

**PRODUCT SPECIFICATIONS**

Quartz Luxe® Black Silicone 11-7/8" x 18-1/4" x 3/8" Drying Rack.  
Overall dimensions are 18-1/4" x 11-7/8" x 3/8". Made of Stainless Steel.

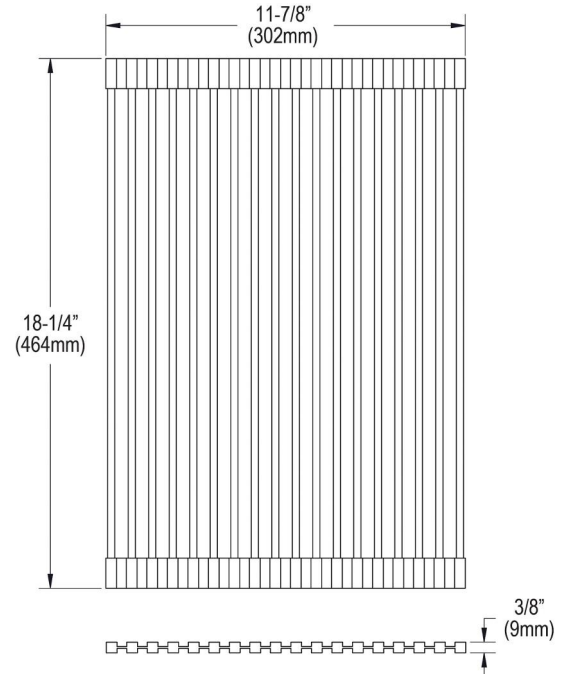
|                         |                          |
|-------------------------|--------------------------|
| <b>Material:</b>        | Stainless Steel          |
| <b>Finish:</b>          | Black (BK)               |
| <b>Dimensions:</b>      | 18-1/4" x 11-7/8" x 3/8" |
| <b>Shipping Weight:</b> | 3 lbs.                   |

- **DUAL-PURPOSE CUTTING BOARDS:** Rest boards on interior tier to prep. Rotate boards on upper tier to cover sink and extend countertop while entertaining
- **MULTIPURPOSE:** Use to dry glassware, dishes, fruits and vegetables or use it as a trivet
- **LOW PROFILE:** Sleek design can be conveniently rolled up when not in use
- **NON-SLIP:** Silicone material prevents slipping, keeping drying items secure when in use
- **HEAT SAFE:** Made of steel and silicone, drying rack can handle temperatures up to 365° F
- **DISHWASHER SAFE:** Fits inside the dishwasher for convenient cleaning



A Century of Tradition and Quality.  
For more than 100 years, Elkay has been making innovative products and providing exceptional customer care. We take pride in offering plumbing products that make life easier, inspire change and leave the world a better place.

[Clean and Care Manual \(PDF\)](#)  
[Clean and Care Manual \(PDF\)](#)  
[Warranty \(PDF\)](#)



PART: \_\_\_\_\_ QTY: \_\_\_\_\_

PROJECT: \_\_\_\_\_

CONTACT: \_\_\_\_\_

DATE: \_\_\_\_\_

NOTES: \_\_\_\_\_

APPROVAL: \_\_\_\_\_

*In keeping with our policy of continuing product improvement, Elkay reserves the right to change product specifications without notice. Please visit [elkay.com](http://elkay.com) for the most current version of Elkay product specification sheets. This specification describes an Elkay product with design, quality, and functional benefits to the user. When making a comparison of other producers' offerings, be certain these features are not overlooked.*