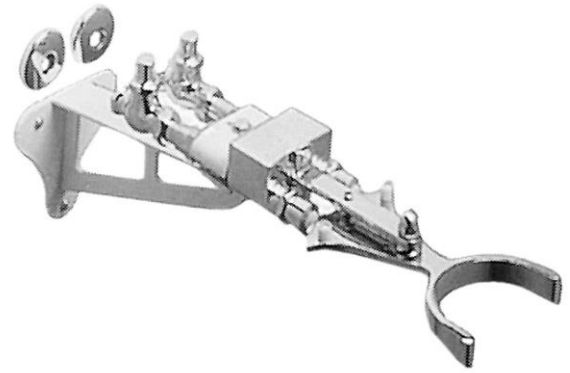


PRODUCT SPECIFICATIONS

Knee Action Valve with Mounting Package. Overall dimensions are 13-1/2" x 6" x 5-1/2".

Finish:	Chrome (CR)
Dimensions:	13-1/2" x 6" x 5-1/2"
Shipping Weight:	14 lbs.

- Chrome plated
- Knee-operated valve
- Wall mount
- 1/2" female I.P.S. inlets and 3/8" I.P.S. spout outlet, with enameled iron wall bracket and mounting package
- Mounting package includes 2 stops, 2 valves and 2 wall flanges

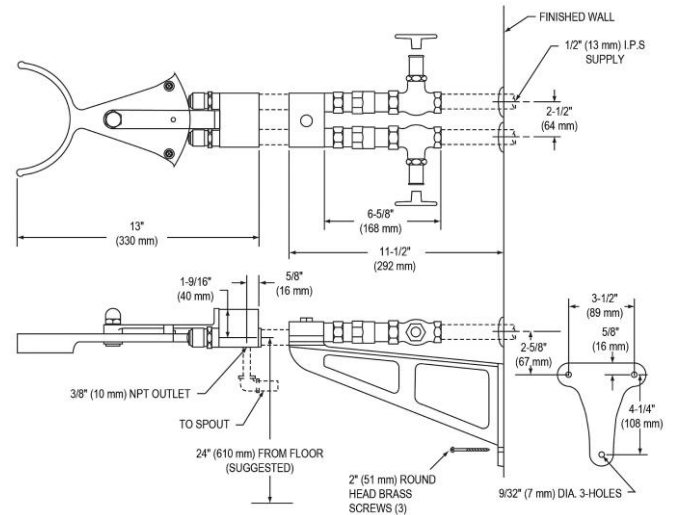


A Century of Tradition and Quality.

For more than 100 years, Elkay has been making innovative products and providing exceptional customer care. We take pride in offering plumbing products that make life easier, inspire change and leave the world a better place.

[Clean and Care Manual \(PDF\)](#)

[Warranty \(PDF\)](#)



PART: _____ QTY: _____

PROJECT: _____

CONTACT: _____

DATE: _____

NOTES: _____

APPROVAL: _____

In keeping with our policy of continuing product improvement, Elkay reserves the right to change product specifications without notice. Please visit elkay.com for the most current version of Elkay product specification sheets. This specification describes an Elkay product with design, quality, and functional benefits to the user. When making a comparison of other producers' offerings, be certain these features are not overlooked.