

**PRODUCT SPECIFICATIONS**

3-1/2" Drain Fitting Lever Operated. Overall dimensions are 4-7/16" x 4-7/16" x 8-15/16". Made of Stainless Steel.

<b>Material:</b>	Stainless Steel
<b>Finish:</b>	Polished Stainless Steel
<b>Dimensions:</b>	4-7/16" x 4-7/16" x 8-15/16"
<b>Shipping Weight:</b>	2 lbs.

- 1-1/2" O.D. x 4" chrome-plated brass tailpiece.
- 4-1/2" O.D. top stainless steel flange with brass body.
- Made of strong stainless steel for long-lasting durability.
- Conical strainer basket with flex stem and rubber stopper.



**A Century of Tradition and Quality.**

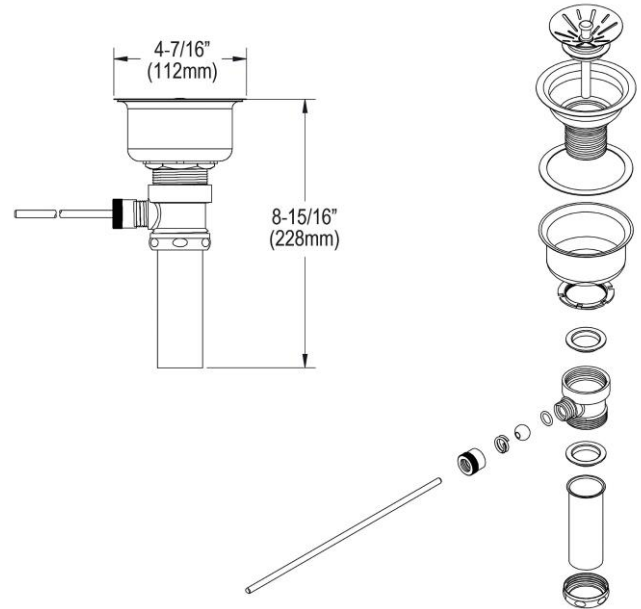
For more than 100 years, Elkay has been making innovative products and providing exceptional customer care. We take pride in offering plumbing products that make life easier, inspire change and leave the world a better place.

**Product Compliance:** ASME A112.18.2/CSA B125.2

[Clean and Care Manual \(PDF\)](#)

[Installation Instructions \(PDF\) - 1000005235](#)

[Warranty \(PDF\)](#)



PART: \_\_\_\_\_ QTY: \_\_\_\_\_

PROJECT: \_\_\_\_\_

CONTACT: \_\_\_\_\_

DATE: \_\_\_\_\_

NOTES: \_\_\_\_\_

APPROVAL: \_\_\_\_\_

*In keeping with our policy of continuing product improvement, Elkay reserves the right to change product specifications without notice. Please visit [elkay.com](http://elkay.com) for the most current version of Elkay product specification sheets. This specification describes an Elkay product with design, quality, and functional benefits to the user. When making a comparison of other producers' offerings, be certain these features are not overlooked.*