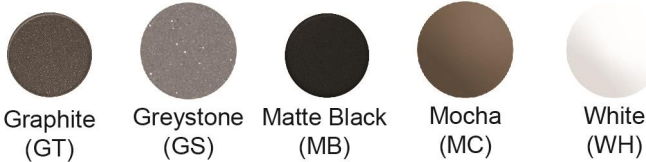


PRODUCT SPECIFICATIONS

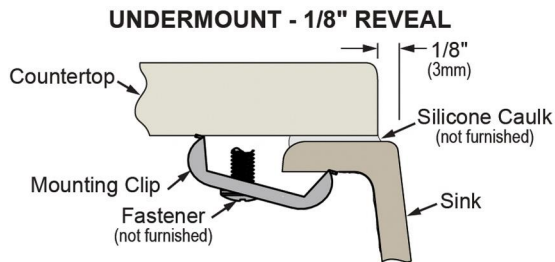
Quartz Classic[®] 29-1/2" x 18-3/4" x 9-1/2", Single Bowl Undermount Sink Kit. Sink is molded with up to 80% natural quartz and high performance acrylic resins that are non-porous providing superior heat, scratch, fade and stain resistance. Naturally sound deadening and Rear Center drain placement.

| | |
|------------------------------|-------------------------------------------------------------------------------------|
| Installation Type: | Undermount |
| Material: | Quartz |
| Finish: | Black (BK), Graphite (GT), Greystone (GS), Matte Black (MB), Mocha (MC), White (WH) |
| Number of Bowls: | 1 |
| Sink Dimensions: | 29-1/2" x 18-3/4" x 9-1/2" |
| Bowl 1 Dimensions: | 27" x 16-1/2" x 9-1/2" |
| Drain Size: | 3-1/2" (89mm) |
| Drain Location: | Rear Center |
| Minimum Cabinet Size: | 33" |
| Mounting Hardware: | Included |
| Template Included: | Yes |
| Cutout Template #: | 2000001454 |

Template is available for download at [elkay.com](#). CAD software will be required to open the template.



Installation Profile:



Designed to affix to the underside of any solid surface countertop.

PART: _____ QTY: _____

PROJECT: _____

CONTACT: _____

DATE: _____

NOTES: _____

APPROVAL: _____



Included with Product: LKOBG2717SS Bottom Grid, LKQS35 Drain, and Cleaning Kit

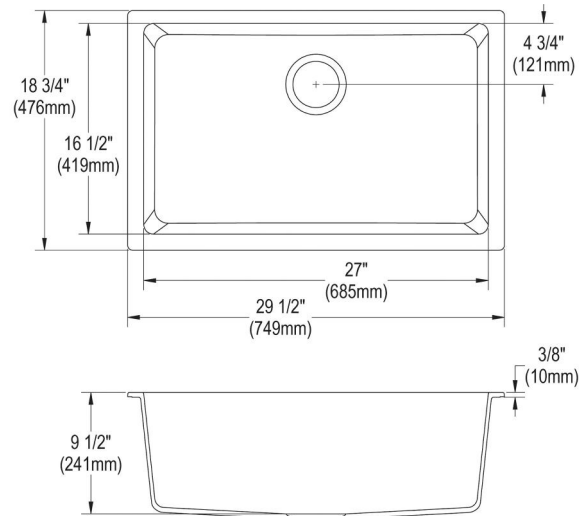
A Century of Tradition and Quality. For more than 100 years, Elkay has been making innovative products and providing exceptional customer care. We take pride in offering plumbing products that make life easier, inspire change and leave the world a better place.



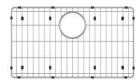


Product Compliance: CSA B45.5/IAPMO Z124
Accessory: ASME A112.18.2/CSA B125.2

Sinks are listed by IAPMO[®] as meeting the applicable requirements of the Uniform Plumbing Code[®], International Plumbing Code[®], and National Plumbing Code of Canada.

[Clean and Care Manual \(PDF\)](#)
[Installation Instructions \(PDF\) - 1000005238](#)
[Warranty \(PDF\)](#)



In keeping with our policy of continuing product improvement, Elkay reserves the right to change product specifications without notice. Please visit [elkay.com](#) for the most current version of Elkay product specification sheets. This specification describes an Elkay product with design, quality, and functional benefits to the user. When making a comparison of other producers' offerings, be certain these features are not overlooked. Latest version of the spec sheet available: https://www.elkayfiles.com/spec-sheets/ELGRU13022C_spec.pdf

| Included Accessories | | |
|-----------------------------|--------------------------------------------------------------------------------------------------------------------|-------------------------------------------------------------------------------------|
| LKOBG2717SS | Stainless Steel 24-5/8" x 14-3/16" x 1-1/4" Bottom Grid Spec Sheet (PDF) |  |
| LKQS35 | Polymer 3-1/2" Drain Fitting with Removable Basket Strainer and Rubber Stopper Spec Sheet (PDF) |  |
| LKCLKIT | Sink Cleaning Kit Spec Sheet (PDF) |  |

In keeping with our policy of continuing product improvement, Elkay reserves the right to change product specifications without notice. Please visit elkay.com for the most current version of Elkay product specification sheets. This specification describes an Elkay product with design, quality, and functional benefits to the user. When making a comparison of other producers' offerings, be certain these features are not overlooked. Latest version of the spec sheet available: https://www.elkayfiles.com/spec-sheets/ELGRU13022C_spec.pdf