

PRODUCT SPECIFICATIONS

Dart Canyon® Stainless Steel 35-7/8" x 27-1/4" x 9-5/8" 1-Hole Single Bowl Farmhouse Workstation Sink with 4-13/16" Deep Work Shelf. Sink is handmade/fabricated from 16 gauge 304 Stainless Steel with a Polished Satin finish, Rear Center drain placement, and Full spray sides and bottom with Sides and Bottom pads.



Included with Product: CTXBG3113R bottom grid, CTXDC0606 bottom grid drain cover, LKDD deep strainer drain

A Century of Tradition and Quality. For more than 100 years, Elkay has been making innovative products and providing exceptional customer care. We take pride in offering plumbing products that make life easier, inspire change and leave the world a better place.



Product Compliance: ADA & ICC A117.1
ASME A112.19.3/CSA B45.4
Accessory: ASME A112.18.2/CSA B125.2

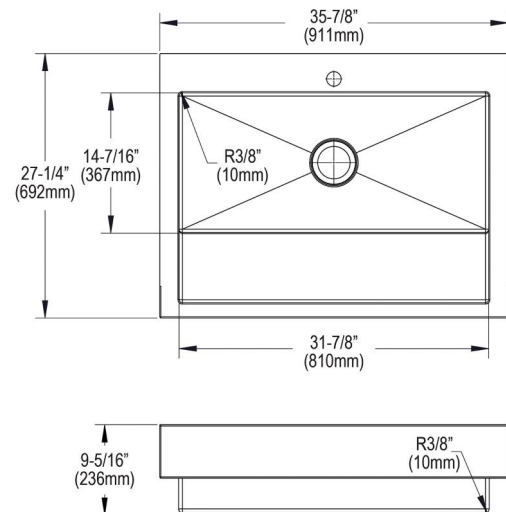


Sinks are listed by IAPMO® as meeting the applicable requirements of the Uniform Plumbing Code®, International Plumbing Code®, and National Plumbing Code of Canada.



Complies with ADA & ICC A117.1 accessibility requirements when installed according to the requirements outlined in these standards.

[Clean and Care Manual \(PDF\)](#)
[Installation Instructions \(PDF\) - 100005532](#)
[Warranty \(PDF\)](#)



In keeping with our policy of continuing product improvement, Elkay reserves the right to change product specifications without notice. Please visit elkay.com for the most current version of Elkay product specification sheets. This specification describes an Elkay product with design, quality, and functional benefits to the user. When making a comparison of other producers' offerings, be certain these features are not overlooked. Latest version of the spec sheet available: https://www.elkayfiles.com/spec-sheets/ELDSSF36279DBG_spec.pdf

PART: _____ QTY: _____

PROJECT: _____

CONTACT: _____

DATE: _____

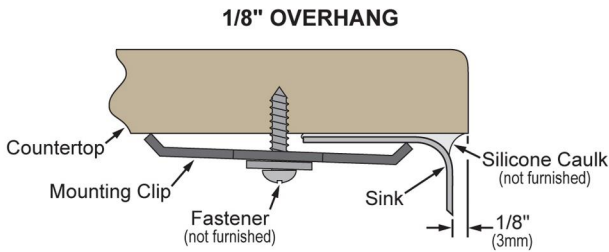
NOTES: _____

APPROVAL: _____

In keeping with our policy of continuing product improvement, Elkay reserves the right to change product specifications without notice. Please visit elkay.com for the most current version of Elkay product specification sheets. This specification describes an Elkay product with design, quality, and functional benefits to the user. When making a comparison of other producers' offerings, be certain these features are not overlooked. Latest version of the spec sheet available: https://www.elkayfiles.com/spec-sheets/ELDSSF36279DBG_spec.pdf

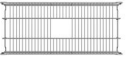

Installation Type:	Farmhouse, Sink Kits
Material:	304 Stainless Steel
Special Features:	Work Shelf Workstation
Finish:	Polished Satin
Gauge:	16
Sound Deadening:	Full spray sides and bottom with Sides and Bottom pads
Number of Bowls:	1
Sink Dimensions:	35-7/8" x 27-1/4" x 9-5/8"
Bowl 1 Dimensions:	31-7/8" x 14-7/16" x 9-5/8"
Drain Size:	3-1/2" (89mm)
Drain Location:	Rear Center
Minimum Cabinet Size:	36"
Mounting Hardware:	Part # 54300308 included
Template Included:	No

Installation Profile:





Designed to affix to the underside of any solid surface countertop.

Included Accessories

CTXBG3113R	Dart Canyon® Stainless Steel 30-1/2" x 13" x 4-3/8" Reversible Bottom Grid Spec Sheet (PDF)	
CTXDC0606	Dart Canyon® Stainless Steel 5-1/8" x 5-1/4" x 7/8" Bottom Grid Drain Cover Spec Sheet (PDF)	

Optional Accessories

LKC0722LSS	Dart Canyon® Stainless Steel 6-7/16" x 21-1/2" x 2-1/2" Colander Spec Sheet (PDF)	
LKDD	3-1/2" Drain Fitting Deep Strainer Basket Spec Sheet (PDF)	

In keeping with our policy of continuing product improvement, Elkay reserves the right to change product specifications without notice. Please visit elkay.com for the most current version of Elkay product specification sheets. This specification describes an Elkay product with design, quality, and functional benefits to the user. When making a comparison of other producers' offerings, be certain these features are not overlooked. Latest version of the spec sheet available: https://www.elkayfiles.com/spec-sheets/ELDSSF36279DBG_spec.pdf