

**PRODUCT SPECIFICATIONS**

Dart Canyon® Stainless Steel 6-7/16" x 11-7/8" x 2-1/2" Colander.

Overall dimensions are 14-1/8" x 6-3/4" x 3-1/8".

Made of Stainless Steel

Custom designed colanders are:

- Ideal for straining or draining fruits and vegetables.
- Custom designed to fit your sink.

<b>Material:</b>	Stainless Steel
<b>Dimensions:</b>	14-1/8" x 6-3/4" x 3-1/8"

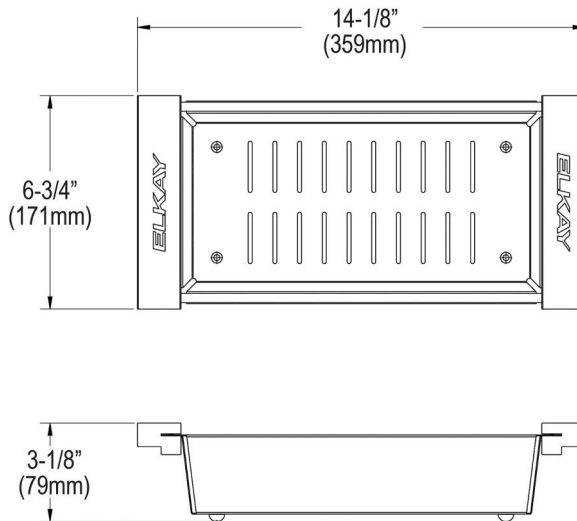


**A Century of Tradition and Quality.**

For more than 100 years, Elkay has been making innovative products and providing exceptional customer care. We take pride in offering plumbing products that make life easier, inspire change and leave the world a better place.

[Clean and Care Manual \(PDF\)](#)

[Warranty \(PDF\)](#)



PART: \_\_\_\_\_ QTY: \_\_\_\_\_

PROJECT: \_\_\_\_\_

CONTACT: \_\_\_\_\_

DATE: \_\_\_\_\_

NOTES: \_\_\_\_\_

APPROVAL: \_\_\_\_\_

*In keeping with our policy of continuing product improvement, Elkay reserves the right to change product specifications without notice. Please visit [elkay.com](http://elkay.com) for the most current version of Elkay product specification sheets. This specification describes an Elkay product with design, quality, and functional benefits to the user. When making a comparison of other producers' offerings, be certain these features are not overlooked.*

*In keeping with our policy of continuing product improvement, Elkay reserves the right to change product specifications without notice. Please visit [elkay.com](http://elkay.com) for the most current version of Elkay product specification sheets. This specification describes an Elkay product with design, quality, and functional benefits to the user. When making a comparison of other producers' offerings, be certain these features are not overlooked.*