

PRODUCT SPECIFICATIONS

Cane Apron for Contour™ & Soft Sides® Models Black. Overall dimensions are 11-3/4" x 12" x 6-1/4".

Finish:	Black (BK)
Dimensions:	11-3/4" x 12" x 6-1/4"
Shipping Weight:	2 lbs.

Special Note: For use with the Soft Sides & Contour models.

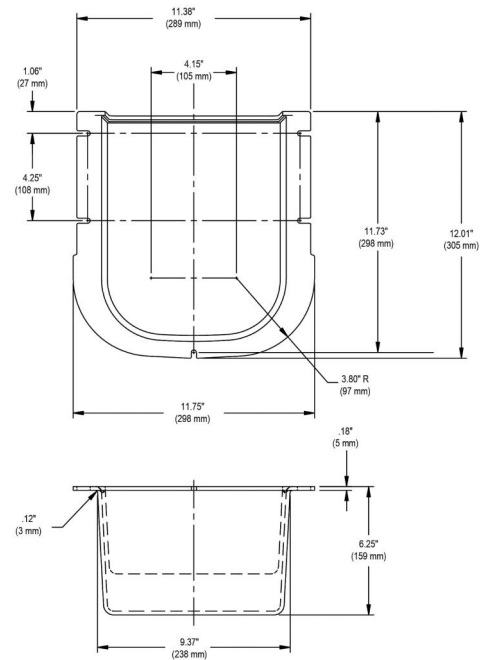
- Cane touch apron designed for use in specific bi-level applications
- For when coolers or bottle fillers are installed on an exposed wall
- ADA compliant when properly installed
- Provides the mandatory 27" (686 mm) floor-to-underside requirement for detection in a circulation path when properly installed
- Neutral black color only



Included with Product: Cane apron assembly

A Century of Tradition and Quality.
For more than 100 years, Elkay has been making innovative products and providing exceptional customer care. We take pride in offering plumbing products that make life easier, inspire change and leave the world a better place.

[Installation Instructions \(PDF\) - 97257C](#)



PART: _____ QTY: _____

PROJECT: _____

CONTACT: _____

DATE: _____

NOTES: _____

APPROVAL: _____

In keeping with our policy of continuing product improvement, Elkay reserves the right to change product specifications without notice. Please visit elkay.com for the most current version of Elkay product specification sheets. This specification describes an Elkay product with design, quality, and functional benefits to the user. When making a comparison of other producers' offerings, be certain these features are not overlooked.