

# Edwards® 107DV2BRIN Series Weatherproof AdaptaBeacon® Rotating Lights For Hazardous Locations



## Features

- Bracket mount
- Weatherproof
- High impact glass dome in five colors
- Dome guard (optional)
- 120V AC units provided with 40 watt halogen bulb

## Description

Edwards Hazardous Location AdaptaBeacon Rotating Lights are designed for installation in hazardous location environments. Rigid specifications and state-of-the-art technology provide for high visual output and low maintenance.

## Agency Approvals

- UL Listed for Class I, Division 2, Groups A, B, C & D
- cUL
- NEMA Type 3R and 4 Rated
- Marine Rated

## Specifications

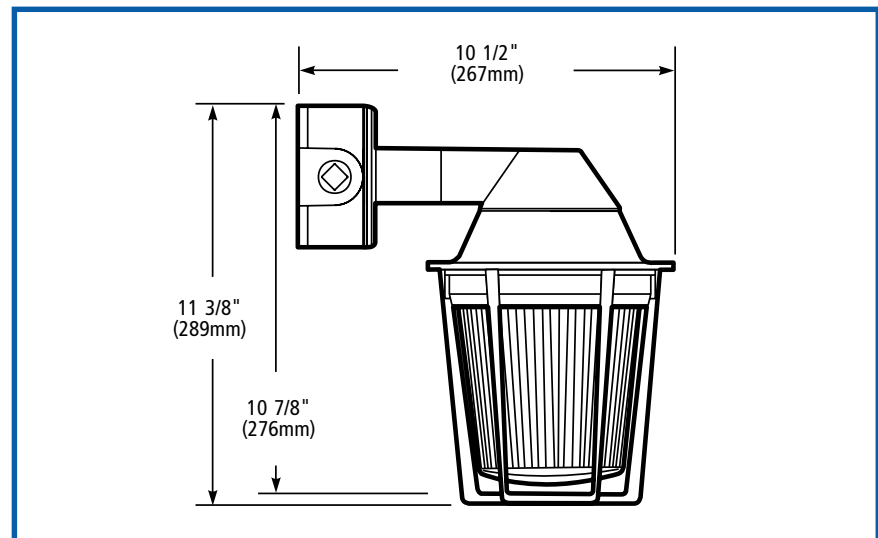
- 75 rotations per minute
- Available in six colors: red, amber, blue, green and clear

## Installation

Designed for bracket hazardous location installation on a 4" (102mm) square mounting box. May be mounted with the dome facing up or down.

## Applications

Typical industrial and commercial applications include: food processing plants, refineries, mines, tankers, laboratories, sewage treatment plants, water and filtration plants, and chemical plants.



Cat. No.	Lens Color	Electrical Rating	Replacement Domes	Replacement Bulb
107DV2BRINHR-N5	Red	120V AC 50/60 Hz 0.35 Amp	EDVPGL1RE	50LMP-40WH
107DV2BRINHA-N5	Amber		EDVPGL1AM	40 Watt Bulb
107DV2BRINHB-N5	Blue		EDVPGL1BL	265 lumens*
107DV2BRINHG-N5	Green		EDVPGL1GR	25,000 hours**
107DV2BRINHC-N5	Clear		EDVPGL1HR	
107DV2BRINR-R5	Red	240V AC 50/60 Hz 0.1 Amp	EDVPGL1RE	P-041917-0039 or
107DV2BRINA-R5	Amber		EDVPGL1AM	Industry Trade No.
107DV2BRINB-R5	Blue		EDVPGL1BL	25T8/240V/DC/CL
107DV2BRING-R5	Green		EDVPGL1GR	25 Watt Bulb
107DV2BRINC-R5	Clear		EDVPGL1HR	232 lumens* 120 hours**

\*Manufacturer's lumen rating

\*\*Projected lamp life based on manufacturer's calculated lamp life at 65 fpm and 50% duty cycle.