

Speakers

Re-Entrant

Millennium Class

The 5552 speaker is a high-efficiency, double re-entrant loudspeaker that delivers 15-watts of continuous power. It is suitable for use in fire alarm and life safety applications and is UL 1480 listed as a fire protective signaling speaker.

The 5552 speaker includes a versatile, two-way, 25/70.7 V line transformer that meets a variety of distributed system needs. The transformer is adjustable by means of a convenient seven-position, watts/impedance selection switch that is screwdriver adjustable and includes a protective cover with built-in cable strain relief.

The 5552 speaker includes a mounting bracket that, with a single adjustment, provides positioning in both the vertical and horizontal planes. It also allows the 5552 to be installed on conventional surfaces or strap-mounted on I-beams or pillars.

Features and Specifications

- High intelligibility for voice and tone signaling
- 120dB at 1 meter/110dB at 10 ft.
- Suitable for installation on supervised circuits
- Suitable for use in indoor and outdoor applications
- Available in gray or red finish
- Epoxy-coated metal and ABS plastic components
- Includes 25/70.7 transformer for line applications
- Sensitivity:
 - 120dB at 15 watts (peak)/1 meter
 - 116dB at 15 watts/1 meter (avg.)
 - 106dB at 1 watt/1 meter (avg.) 500-600 Hz
- 1/2" conduit connection
- 70° dispersion
- Adjustable bracket for precise positioning
- Operating temperature range: -30°F to 150°F (-35°C to 66°C)

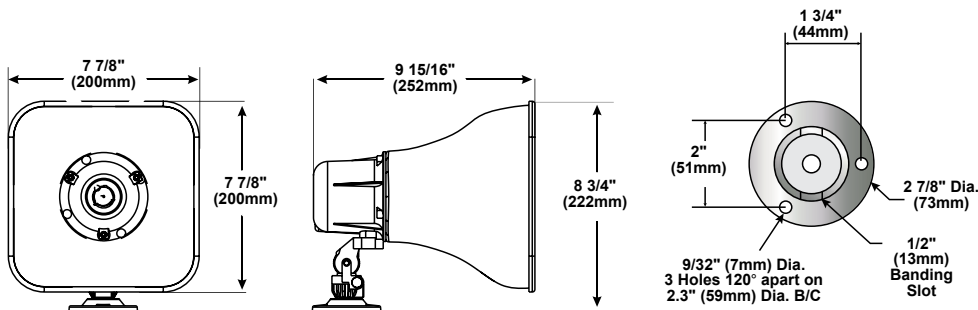


Ordering Information

Description	Cat. No.	Line Voltage	Power	Power Taps	RMS Frequency Response	Capacitor Rating	dB at 1m/10ft.	Color
Re-entrant Speakers	5552-15W-R	25/70.7	15 W	1, 2, 3.8, 7.5, 15 @ 70.7V	400 - 14,000 Hz	5 mfd	120/110	Red
	5552-15W-G	25/70.7	15 W	1, 2, 3.8, 7.5, 15 @ 70.7V	400 - 14,000 Hz	5 mfd	120/110	Gray

Weights and Dimensions

Cat. No.	Approx. Net Weight (lb.)	Approx. Shipping Weight (lb.)
5552-15W-R	3.81	4.63
5552-15W-G	3.81	4.63

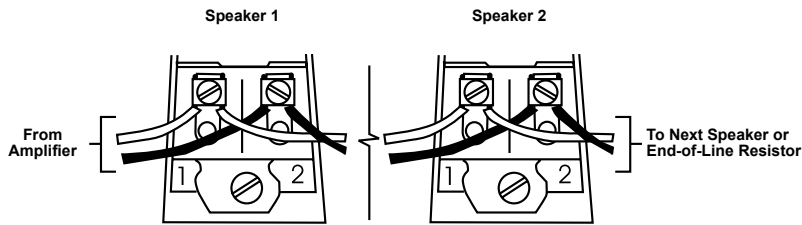


Speakers

Re-Entrant

Millennium Class

Wiring



Configuration

Switch Position	Impedance	25V Line	dB at 1m/10 ft. ¹	70V Line	dB at 1m/10 ft. ¹
1	5.0 K	—	—	0.9 W	103/93
2	2.5 K	—	—	1.8 W	106/96
3	1.3 K	0.48 W	100/90	3.8 W	108/98
4	666	0.94 W	103/93	7.5 W	111/101
5	333	1.8 W	106/96	15.0 W	113/103
6	89	7.5 W	111/101	Do Not Use on 70 V	
7	45	15.0 W	113/103		

¹UL 3dB increment rating

NOTE: Terminal 2 is the positive terminal

