

Beacons

Multi-Mode LED

48XBR Series



Edwards 48XBR Series XTRA-BRITE™ LED beacons are multi-mode signaling devices, available in steady-on with the built-in option of switching to flashing mode via dipswitch. These signals are suitable for use in indoor and outdoor applications or applications where a NEMA Type 4X enclosure is required. The base is manufactured from a polycarbonate/ABS blend, and the lens is made of shatter resistant polycarbonate. The unit can be panel or conduit mounted.

Features and Specifications

- Multi-mode (flashing or steady-on)
- LED light source
- Flash rate 65 fpm
- Available in gray
- Suitable for use in indoor and outdoor applications
- Option for panel or conduit mounting
- NEMA Type 4X enclosure
- Operating temperature range: -31°F to 150°F (-35°C to 66°C)



4.28"



Ordering Information

Description	Cat. No. ¹	Operating Voltage ²	Current	LED Colors	Projected LED Life (L70) ³	Replacement Lens
Multi-mode Beacon LED AC	48XBRMA120A	120V AC	0.108 A	Amber	148,000 hours	96-LA
	48XBRMB120A	120V AC	0.108 A	Blue	148,000 hours	96-LB
	48XBRMG120A	120V AC	0.108 A	Green	148,000 hours	96-LG
	48XBRMR120A	120V AC	0.108 A	Red	148,000 hours	96-LR
	48XBRMW120A	120V AC	0.108 A	White	148,000 hours	96-LC
Multi-mode Beacon LED DC	48XBRMA24D	24V DC	0.215 A	Amber	148,000 hours	96-LA
	48XBRMB24D	24V DC	0.215 A	Blue	148,000 hours	96-LB
	48XBRMG24D	24V DC	0.215 A	Green	148,000 hours	96-LG
	48XBRMR24D	24V DC	0.215 A	Red	148,000 hours	96-LR
	48XBRMW24D	24V DC	0.215 A	White	148,000 hours	96-LC

¹DC models provided w/surface mount kit

²AC voltage frequency is 50/60 Hz

³LED Manufacturer's Median Projected LED Life for LUXEON Rebel LEDs (L70 at 85°C and T_{junction} 98°C). Actual LED life will vary inversely with ambient temperature, voltage, driver current, junction temperature and duty-cycle at which the signaling device is operated. Please refer to <http://www.philipslumileds.com/pdfs/WP15.pdf>.

Accessories

Description	Cat. No.
Gasket Kit suitable for outdoor surface installation – AC models	GSK-KIT
Corner Mount Bracket	CBR
Wall Mount Bracket	WBR



GSK-KIT
Gasket Kit



CBR
Corner Mount Bracket



WBR
Wall Mount Bracket



Beacons

Multi-Mode LED

48XBR Series

VISUAL SIGNALS

Signal Input Load Characteristics

These devices may be operated by PLCs with output characteristics that match the input load requirements of the signal.

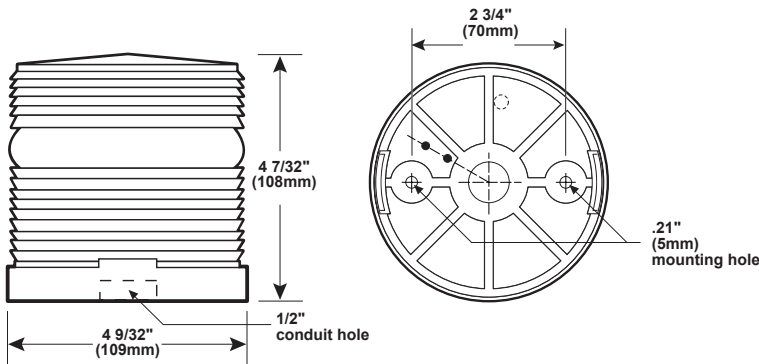
Cat. No.	Operating Voltage	Max. Off State Leakage Current (A)	Continuous On Current (A)	Surge (inrush / duration)
48XBRM*24D	24V DC	0.005	0.215	34.5 A / 52 microseconds
48XBRM*120A	120V AC 60 Hz	0.005	0.108	37.5 A / 164 microseconds

*Letter in this position designates LED color: A - amber, B - blue, G - green, R - red, or W - white

Weights and Dimensions

Cat. No.	Approx. Net Weight (lb.)	Approx. Shipping Weight (lb.)
48XBRM*120A	1.20	1.40
48XBRM*24D	1.20	1.40
GSK-KIT	0.70	1.00
CBR	4.00	4.20
WBR	2.30	2.50

*Letter in this position designates LED color: A - amber, B - blue, G - green, R - red, or W - white



Use Cat. No. GSK-KIT gasket kit suitable for outdoor surface mount installation on AC units