

StackLight™ 200 Class 70mm Clearview™



The Edwards 200 Class 70mm ClearView™ LED StackLight is a versatile multi-mode signaling device that may contain up to five light modules, or four light modules with one sounder module in a single, integrated stack. The sounder module has been designed so that it is always in the top position.

The lens modules are clear, and are available with red, amber, blue, green and white LEDs. Options for steady-on or multi-mode are available. The lenses are made from a self-extinguishing polycarbonate material and are scratch and impact resistant.

Features and Specifications

- Steady-on or multi-mode (flashing or steady-on)
- LED light source
- Clear lens
- Interlocking system for quick assembly
- Available in gray or black
- Two optional NEMA Type 3R, IP54 rated sounders available:
 - Piezoelectric: 6 selectable tones
 - Magnetodynamic: 32 selectable tones
- Threaded footing must be ordered separately (not included with 270BC*)
- Additional mounting options available
- NEMA Type 4X rated
- IP66 rated base and light modules
- Operating temperature range: -22°F to 140°F (-30°C to 60°C)



←2.95"→



Ordering Information

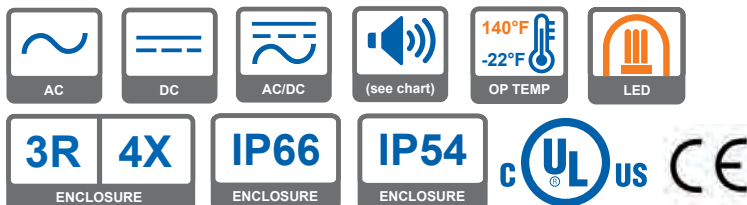
Description	Cat. No.*	Operating Temp.
Wiring Base and Cover - Gray	270BC ¹	-22°F to 140°F (-30°C to 60°C)

Module Type	Cat. No.*	Operating Voltage ²	Current	LED Color	Operating Temp.	
Gray Integrated LED Steady-on	270CLEDSA24AD	24V AC	0.085 A	Amber	-22°F to 122°F (-30°C to 50°C)	
		24V DC	0.065 A			
	270CLEDSR24AD	24V AC	0.085 A	Red	-22°F to 122°F (-30°C to 50°C)	
		24V DC	0.065 A			
	270CLEDSB24AD	24V AC	0.075 A	Blue	-22°F to 122°F (-30°C to 50°C)	
		24V DC	0.065 A			
	270CLEDSG24AD	24V AC	0.075 A	Green	-22°F to 122°F (-30°C to 50°C)	
		24V DC	0.065 A			
	270CLEDSW24AD	24V AC	0.075 A	White	-22°F to 122°F (-30°C to 50°C)	
		24V DC	0.065 A			
	270CLEDSA120A	270CLEDSA120A	120V AC	0.035 A	Amber	-22°F to 122°F (-30°C to 50°C)
			120V AC	0.035 A	Red	
	270CLEDSB120A	270CLEDSB120A	120V AC	0.035 A	Blue	-22°F to 122°F (-30°C to 50°C)
			120V AC	0.035 A	Green	
270CLEDSG120A	270CLEDSG120A	120V AC	0.035 A	Green	-22°F to 122°F (-30°C to 50°C)	
		120V AC	0.035 A	White		

*NOTE: Add "B" to end of the catalog number for Black unit.

¹Threaded footing (270THF) is not included. Order separately.

²AC voltage frequency is 50/60 Hz



StackLight™

200 Class

70mm Clearview™

VISUAL SIGNALS

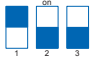

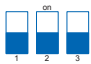
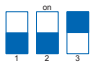


70mm Magnetodynamic (MDA) Acoustic Module

Sound Type	12V DC		24V DC		12V AC		24V AC		120V AC		240V AC		
	F (Hz) ¹	A	dB	A	dB	A	dB	A	dB	A	dB	A	dB
Bi-tone	450/540	0.100	89	0.120	96	0.340	93	0.380	98	0.055	96	0.035	97
	600/700	0.125	90	0.150	97	0.380	93	0.450	99	0.065	97	0.035	98
	600/700	0.125	90	0.145	97	0.390	93	0.450	99	0.065	97	0.035	98
	800/970	0.170	93	0.190	100	0.485	95	0.550	101	0.075	99	0.040	100
	2400/2850	0.335	98	0.450	106	0.945	101	0.1060	107	0.0105	102	0.060	103
Bi-tone with pause	600/700	0.030	90	0.045	96	0.120	92	0.170	98	0.055	97	0.030	98
	1200/1700	0.045	95	0.060	99	0.170	98	0.230	101	0.060	99	0.035	100
	2400/2830	0.070	100	0.090	105	0.210	103	0.295	106	0.085	102	0.045	102
Fast bi-tone	800/970	0.170	93	0.190	100	0.485	95	0.555	101	0.075	99	0.040	100
Multi-tone	1000/1700	0.150	95	0.185	100	0.445	98	0.555	101	0.070	99	0.040	99
Multi-tone (buzzer)	800/970	0.110	93	0.140	97	0.370	96	0.440	99	0.060	97	0.035	98
	2400/2830	0.290	100	0.335	104	0.755	103	0.875	106	0.090	102	0.050	102
Slow multi-tone	800/970	0.110	95	0.140	99	0.350	98	0.440	101	0.060	99	0.035	100
	2400/2830	0.290	101	0.335	106	0.720	104	0.855	107	0.095	103	0.050	104
Fast multi-tone	800/970	0.110	93	0.140	98	0.350	96	0.435	99	0.060	97	0.035	98
	2400/2830	0.290	101	0.335	105	0.725	103	0.865	106	0.095	102	0.050	103
Intermittent multi-tone	500/1200	0.085	96	0.110	99	0.280	98	0.355	101	0.065	99	0.035	100
Descending multi-tone	1200/500	0.095	94	0.125	98	0.315	97	0.385	100	0.060	98	0.035	99
Evacuation	430/560	0.110	87	0.125	96	0.345	89	0.400	97	0.060	96	0.035	96
Intermittent	660	0.045	90	0.065	94	0.190	92	0.250	96	0.045	95	0.025	95
	660	0.045	91	0.070	95	0.190	93	0.240	97	0.055	96	0.030	96
	970	0.030	92	0.050	96	0.130	94	0.185	97	0.050	96	0.030	97
Fast intermittent	2830	0.200	97	0.240	102	0.600	100	0.705	103	0.080	99	0.045	99
	2850	0.170	96	0.205	101	0.550	99	0.585	102	0.075	99	0.040	99
Slow intermittent	660	0.050	91	0.070	95	0.175	93	0.240	97	0.055	96	0.030	96
	970	0.070	93	0.095	97	0.230	95	0.295	98	0.065	96	0.035	97
Linear	300	0.040	87	0.060	91	0.170	91	0.220	93	0.040	93	0.025	93
	500	0.065	90	0.090	94	0.235	94	0.290	96	0.050	95	0.030	96
	1000	0.125	92	0.160	97	0.385	94	0.485	98	0.065	96	0.035	97
	2830	0.320	98	0.360	102	0.770	100	0.915	104	0.095	99	0.055	100
Modulated	1000/1700	0.150	97	0.185	102	0.440	100	0.550	103	0.075	101	0.040	101
	1400/1600	0.165	95	0.205	100	0.470	98	0.595	102	0.075	99	0.040	99

¹For AC voltages only

StackLight™ 200 Class 70mm Clearview™

70mm Piezoelectric (PZO) Acoustic Module Dip Switch Settings

Sound Type	Diagram	F (Hz) ¹	12V DC/V AC		24V DC/V AC		48V DC/V AC		120V AC		240V AC	
			A	dB at 1m	A	dB at 1m	A	dB at 1m	A	dB at 1m	A	dB at 1m
			on									
Continuous reduced output		50/60	0.003	75	0.006	81	0.013	83	0.004	75	0.010	81
Continuous maximum output		50/60	0.003	79	0.006	85	0.013	89	0.004	81	0.010	87
Slow intermittent reduced output		50/60	0.003	72	0.006	77	0.013	79	0.004	76	0.010	78
Slow intermittent maximum output		50/60	0.003	77	0.006	84	0.013	86	0.004	81	0.010	85
Fast intermittent reduced output		50/60	0.003	74	0.006	79	0.013	81	0.004	76	0.010	79
Fast intermittent maximum output		50/60	0.003	78	0.006	85	0.013	87	0.004	81	0.010	85

¹For AC voltages only

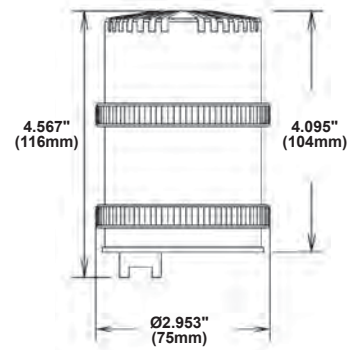
StackLight™ 200 Class 70mm Clearview™

Weights and Dimensions

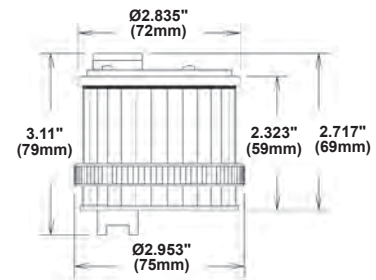
Cat. No.	Approx. Net Weight (lb.)	Approx. Shipping Weight (lb.)
270BC	0.27	0.83
270CLEDS*24AD	0.24	0.81
270CLEDS*120A	0.24	0.81
270CLEDM*120A	0.24	0.81
270CLEDM*24AD	0.24	0.81
270PZO1248AD	0.29	1.04
270PZO120240A	0.29	1.04
270MDA1224AD	0.53	1.28
270MDA120A	0.53	1.28
270MDA240A	0.02	0.09
270JBX	0.22	0.09
270KIT	0.13	1.10
270TEP	0.07	0.22
270THF	0.07	0.29
270TWM	0.09	0.59
270TWM2	0.11	0.62
270FLXT	0.57	1.30
270SSXT100	0.31	1.28
270SSXT200	0.40	1.30
270SSXT400	0.62	1.50

*Letter in this position designates lens color: A - amber, B - blue, G - green, R - red, or W - clear

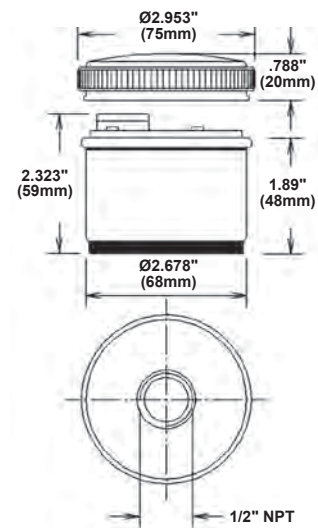
Acoustic Module



Light Module



Base and Cover



1
VISUAL SIGNALS