

Clocks

Digital

1900 Series



The Edwards 1900MS12-24 is an accurate long-life LED time display piece that can be operated in a synchronized clock system. It reports time in 12 hour or 24 hour formats with hour and minute that may be dimmed with a switch. An 18 foot cord is connected to a Class 2 transformer which plugs into a standard wall outlet. It is suitable for use in indoor applications.

Features and Specifications

- Built-in serial interface for networking and time synchronization in a clock system
- Field selectable 12 or 24 hour format
- Hour and minute display
- 100,000 hour LED lamp technology
- Two week memory retention
- Master/Satellite field selectable
- Two levels of brightness
- Suitable for use in indoor applications
- Operating temperature range: 32° to 120°F (0°C to 49°C)

Ordering Information

Description	Cat. No.	Character Height (in.)	Max. Viewing Distance (ft.)
LED Wall Clock	1900MS12-24	4	200

Weights and Dimensions

Cat. No.	Approx. Shipping Weight (lb.)	Dimensions	
		Height (in.)	Width (in.)
1900MS12-24	3.4	7.10	13.50



*Transformer only

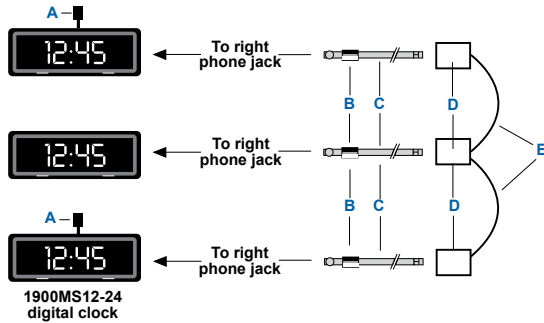
Clocks

Digital

1900 Series

Technical Information

Connecting Multiple Clocks without a PC



NOTE
When connecting multiple clocks, one clock must be set to Master and the rest to SATELLITE.

Accessories

Ref.	Description	Cat. No.
A	End-of-line (EOL) terminator. An EOL must be plugged into the RS232 or TTL plug on the last sign.	MCN485EOLTCB
B	Ferrite (ferrite end towards sign)	(Included with Item C)
C	8-foot, 4-conductor RS485 cable	MCN485-RJ11-8
	1-foot, 4-conductor RS485 cable	MCN485-RJ11-1
D	Modular Network Adapter	MCNMNARJ11485
E	RS485 cable, 100 foot spool	MCN485-100