

Beacons: Explosionproof Rotating Halogen 116 Series

Edwards 116EXMRIN Series rotating beacons are explosionproof, signaling devices suitable for use in hazardous indoor or outdoor applications. The housing is cast aluminum with a corrosion resistance epoxy powder coat, and includes a dome guard. The fluted, high-impact glass dome provides even light distribution. The unit can be bracket, ceiling, pendant or stanchion mounted.

Features and Specifications

- Halogen light source
- High impact glass dome, dome guard included
- Quick connect for easy assembly and installation
- Suitable for indoor or outdoor hazardous applications
- 75 rotations per minute
- Bracket, ceiling, pendant or stanchion mounting options (ordered separately)
- NEMA Type 3R and 4X enclosure
- Marine rated
- Explosionproof: Class I, Div 2, Groups A and B; Class I, Div 1 and 2, Groups C and D; Class II and III, Div 1, Groups E, F and G; Class II and III, Div 2, Group G



7.25"



NOTE: Mounting options not included (ordered separately)

Ordering Information

Description	Cat. No.	Operating Voltage ¹	Current	Lens Colors	Peak Candela	Replacement		
						Dome	Inner Lens	Lamp
Rotating Light Halogen	116EXMRINHA-N5	120V AC	0.35 A	Amber	3,328	116-Globe	116-RIN-LA	
	116EXMRINHB-N5	120V AC	0.35 A	Blue	3,328	116-Globe	116-RIN-LB	
	116EXMRINHC-N5	120V AC	0.35 A	Clear	3,328	116-Globe	116-RIN-LC	50LMP-40WH
	116EXMRINHG-N5	120V AC	0.35 A	Green	3,328	116-Globe	116-RIN-LG	25,000 hours. ²
	116EXMRINHM-N5	120V AC	0.35 A	Magenta	3,328	116-Globe	116-RIN-LM	
	116EXMRINHR-N5	120V AC	0.35 A	Red	3,328	116-Globe	116-RIN-LR	

¹AC voltage frequency is 50/60 Hz

²Projected life based on manufacturer's calculated lamp life.

Required Mounting Options

Description	Cat. No.	Conduit Size
Wall Bracket Mounting Elbow	116EX-B	N/A
Ceiling/Wall Mounting Module	116EX-C	3/4" NPT
Pendant Mounting Module	116EX-P	3/4" NPT
Stanchion Mounting Module	116EX-S	1 1/4" NPT

Hazardous Location Listings

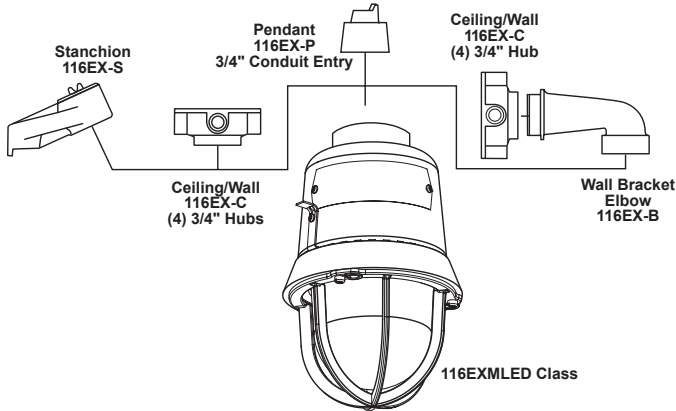
Cat. No.	Ambient Temp.	Supply Wire Temp. Marking	Operating Temperature			
			Class I, Div. 2 Groups A, B	Class I, Div. 1 & 2 Groups C, D	Class II & III, Div. 1 Groups E, F, G	Class II & III, Div. 2 Group G
116EXMRINH*-N5	40°C	75°C	T1 (450°C)	T6 (85°C)	T4A (120°C)	T4A (120°C)
	55°C	90°C	T1 (450°C)	T5 (100°C)	T4 (135°C)	T4 (135°C)
	65°C	105°C	T1 (450°C)	T5 (100°C)	T4 (135°C)	T4 (135°C)

*Letter in this position designates lens color: A - amber, B - blue, C - clear, G - green, M - magenta, or R - red



Beacons: Explosionproof Rotating Halogen 116 Series

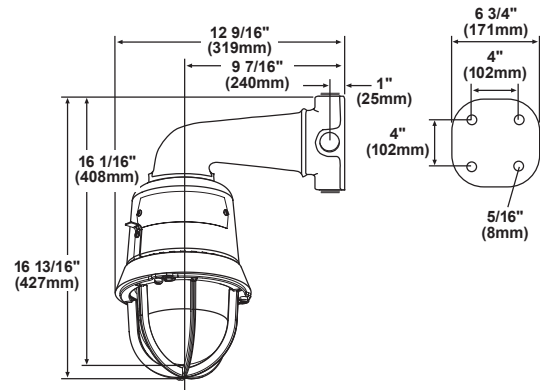
Mounting Options



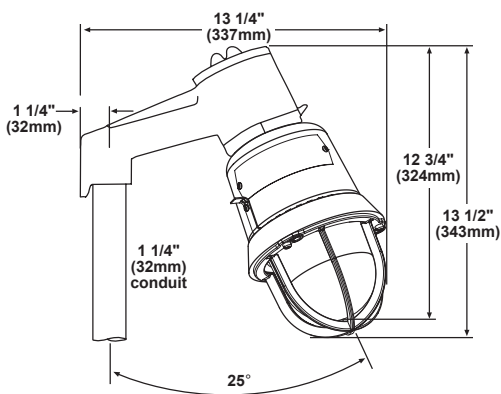
Weights and Dimensions

Cat. No.	Approx. Net Weight (lb.)	Approx. Shipping Weight (lb.)
116EXMRINHA-N5	11.60	13.00
116EXMRINHB-N5	11.60	13.00
116EXMRINHC-N5	11.60	13.00
116EXMRINHG-N5	11.60	13.00
116EXMRINHM-N5	11.60	13.00
116EXMRINHR-N5	11.60	13.00
116EX-B	2.02	2.28
116EX-C	2.50	2.80
116EX-P	1.10	1.26
116EX-S	2.62	2.90

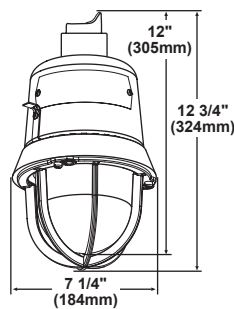
Wall Mount 116EX-B



Stanchion Mount 116EX-S



Pendant Mount 116EX-P



Ceiling Mount 116EX-C

