

Beacons: Explosionproof Multi-Mode LED 116 Series



The 116 Series LED Beacon is suitable for use in explosionproof and hazardous location applications such as oil platforms, refineries, granaries and chemical plants. UL and cUL listed for use in Class 1, Division 1 and 2 applications, this beacon is designed for areas requiring high visibility and notification as well as low maintenance. The long life LEDs reduce maintenance requirements by up to 90% when compared to a Xenon strobe tube. The LED light emits a 360-degree beam of light with 13 user selectable flash patterns in addition to a steady-on mode.

These beacons are UL and cUL listed for outdoor use as NEMA Type 3R, 4X, and Marine Rated enclosures. Mounting options are available (ordered separately) for ceiling, wall, pendant and stanchion mounts. The unit is supplied with a guard installed over the clear dome for additional protection against impact.

Features and Specifications

- Multi-mode LED (steady-on plus thirteen flash patterns)
- LED light source
- Five lens colors
- Ceiling, pendant, wall or stanchion mounting options (ordered separately)
- NEMA Type 3R, 4X and Marine Rated enclosures
- Explosionproof: Class I, Div 1, Groups C and D; Class I, Div 2, Groups A, B, C and D; Class II, Div 1 and 2, Groups E, F and G; Class III, Div 1 and 2



7.25"



NOTE: Mounting options not included (ordered separately)

VISUAL SIGNALS 1

Ordering Information

Description	Cat. No.	Operating Voltage ¹	Current	LED/Lens Colors	Flash Rate
Multi-mode LED	116EXMLEDA-Y6	120-240V AC 125-250V DC	0.215 A 0.176 A	Amber	Adjustable See Flash Mode Selection
	116EXMLEDB-Y6	120-240V AC 125-250V DC	0.215 A 0.176 A	Blue	Adjustable See Flash Mode Selection
	116EXMLEDW-Y6	120-240V AC 125-250V DC	0.215 A 0.176 A	White/Clear ²	Adjustable See Flash Mode Selection
	116EXMLEDG-Y6	120-240V AC 125-250V DC	0.215 A 0.176 A	Green	Adjustable See Flash Mode Selection
	116EXMLEDR-Y6	120-240V AC 125-250V DC	0.215 A 0.176 A	Red	Adjustable See Flash Mode Selection
	116EXMLEDA-AQ	24V AC/DC	1.18A AC 0.79A DC	Amber	Adjustable See Flash Mode Selection
	116EXMLEDB-AQ	24V AC/DC	1.18A AC 0.79A DC	Blue	Adjustable See Flash Mode Selection
	116EXMLEDG-AQ	24V AC/DC	1.18A AC 0.79A DC	Green	Adjustable See Flash Mode Selection
	116EXMLEDR-AQ	24V AC/DC	1.18A AC 0.79A DC	Red	Adjustable See Flash Mode Selection
	116EXMLEDW-AQ	24V AC/DC	1.18A AC 0.79A DC	White/Clear ²	Adjustable See Flash Mode Selection

¹AC voltage frequency is 50/60 Hz

²For most LED beacons, the LED color and lens color are the same. White LEDs are used with a clear inner lens for the White model.



Beacons: Explosionproof Multi-Mode LED 116 Series

Required Mounting Options

Description	Cat. No.	Conduit Size
Wall Bracket Mounting Elbow	116EX-B ¹	—
Ceiling/Wall Mounting Module	116EX-C	3/4" NPT
Pendant Mounting Module	116EX-P	3/4" NPT
Stanchion Mounting Module	116EX-S	1 1/4" NPT

¹Note: Wall mount requires both 116EX-B and 116EX-C.

Hazardous Location Ratings

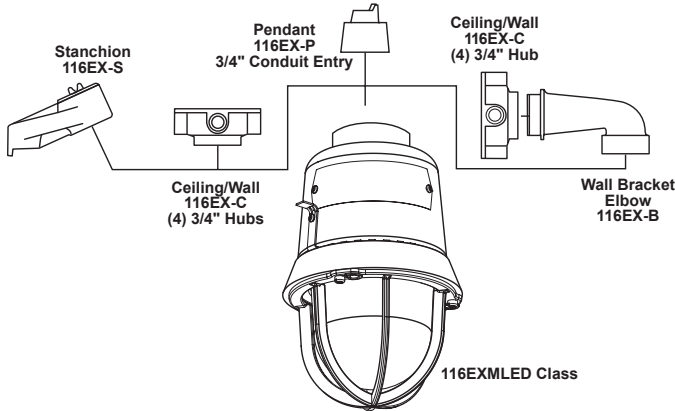
Cat. No.	Operating Temperature						
	Ambient Temp.	Supply Wire Temp. Marking	Class I, Div. 2 Groups A, B	Class I, Div. 1 & 2 Groups C, D	Class II, Div. 1 Groups E, F, G	Class II, Div. 2 Groups F, G	Class III, Div. 1 & 2
116 Series LED Beacon	40°C	75°C	T4 (135°C)	T6 (85°C)	T4A (120°C)	T4A (120°C)	T4A (120°C)
	55°C	90°C	T3C (160°C)	T6 (85°C)	T4 (135°C)	T4 (135°C)	T4 (135°C)
	65°C	105°C	T3C (160°C)	T6 (85°C)	T4 (135°C)	T4 (135°C)	T4 (135°C)

Flash Mode Selection

Pattern	Description	Switch S4	Switch S3	Switch S2	Switch S1
Steady-On	Steady	OFF	OFF	OFF	OFF
Multiburst 1	7 Bursts - Delay- Repeat	OFF	OFF	OFF	ON
Multiburst 2	5 Bursts - Delay - Repeat	OFF	OFF	ON	OFF
Multiburst 3	10 Bursts - 3 Bursts - Repeat	OFF	OFF	ON	ON
Multiburst 4	8 Bursts - delay w/slight illumination - Repeat	OFF	ON	OFF	OFF
Flash 1	65 FPM 10% Duty Cycle	OFF	ON	OFF	ON
Flash 2	65 FPM 25% Duty Cycle	OFF	ON	ON	OFF
Flash 3	65 FPM 50% Duty Cycle	OFF	ON	ON	ON
Flash 4	65 FPM 75% Duty Cycle	ON	OFF	OFF	OFF
Flash 5	80 FPM 10% Duty Cycle	ON	OFF	OFF	ON
Flash 6	80 FPM 25% Duty Cycle	ON	OFF	ON	OFF
Flash 7	80 FPM 50% Duty Cycle	ON	OFF	ON	ON
Flash 8	80 FPM 75% Duty Cycle	ON	ON	OFF	OFF
Ramper	Ramps up and then ramps down	ON	ON	OFF	ON

Beacons: Explosionproof Multi-Mode LED 116 Series

Mounting Options



NOTE: 116EX-C must be used when application requires 116EX-B

Weights and Dimensions

Cat. No.	Approx. Net Weight (lb.)	Approx. Shipping Weight (lb.)
116EXMLEDA-Y6	11.40	12.44
116EXMLEDB-Y6	11.40	12.44
116EXMLEDW-Y6	11.40	12.44
116EXMLEDG-Y6	11.40	12.44
116EXMLEDR-Y6	11.40	12.44
116EXMLEDA-AQ	11.40	12.44
116EXMLEDB-AQ	11.40	12.44
116EXMLEDG-AQ	11.40	12.44
116EXMLEDR-AQ	11.40	12.44
116EXMLEDW-AQ	11.40	12.44
116EX-B	2.02	2.28
116EX-C	2.50	2.80
116EX-P	1.10	1.26
116EX-S	2.62	2.90

NOTE: For most LED beacons, the LED color and lens color are the same. White LEDs are used with a clear inner lens for the clear model.

