

Beacons: Explosionproof Rotating Halogen 116 Series

Edwards 116DEXMRINH Series, supervised DC, rotating beacons are explosionproof, signaling devices designed for hazardous indoor or outdoor applications. The housing is cast aluminum with a corrosion resistance epoxy powder coat, and includes a dome guard. The fluted, high-impact glass dome provides even light distribution. The 116DEXMRINH Series is Diode Polarized for use in electrically supervised circuits and can be bracket, ceiling, pendant or stanchion mounted.

Features and Specifications

- Halogen light source
- High impact glass dome, dome guard included
- Quick connect for easy assembly and installation
- 75 rotations per minute
- Diode Polarized for use in electrically supervised circuits
- Suitable for indoor or outdoor hazardous applications
- Bracket, ceiling, pendant or stanchion mounting options (ordered separately)
- NEMA Type 3R and 4X enclosure
- Marine rated
- Explosionproof: Class I, Div 2, Groups A and B; Class I, Div 1 and 2, Groups C and D; Class II and III, Div 1, Groups E, F and G; Class II and III, Div 2, Group G



← 7.25" →



NOTE: Mounting options not included (ordered separately)

Ordering Information

Description	Cat. No.	Operating Voltage	Current	Lens Colors	Peak Candela	Replacement		
						Dome	Inner Lens	Lamp
Rotating Light Halogen	116DEXMRINHA-GW	24 - 28V DC	0.8 A	Amber	2838	116-Globe	116-RIN-LA	
	116DEXMRINHB-GW	24 - 28V DC	0.8 A	Blue	2838	116-Globe	116-RIN-LB	
	116DEXMRINHC-GW	24 - 28V DC	0.8 A	Clear	2838	116-Globe	116-RIN-LC	50LMP-20WH
	116DEXMRINHG-GW	24 - 28V DC	0.8 A	Green	2838	116-Globe	116-RIN-LG	25,000 hours. ¹
	116DEXMRINHM-GW	24 - 28V DC	0.8 A	Magenta	2838	116-Globe	116-RIN-LM	
	116DEXMRINHR-GW	24 - 28V DC	0.8 A	Red	2838	116-Globe	116-RIN-LR	

¹Projected life based on manufacturer's calculated lamp life.

Required Mounting Options

Description	Cat. No.	Conduit Size
Wall Bracket Mounting Elbow	116EX-B	N/A
Ceiling/Wall Mounting Module	116EX-C	3/4" NPT
Pendant Mounting Module	116EX-P	3/4" NPT
Stanchion Mounting Module	116EX-S	1 1/4" NPT

Hazardous Location Listings

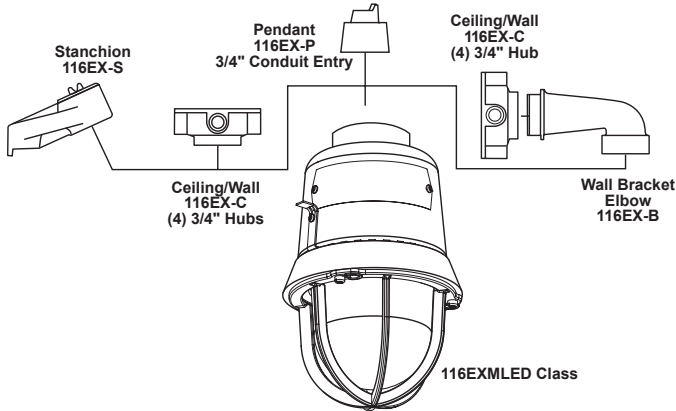
Cat. No.	Ambient Temp.	Supply Wire Temp. Marking	Operating Temperature			
			Class I, Div. 2 Groups A, B	Class I, Div. 1 & 2 Groups C, D	Class II & III, Div. 1 Groups E, F, G	Class II & III, Div. 2 Group G
116DEXMRINH*-GW	40°C	75°C	T3 (200°C)	T6 (85°C)	T4A (120°C)	T4A (120°C)
	55°C	90°C	T3 (200°C)	T6 (85°C)	T4 (135°C)	T4 (135°C)
	65°C	105°C	T2D (215°C)	T6 (85°C)	T4 (135°C)	T4 (135°C)

*Letter in this position designates lens color: A - amber, B - blue, C - clear, G - green, M - magenta, or R - red



Beacons: Explosionproof Rotating Halogen 116 Series

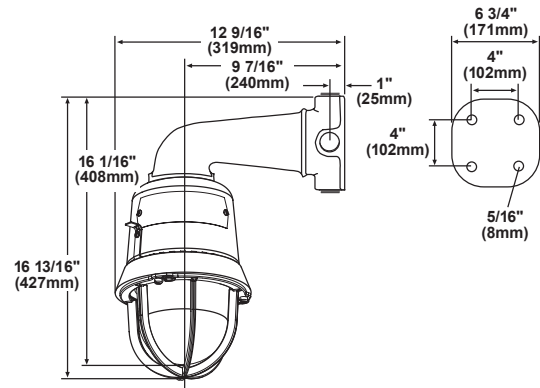
Mounting Options



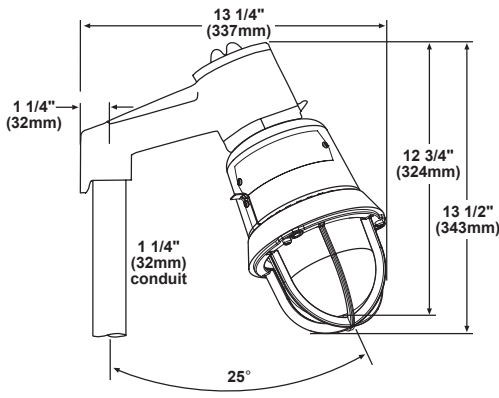
Weights and Dimensions

Cat. No.	Approx. Net Weight (lb.)	Approx. Shipping Weight (lb.)
116DEXMRINHA-GW	11.60	13.00
116DEXMRINHB-GW	11.60	13.00
116DEXMRINHC-GW	11.60	13.00
116DEXMRINHG-GW	11.60	13.00
116DEXMRINHM-GW	11.60	13.00
116DEXMRINHR-GW	11.60	13.00
116EX-B	2.02	2.28
116EX-C	2.50	2.80
116EX-P	1.10	1.26
116EX-S	2.62	2.90

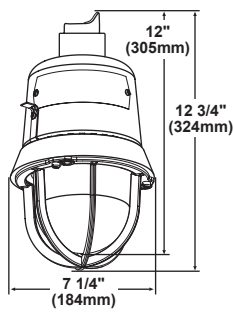
Wall Mount 116EX-B



Stanchion Mount 116EX-S



Pendant Mount 116EX-P



Ceiling Mount 116EX-C

