

Beacons

Multi-Status LED

108 Series

Edwards 108I Series Chameleon™ LED multi-status indicator is a UL listed and IP65 rated multicolor device designed to function as either a steady-on or flashing visual signal. The 108I Series contains three different colored LED signals in one housing, with the option to add an additional lens module and light source – Strobe, Halogen, Incandescent or LED – for a fourth signal. It can be panel or conduit mounted.

The 108I Series features an optional multi-tone base module with eight available tones that can be operated as an additional signal or used in conjunction with any of the visual signals.

Features and Specifications

- 3 LED visual signals in one compact housing
- Option to add an additional module for a fourth light using one of the 102LM lens modules and the 102LS light sources
- 89dB @ 1m/79dB @ 10ft.
- Option to add multi-tone base module
- Option for panel or conduit mounting
- Suitable for indoor and outdoor applications
- NEMA Type 3R and Type 4X
- IP65 rated



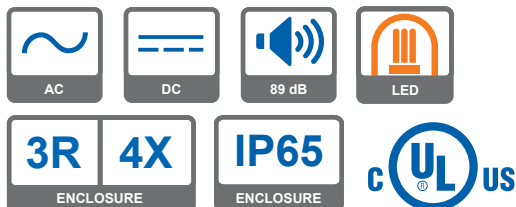
3"



Ordering Information				
Description	Cat. No.	Operating Voltage ¹	Current	Lens Colors
Pipe Mount (w/tone module)	108I-RGA-N5	120V AC	0.115 A ²	Red, Green, Amber
	108I-RBA-N5	120V AC	0.115 A ²	Red, Blue, Amber
	108I-RGA-G1	24V DC	0.105 A ²	Red, Green, Amber
	108I-RBA-G1	24V DC	0.105 A ²	Red, Blue, Amber
Pipe Mount - short base (Tone module not available)	108IP-RGA-N5	120V AC	0.045 A	Red, Green, Amber
	108IP-RBA-N5	120V AC	0.045 A	Red, Blue, Amber
	108IP-RGA-G1	24V DC	0.055 A	Red, Green, Amber
	108IP-RBA-G1	24V DC	0.055 A	Red, Blue, Amber
Direct Mount (Tone module not available)	108ID-RGA-N5	120V AC	0.045 A	Red, Green, Amber
	108ID-RBA-N5	120V AC	0.045 A	Red, Blue, Amber
	108ID-RGA-G1	24V DC	0.055 A	Red, Green, Amber
	108ID-RBA-G1	24V DC	0.055 A	Red, Blue, Amber

¹AC voltage frequency is 50/60 Hz.

²Includes tone module.



Beacons

Multi-Status LED

108 Series

Accessories		Cat. No.
Description		
Pipe Mount Flange		102PMF
Pipe Extensions (for use with Pipe Mount Flange)	4"	102MP-4
	10"	102MP-10
	15"	102MP-15
Corner Mount Bracket		CBR
Wall Mount Bracket		WBR



Signal Input Load Characteristics

These devices may be operated by PLCs with output characteristics that match the input load requirements of the signal.

Cat. No.	Operating Voltage	Max. Off State Leakage Current (A)	Continuous On Current (A)	Surge (inrush / duration)
108I-*-G1	24V DC	0.005	0.105	5 A / 1 millisecond
108I-*-N5	120V AC	0.005	0.115	30 A / 0.002 millisecond
108IP-*-G1	24V DC	0.005	0.055	5 A / 1 millisecond
108IP-*-N5	120V AC	0.005	0.045	13 A / 0.002 millisecond
108ID-*-G1	24V DC	0.005	0.055	5 A / 1 millisecond
108ID-*-N5	120V AC	0.005	0.045	13 A / 0.002 millisecond

*Letter in this position designates the colors of the LED clusters: RGA - red, green and amber or RBA - red, blue and amber

Beacons

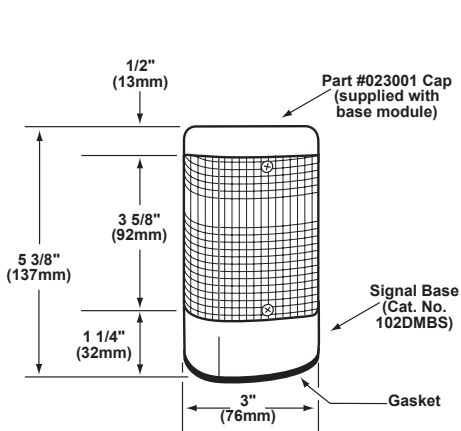
Multi-Status LED

108 Series

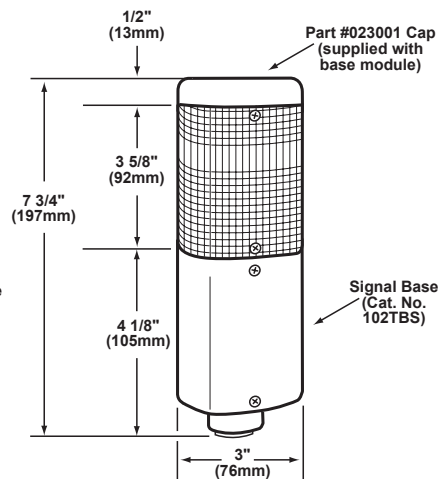
Weights and Dimensions		
Cat. No.	Approx. Net Weight (lb.)	Approx. Shipping Weight (lb.)
108I-RBA-G1	0.89	1.05
108I-RBA-N5	0.89	1.05
108I-RGA-G1	0.89	1.05
108I-RGA-N5	0.89	1.05
108IP-RBA-G1	0.89	1.05
108IP-RBA-N5	0.89	1.05
108IP-RGA-G1	0.89	1.05
108IP-RGA-N5	0.89	1.05
108ID-RGA-N5	0.69	0.88
108ID-RBA-N5	0.69	0.88
108ID-RGA-G1	0.69	0.88
108ID-RBA-G1	0.69	0.88
102LM-*	0.33	0.43
102LS-FIN-G1	0.70	0.80
102LS-FINH-G1	0.70	0.80
102LS-FINH-N5	0.70	0.80
102LS-FIN-N5	0.70	0.80
102LS-FLED*-G1	0.70	0.80
102LS-FLED*-N5	0.70	0.80
102LS-SIN-G1	0.70	0.80
102LS-SINH-G1	0.70	0.80
102LS-SINH-N5	0.70	0.80
102LS-SIN-N5	0.70	0.80
102LS-SLED*-G1	0.70	0.80
102LS-SLED*-N5	0.70	0.80
102LS-ST-G1	0.70	0.80
102LS-ST-N5	0.70	0.80

Weights and Dimensions			Continued
Cat. No.	Approx. Net Weight (lb.)	Approx. Shipping Weight (lb.)	
102MP-10	0.83	0.83	
102MP-15	1.14	1.14	
102MP-4	0.31	0.31	
102PMF	0.58	0.68	
102SIN-RBA-G1	1.44	1.61	
102SIN-RBA-N5	1.44	1.61	
102SIN-RGA-G1	1.44	1.61	
102SIN-RGA-N5	1.44	1.61	
CBR	4.00	4.20	
WBR	2.30	2.50	

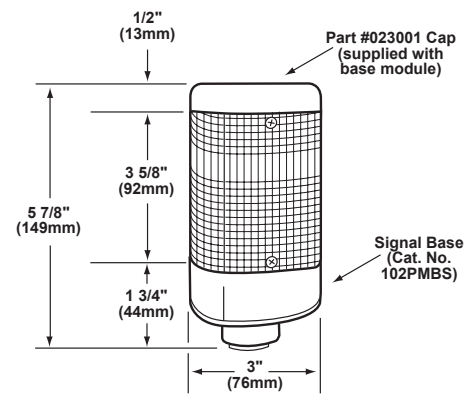
*Letter in this position designates lens/LED color: A - amber, B - blue, G - green, R - red, or W - clear/white



Cat. No. 108ID Series



Cat. No. 108I Series



Cat. No. 108IP Series