

Beacons

Multi-Mode LED

107XBR Series



The 107XBR hazardous location XTRA-BRITE™ LED visual signals are NEMA Type 3R and Type 4 heavy-duty visual signals suitable for use in indoor or outdoor applications. The units are available in 24V DC or 120V AC and are field configurable for steady-on or flashing (65 fpm). The inner, double fresnel lens is made of a high grade polycarbonate and is designed to magnify the super-bright LEDs inside. A clear, outer, impact-resistant glass globe also covers the lens and an optional dome guard fits over the glass dome to protect it against accidental impacts with machinery or falling objects.

The 107XBR has three different mounting configurations including the pendant mount, bracket mount and ceiling mount and can be mounted on 3/4" NPT threaded conduit.

Features and Specifications

- Multi-mode (flashing or steady-on)
- LED XTRA-BRITE™ light source
- Flash rate 65 fpm
- Five lens colors
- 3/4" NPT threaded conduit
- High level of immunity to shock and vibration
- Three mounting options: pendant, bracket or ceiling
- UL Listed for Class I, Div 2, Groups A, B, C, D; Class II, Div 1, Groups E, F, G; Class II, Div 2, Groups F and G; Class III, Div 1

Ordering Information

Description	Cat. No.	Operating Voltage ¹	Current	Lens Color	Median LED Life (L70) ²	Flash Rate ³	Replacement Dome
Pendant Mount AC	107XBRPMA120A	120V AC	0.115 A	Amber	148,000 hours	65 fpm	EDVPGL1HR
	107XBRPMB120A	120V AC	0.115 A	Blue	148,000 hours	65 fpm	EDVPGL1HR
	107XBRPMG120A	120V AC	0.115 A	Green	148,000 hours	65 fpm	EDVPGL1HR
	107XBRPMR120A	120V AC	0.115 A	Red	148,000 hours	65 fpm	EDVPGL1HR
	107XBRPMW120A	120V AC	0.115 A	Clear	148,000 hours	65 fpm	EDVPGL1HR
Bracket Mount AC	107XBRBMA120A	120V AC	0.115 A	Amber	148,000 hours	65 fpm	EDVPGL1HR
	107XBRBMB120A	120V AC	0.115 A	Blue	148,000 hours	65 fpm	EDVPGL1HR
	107XBRBMG120A	120V AC	0.115 A	Green	148,000 hours	65 fpm	EDVPGL1HR
	107XBRBMR120A	120V AC	0.115 A	Red	148,000 hours	65 fpm	EDVPGL1HR
	107XBRBMW120A	120V AC	0.115 A	Clear	148,000 hours	65 fpm	EDVPGL1HR
Ceiling Mount AC	107XBRCA120A	120V AC	0.115 A	Amber	148,000 hours	65 fpm	EDVPGL1HR
	107XBRCA120A	120V AC	0.115 A	Blue	148,000 hours	65 fpm	EDVPGL1HR
	107XBRCA120A	120V AC	0.115 A	Green	148,000 hours	65 fpm	EDVPGL1HR
	107XBRCA120A	120V AC	0.115 A	Red	148,000 hours	65 fpm	EDVPGL1HR
	107XBRCA120A	120V AC	0.115 A	Clear	148,000 hours	65 fpm	EDVPGL1HR

¹AC voltage frequency is 50/60 Hz

²Based on LED manufacturer's projections. Refer to <http://www.philipslumileds.com/pdfs/WP15.pdf>

³Only if activated by third yellow wire



Beacons

Multi-Mode LED

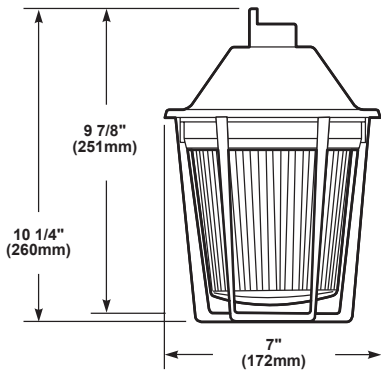
107XBR Series

Weights and Dimensions

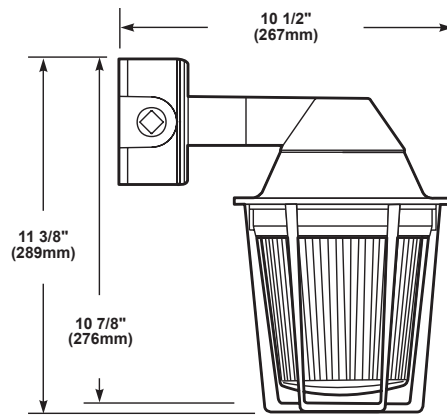
Cat. No.	Approx. Net Weight (lb.)	Approx. Shipping Weight (lb.)
107XBRBM*120A	6.40	10.87
107XBRCM*120A	5.40	9.87
107XBRPM*120A	4.50	8.97
107XBRBM*24D	6.40	10.87
107XBRCM*24D	5.40	9.87
107XBRPM*24D	4.50	8.97

*Letter in this position designates lens color: A - amber, B - blue, G - green, R - red, W - clear

Pendant Mounting



Bracket Mounting



Ceiling Mounting

