

# Beacons

## Multi-Status LED

### 105XBRI Series



Edwards 105XBRI Series XTRA-BRITE™ LED multi-status indicator is a UL and cUL listed, multicolor visual signaling device. It features a corrosion resistant NEMA Type 4X enclosure, listed for Marine use, and can be wall, surface or pipe mounted. The base is manufactured from from glass-reinforced thermoplastic polyester resin, providing high resistance to heat and high chemical resistivity. The double Fresnel lens is made of shatter resistant polycarbonate.

### Features and Specifications

- LED light source
- Screw on, high-impact polycarbonate lens
- Gray Rynite® (PET) base
- XTRA-SAFE™ Technology<sup>1</sup> enables status indication for those who are color blind
- Dip switch settings for use with or without external control
- Flash rates
  - Red 240 fpm
  - Amber 120 fpm
  - Green/Blue 65 fpm
- NEMA Type 4X enclosure
- Class I, Div. 2, Groups A, B, C and D; Class II, Div 2, Groups F and G; Class III
- Suitable for indoor and outdoor applications
- Option for wall, surface or pipe mounting
- Optional mounting not included
- Operating temperature range: -31F° to 150°F (-35°C to 66°C)



4.5"



VISUAL SIGNALS

### Ordering Information

Description	Cat. No.	Operating Voltage <sup>2</sup>	Current	LED Colors	Projected LED Life (L70) <sup>3</sup>	Replacement Lens
Multi-status Indicator LED	105XBRI <sup>R</sup> GA120A	120V AC	0.100 A	Red, Green, Amber	148,000 hours	105-LC
	105XBRI <sup>R</sup> GA24D	24V DC	0.150 A	Red, Green, Amber	148,000 hours	105-LC
	105XBRI <sup>R</sup> BA120A	120V AC	0.100 A	Red, Blue, Amber	148,000 hours	105-LC
	105XBRI <sup>R</sup> BA24D	24V DC	0.150 A	Red, Blue, Amber	148,000 hours	105-LC

<sup>1</sup>NOTE: See website for more information on our XTRA-SAFE Technology

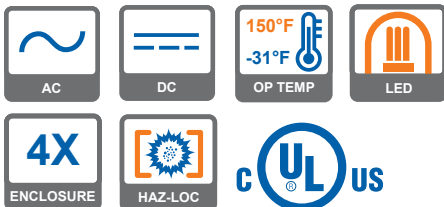
<sup>2</sup>AC voltage frequency is 50/60 Hz.

<sup>3</sup>LED Manufacturer's Median Projected LED Life for LUXEON Rebel LEDs (L70 at 85°C and T<sub>junction</sub> 98°C). Actual LED life will vary inversely with ambient temperature, voltage, driver current, junction temperature and duty-cycle at which the signaling device is operated. Please refer to <http://www.philipslumileds.com/pdfs/WP15.pdf>.

### Signal Input Load Characteristics

These devices may be operated by PLCs with output characteristics that match the input load requirements of the signal.

Cat. No.	Operating Voltage <sup>2</sup>	Max. Off State Leakage Current (A)	Continuous On Current (A)	Surge (inrush / duration)
105XBRI <sup>R</sup> GA120A	120 VAC	0.005	0.100	28.5 A / 212 μSeconds
105XBRI <sup>R</sup> GA24D	24 VDC	0.005	0.150	28 A / 65 μSeconds
105XBRI <sup>R</sup> BA120A	120 VAC	0.005	0.100	28.5 A / 212 μSeconds
105XBRI <sup>R</sup> BA24D	24 VDC	0.005	0.150	28 A / 65 μSeconds



# Beacons

## Multi-Status LED

### 105XBri Series

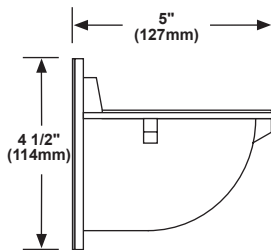
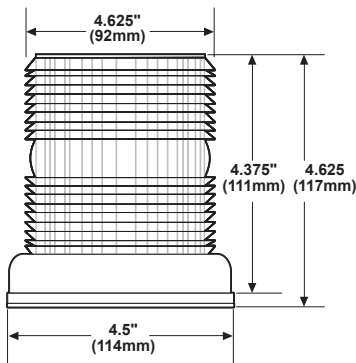
VISUAL SIGNALS

#### Hazardous Location Ratings

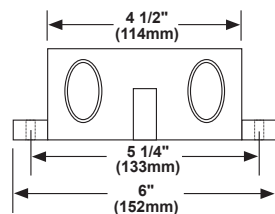
Cat. No.	Class	Division	Group	Operating Temperature
105XBRIrGA120A 105XBRIrGA24D	I	2	A, B, C, D	T5 (100°C, 212°F)
	II	2	F, G	T5 (100°C, 212°F)
	III			T5 (100°C, 212°F)
105XBRIrBA120A 105XBRIrBA24D	I	2	A, B, C, D	T6 (85°C, 185°F)
	II	2	G	T6 (85°C, 185°F)
	III			T6 (85°C, 185°F)

#### Weights and Dimensions

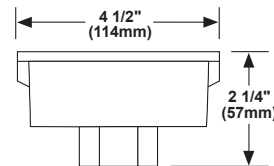
Cat. No.	Approx. Net Weight (lb.)	Approx. Shipping Weight (lb.)
105XBRIrGA120A	1.6	1.8
105XBRIrGA24D	1.6	1.8
105XBRIrBA120A	1.6	1.8
105XBRIrBA24D	1.6	1.8



Cat. No. 105BM Mounting Bracket  
(Must be used with 105BX)



Cat. No. 105BX  
Outlet Box Attachment  
(4) 3/4" Threaded Hubs



Cat. No. 105PM  
Pipe Mount Attachment  
(Pipe mount is 3/4" NPT)