

# Beacons

## Flashing Halogen

### 105 Series

Edwards 105 Series flashing Halogen beacons are NEMA Type 4X signaling devices, suitable for use in indoor or outdoor applications where an intermittent (flashing) light source is required. Base material is gray, manufactured from glass-reinforced thermoplastic polyester resin and features brass hardware. The double fresnel lens is made of shatter-resistant polycarbonate.

### Features and Specifications

- Halogen light source
- Flash rate 65 fpm
- Shatter-resistant double fresnel polycarbonate lens
- Gray Rynite® (PET) base with brass hardware
- Suitable for indoor, outdoor and marine applications
- For outdoor use, lens should face up
- NEMA Type 4X enclosure
- Class I, Div 2, Groups A, B, C and D; Class II, Div 2, Groups F and G; Class III
- Option for panel or conduit mounting



| Ordering Information             |             |                   |         |            |              |                                        |             |                                                      |
|----------------------------------|-------------|-------------------|---------|------------|--------------|----------------------------------------|-------------|------------------------------------------------------|
| Description                      | Cat. No.    | Operating Voltage | Current | Lens Color | Peak Candela | Lamp Ratings                           | Replacement |                                                      |
|                                  |             |                   |         |            |              |                                        | Lens        | Lamp                                                 |
| Flashing Beacon<br>Halogen<br>AC | 105FINHA-G5 | 24V AC            | 0.8 A   | Amber      | 2839         | 20W,<br>20,000<br>hours <sup>1,2</sup> | 105-LA      | 50LMP-20WH<br>or Ind. Trade<br>No. 1692 <sup>3</sup> |
|                                  | 105FINHB-G5 | 24V AC            | 0.8 A   | Blue       |              |                                        | 105-LB      |                                                      |
|                                  | 105FINHC-G5 | 24V AC            | 0.8 A   | Clear      |              |                                        | 105-LC      |                                                      |
|                                  | 105FINHG-G5 | 24V AC            | 0.8 A   | Green      |              |                                        | 105-LG      |                                                      |
|                                  | 105FINHM-G5 | 24V AC            | 0.8 A   | Magenta    |              |                                        | 105-LM      |                                                      |
|                                  | 105FINHR-G5 | 24V AC            | 0.8 A   | Red        |              |                                        | 105-LR      |                                                      |
|                                  | 105FINHA-N5 | 120V AC           | 0.2 A   | Amber      |              |                                        | 105-LA      |                                                      |
|                                  | 105FINHB-N5 | 120V AC           | 0.2 A   | Blue       |              |                                        | 105-LB      |                                                      |
|                                  | 105FINHC-N5 | 120V AC           | 0.2 A   | Clear      |              |                                        | 105-LC      |                                                      |
|                                  | 105FINHG-N5 | 120V AC           | 0.2 A   | Green      |              |                                        | 105-LG      |                                                      |
| 105FINHM-N5                      | 120V AC     | 0.2 A             | Magenta | 105-LM     |              |                                        |             |                                                      |
| 105FINHR-N5                      | 120V AC     | 0.2 A             | Red     | 105-LR     |              |                                        |             |                                                      |
| Flashing Beacon<br>Halogen<br>DC | 105FINHA-G1 | 24V DC            | 0.8 A   | Amber      | 2839         | 20W,<br>20,000<br>hours <sup>1,2</sup> | 105-LA      | 50LMP-20WH<br>or Ind. Trade<br>No. 1692 <sup>3</sup> |
|                                  | 105FINHB-G1 | 24V DC            | 0.8 A   | Blue       |              |                                        | 105-LB      |                                                      |
|                                  | 105FINHC-G1 | 24V DC            | 0.8 A   | Clear      |              |                                        | 105-LC      |                                                      |
|                                  | 105FINHG-G1 | 24V DC            | 0.8 A   | Green      |              |                                        | 105-LG      |                                                      |
|                                  | 105FINHM-G1 | 24V DC            | 0.8 A   | Magenta    |              |                                        | 105-LM      |                                                      |
|                                  | 105FINHR-G1 | 24V DC            | 0.8 A   | Red        |              |                                        | 105-LR      |                                                      |

<sup>1</sup>At nominal operating voltage.

<sup>2</sup>Projected lamp life based on manufacturer's calculated lamp life at 65 fpm and 50% duty cycle.

<sup>3</sup>Incandescent lamp, user supplied

### Accessories

| Description           | Cat. No.           |
|-----------------------|--------------------|
| Wall Mount Bracket    | 105BM <sup>4</sup> |
| Outlet Box Attachment | 105BX              |
| Pipe Mount Attachment | 105PM              |

<sup>4</sup>Must be used with the 105BX.



Wall Mount Bracket



Outlet Box Attachment



Pipe Mount Attachment



# Beacons

## Flashing Halogen

### 105 Series

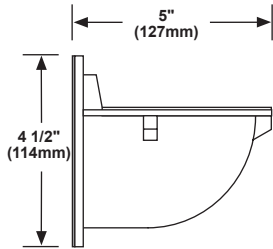
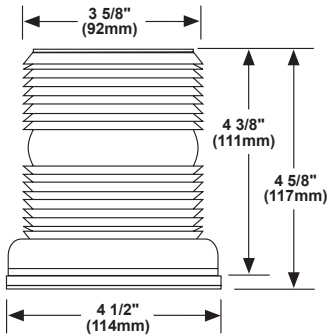
#### Hazardous Location Listings

| Cat. No.    | Class | Division | Group      | Operating Temperature |
|-------------|-------|----------|------------|-----------------------|
| 105FINH*-N5 | I     | 2        | A, B, C, D | T2 (300°C, 572°F)     |
| 105SINH*-N5 | II    | 2        | F, G       | T4 (135°C, 275°F)     |
|             | III   |          |            | T4 (135°C, 275°F)     |

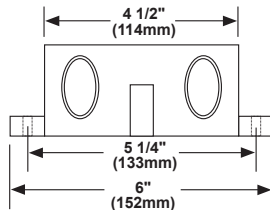
#### Weights and Dimensions

| Cat. No.    | Approx. Net Weight (lb.) | Approx. Shipping Weight (lb.) |
|-------------|--------------------------|-------------------------------|
| 105FINH*-G5 | 0.88                     | 1.04                          |
| 105FINH*-N5 | 0.88                     | 1.04                          |
| 105FINH*-G1 | 0.88                     | 1.04                          |
| 105BX       | 0.80                     | 1.00                          |
| 105BM       | 1.00                     | 1.20                          |
| 105PM       | 0.80                     | 1.00                          |

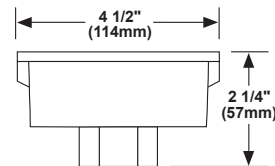
\*Letter in this position designates lens color: A - amber, B - blue, C - clear, G - green, M - magenta or R - red



Cat. No. 105BM Mounting Bracket  
(Must be used with 105BX)



Cat. No. 105BX  
Outlet Box Attachment  
(4) 3/4" Threaded Hubs



Cat. No. 105PM  
Pipe Mount Attachment  
(Pipe mount is 3/4" NPT)