

# StackLight™ 102 Series

Edwards 102 Series StackLight is a unique audible-visual signaling device that may contain up to five light modules and a pulsating horn in a single, integrated stack. Two optional sounder modules are also available. The Tripliptical diffusion optic lens allows viewing from close up while still projecting the light through use of a built-in projection ring.

The lens modules are available with LED, Incandescent, Halogen or Strobe light sources. Options for steady-on or flashing are available. The 102 Series offers a shorter base for panel or conduit mounting as well as a taller base, designed for use with a sounder module.

## Features and Specifications

- LED, Incandescent, Halogen and Strobe light source
- Steady-on or flashing
- Six lens colors available
- Two optional IP54 sounders available:
  - Single tone module
  - Multi-tone module, eight available tones
- Sounder modules provide 89dB @ 1 meter/ 79dB @ 10ft.
- Base and light modules are IP65 rated
- Suitable for indoor and outdoor applications
- Option for panel or conduit mounting
- NEMA Type 3R and 4X enclosure
- Optional mounting not included



← 3" →

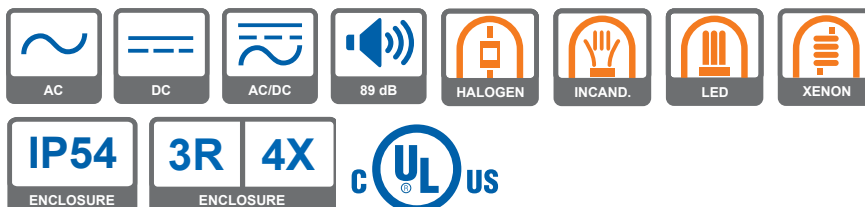


VISUAL SIGNALS

## Ordering Information

Description	Cat. No.	Operating Voltage	Current <sup>1</sup>
Base Unit - Use with optional tone module	<b>102TBS-N5</b>	120V AC	0.60 A
	<b>102TBS-G1</b>	24V DC	1.75 A
Mini base for direct panel mount	<b>102DMBS-N5</b>	120V AC	0.60 A
	<b>102DMBS-G1</b>	24V DC	1.75 A
Mini base for 3/4" (19mm) conduit mount	<b>102PMBS-N5</b>	120V AC	0.60 A
	<b>102PMBS-G1</b>	24V DC	1.75 A

<sup>1</sup>Currents shown are for a stackable with 5 light modules.



# StackLight™ 102 Series

Ordering Information		Continued							
Description	Cat. No.	Operating Voltage	Current	Lens/LED Colors	Peak Candela	Lamp Ratings	Lamp Life Calculated <sup>2</sup>	Lamp Life Projected <sup>3</sup>	Replacement Lamp
Lens Module	102LM-A	—	—	Amber	—	—	—	—	—
	102LM-B	—	—	Blue	—	—	—	—	—
	102LM-C	—	—	Clear	—	—	—	—	—
	102LM-G	—	—	Green	—	—	—	—	—
	102LM-R	—	—	Red	—	—	—	—	—
	102LM-Y	—	—	Yellow	—	—	—	—	—
Steady-on Halogen	102LS-SINH-N5	120V AC	0.11 A	—	879	12 Watts	20,000 hr.	—	50LMP-12WH
	102LS-SINH-G1	24V DC	0.32 A	—	653	9 Watts	12,000 hr.	—	50LMP-9WH
Steady-on Incandescent	102LS-SIN-N5	120V AC	0.08 A	—	829	10 Watts	2,500 hr.	—	50LMP-10W
	102LS-SIN-G1	24V DC	0.32 A	—	829	10 Watts	10,000 hr.	—	Ind. Trade 303 <sup>5</sup>
Flashing Halogen	102LS-FINH-N5	120V AC	0.11 A	—	879	12 Watts	20,000 hr.	25,000 hr.	50LMP-12WH
	102LS-FINH-G1	24V DC	0.32 A	—	653	9 Watts	12,000 hr.	15,000 hr.	50LMP-9WH
Flashing Incandescent	102LS-FIN-N5	120V AC	0.08 A	—	829	10 Watts	2,500 hr.	3,000 hr.	50LMP-10W
	102LS-FIN-G1	24V DC	0.32 A	—	829	10 Watts	10,000 hr.	12,500 hr.	Ind. Trade 303 <sup>5</sup>
Strobe	102LS-ST-N5	120V AC	0.12 A	—	300,000	3 Joule	3,000 hr. <sup>4</sup>	—	—
	102LS-ST-G1	24V DC	0.30 A	—	300,000	3 Joule	3,000 hr. <sup>4</sup>	—	—
Steady-on LED	102LS-SLEDA-N5 <sup>1</sup>	120V AC	0.022 A	Amber	—	—	120,000 hr.	—	—
	102LS-SLEDA-G1 <sup>1</sup>	24V DC	0.062 A						
	102LS-SLEDB-N5 <sup>1</sup>	120V AC	0.022 A	Blue	—	—	120,000 hr.	—	—
	102LS-SLEDB-G1 <sup>1</sup>	24V DC	0.062 A						
	102LS-SLEDG-N5 <sup>1</sup>	120V AC	0.022 A	Green	—	—	120,000 hr.	—	—
	102LS-SLEDG-G1 <sup>1</sup>	24V DC	0.062 A						
	102LS-SLEDR-N5 <sup>1</sup>	120V AC	0.022 A	Red	—	—	120,000 hr.	—	—
	102LS-SLEDR-G1 <sup>1</sup>	24V DC	0.062 A						
	102LS-SLEDW-N5 <sup>1</sup>	120V AC	0.022 A	Clear/ White	—	—	120,000 hr.	—	—
	102LS-SLEDW-G1 <sup>1</sup>	24V DC	0.062 A						

<sup>1</sup>NOTE: LED light sources must be used with the corresponding color lens module (e.g., a blue LED light source, 102LS-SLEDB-G1, must be used with a blue lens, 102LM-B).

<sup>2</sup>At nominal operating voltage.

<sup>3</sup>Projected lamp life based on manufacturer's calc. lamp life @ 65 fpm and 50% duty cycle.

<sup>4</sup>Strobe tube life @ operating power to 75% efficiency.

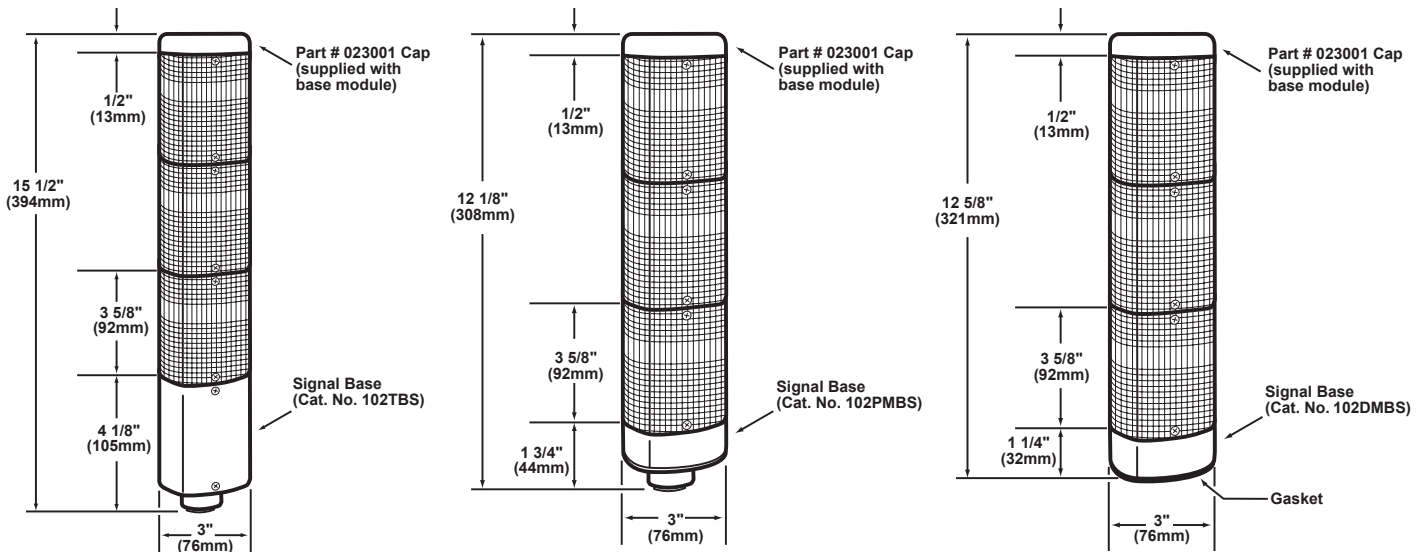
<sup>5</sup>User supplied

# StackLight™ 102 Series

## Weights and Dimensions

Cat. No.	Approx. Net Weight (lb.)	Approx. Shipping Weight (lb.)
102DMBS-G1	0.38	0.48
102DMBS-N5	0.38	0.48
102LM-*	0.33	0.43
102LS-FIN-G1	0.70	0.80
102LS-FINH-G1	0.70	0.80
102LS-FINH-N5	0.70	0.80
102LS-FIN-N5	0.70	0.80
102LS-FLED*-G1	0.70	0.80
102LS-FLED*-N5	0.70	0.80
102LS-SIN-G1	0.70	0.80
102LS-SINH-G1	0.70	0.80
102LS-SINH-N5	0.70	0.80
102LS-SIN-N5	0.70	0.80
102LS-SLED*-G1	0.70	0.80
102LS-SLED*-N5	0.70	0.80
102LS-ST-G1	0.70	0.80
102LS-ST-N5	0.70	0.80
102MP-10	0.83	0.83
102MP-15	1.14	1.14
102MP-4	0.31	0.31
102PMBS-G1	0.38	0.48
102PMBS-N5	0.38	0.48
102PMF	0.58	0.68
102SIGMT-DN-G1	0.26	0.36
102SIGMT-G1	0.26	0.36
102SIGMT-N5	0.26	0.36
102SIGST-G1	0.26	0.36
102SIGST-N5	0.26	0.36
102SIN-RBA-G1	1.44	1.61
102SIN-RBA-N5	1.44	1.61
102SIN-RGA-G1	1.44	1.61
102SIN-RGA-N5	1.44	1.61
102TBS-DN-G1	0.40	0.50
102TBS-DN-N5	0.40	0.50
102TBS-G1	0.45	0.55
102TBS-N5	0.45	0.55
102TBS-N5	0.45	0.55

\*Letter in this position designates lens/LED color: A - amber, B - blue, G - green, R - red, or W - clear/white



# StackLight™ 102 Series

## Technical Information

### How to order Trilipical StackLight

To build a StackLight, one base unit and the required number of lens modules and light sources need to be ordered. For example, to build a 120V AC, two high, steady incandescent StackLight on a direct mount base, order (one) 102DMBS-N5, (two) 102LM (in required colors), and (two) 102LS-SIN-N5.

VISUAL SIGNALS

