

Dold LG5925 Series

2-Channel Emergency Stop and Safety Gates

**LG5925-48-61-24**

Designed to protect people and machines in applications with E-stop buttons and safety gates.

- Outputs: 3 N.O. contacts and 1 N.C. contact
- Feedback circuit to monitor external contactors used for reinforcement of contacts
- Overvoltage and short-circuit protection
- Monitored manual restart
- Single and 2-channel operation
- LED indicators for power and state of operation

Safety Data – Values per EN ISO 13849-1	
Category	4 according to EN 954-1
Performance level	PLe according to EN 13849-1
MTTF_d	>100 years
DC_{avg}	99%
Safety Data – Values per IEC/EN 62061 / IEC/EN 61508	
SIL CL	3 per IEC/EN 62061
SIL	3 per IEC/EN 61508
HFT (Hardware Failure Tolerance)	1
DC_{avg}	99%
SFF	99.7%
PFH_D	2.66E ⁻¹⁰ h ⁻¹

Safety Relays Selection Chart

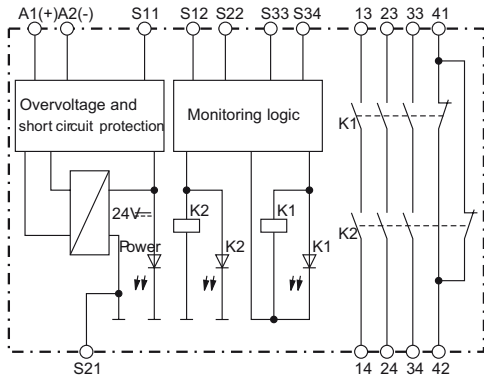
Part Number	Price	Marking Type	Voltage	Outputs
LG5925-48-61-24	\$165.00	2-channel E-STOP / GATE	24 VAC/DC	3 N.O. and 1 N.C.
LG5925-48-61-110	\$180.00	2-channel E-STOP / GATE	110 VAC	3 N.O. and 1 N.C.
LG5925-48-61-230	\$180.00	2-channel E-STOP / GATE	230 VAC	3 N.O. and 1 N.C.

LG5925 Controllers Safety Relay Specification Table

General Specifications	
Temperature	Storage: -25°C to 85°C (-13°F to 185°F) Operating: -15°C to 55°C (5°F to 131°F)
Altitude	<2,000 meters
Vibration Resistance	Amplitude: 0.35mm, Frequency: 10 to 55 Hz (IEC/EN 60-068-2-6)
Degree of Protection	Per IEC/EN 60 529. Housing: IP40; Terminals IP20
Housing	UL 94V-0 Thermoplastic; Din mount 35 mm x 7.5 mm
Weight	LG5925 24V AC/DC: 210 g (7.40 oz.); LG5925 110V, 230V AC: 275 g (9.70 oz.)
Agency Approvals and Standards	CSA, cULus file E107778, CE, RoHS, TUV
Terminal Designation per EN 50 005 Wire Connections	1x4 mm ² solid or 1 x 2.5 mm ² stranded ferruled (isolated) or 2 x 1.5 mm ² stranded ferruled (isolated) DIN 46 228-1/-2/-3/-4 or 2 x 2.5 mm ² solid DIN 46 228-1/-2/-3/-4
Wire Fixing	Terminal screws M3.5 box terminals with wire protection or cage clamp terminals.
Input Specifications	
Nominal Voltage	110VAC, 230VAC, 24VAC/DC
Voltage Range	At 10% residual ripple: AC/DC: 0.9 to 1.1 UN; AC: 0.85 to 1.1 UN
Maximum Consumption	DC approx. 1.5W; AC approx. 3.7 VA
Nominal Frequency	50 to 60 Hz
Minimum Off-time	250 ms
Control Voltage on S11 At UN	AC/DC units: 22VDC; AC units: 24VDC
Control Current Typ. Over S12, S22	30mA at UN
Min. Voltage on S12, S22 (relay activated)	AC/DC units: 20VDC; AC units: 19VDC
Short Circuit Protection	Internal with PTC (Positive Temperature Coefficient resistor)
Overvoltage Protection	Internal VDR (Voltage Dependent Resistor)
Output Specifications	
Electrical Contact Life	AC 15 at 5A, 230VAC: > 2.2x10 ⁵ switching cycles
Mechanical Life	> 20x10 ⁶ switching cycles
Contact Type	3 positively driven N.O. and 1 N.C. relay contacts (N.O. contacts are safety contacts)
Operate Delay	Manual start: 30ms; automatic start: 350ms
Release Delay	Disconnecting the supply: AC units: 150ms; DC units: 50ms Disconnecting S12, S22: AC units: 130ms. DC units: 50ms
Nominal Output Voltage	AC: 250V; DC: See continuous current limit curve in installation manual.
Thermal Current (I_{th})	Max. 8A. See continuous current limit curve in installation manual.
Short Circuit Strength	Max. fuse rating: 10A gL (IEC/EN 60 947-5-1); Line circuit breaker: B 6A
Switching Capacity (IEC/EN 60 947-5-1)	AC 15: N.O. contacts: 3A/230V; N.C. contacts: 2A/230V DC 13: N.O. contacts: 4A/DC24V, 0.5A/110V; N.C. contacts: 4A/24V; DC 13: N.O. contacts: 8A/24V >25x103. ON: 0.4s, OFF: 9.6 s
Switching Frequency	Max. 1200 switching cycles/hr

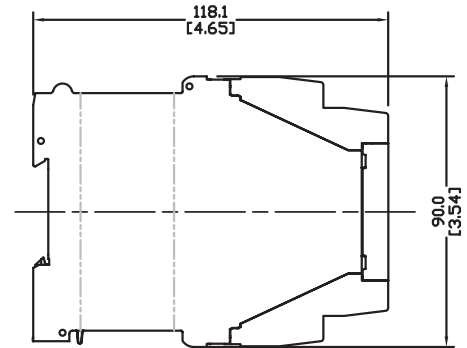
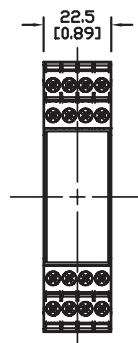
Dold LG5925 Series 2-Channel Emergency Stop and Safety Gates

Wiring **LG5925 Block Diagram**

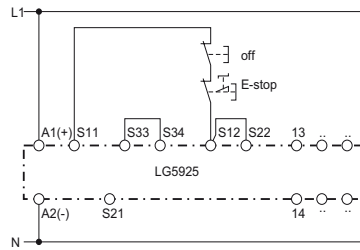


Dimensions

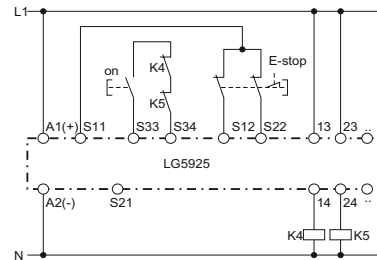
mm [in]



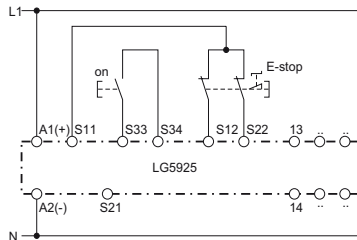
Applications



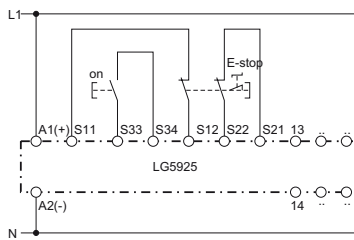
Single channel emergency stop circuit. This circuit does not have any redundancy in the emergency-stop control circuit.
Note: Refer to "Unit programming"
Set switch or dip switch in pos.: S1 no cross fault detection
S2 automatic start



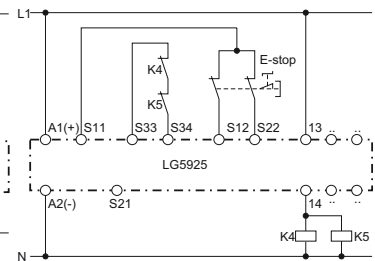
Contact reinforcement by external contactors, 2-channel controlled. The output contacts can be reinforced by external contactors with positive guided contacts for switching currents > 8 A. Functioning of the external contactors is monitored by looping the N.C. contacts into the closing circuit (terminals S33-S34).
Note: Refer to "Unit programming"
Set switch or dip switch in pos.: S1 no cross fault detection
S2 manual start



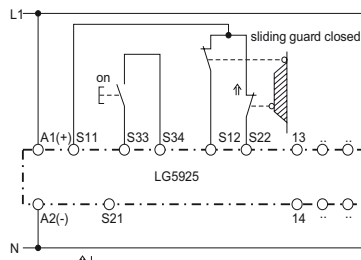
2-channel emergency stop circuit without cross fault monitoring.
Note: Refer to "Unit programming"
Set switch or dip switch in pos.: S1 no cross fault detection
S2 manual start



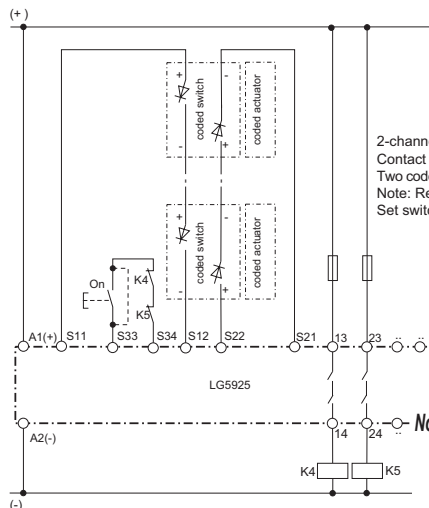
2-channel emergency stop circuit with cross fault detection.
Note: Refer to "Unit programming"
Set switch or dip switch in pos.: S1 cross fault detection
S2 manual start



Contact reinforcement by external contactors controlled by one contact path.
Note: Refer to "Unit programming"
Set switch or dip switch in pos.: S1 no cross fault detection
S2 automatic start



2-channel safety gate monitoring.
Note: Refer to "Unit programming"
Set switch or dip switch in pos.: S1 no cross fault detection
S2 manual start



2-channel emergency stop circuit with cross fault. Contact reinforcement by external contactors. Two coded non-contact sensors in series.
Note: Refer to "Unit programming"
Set switch or dip switch in pos.: S1 cross fault detection
S2 Manual or Automatic (dotted jumper)

Note: When switching inductive loads, surge suppressors are recommended.

Dold LG5929 Extension Module



Additional contacts for emergency-stop modules and safety gate monitors.

- 1-channel or 2-channel connection
- LED indication for operation
- Output: 5 N.O. and 1 N.C. contacts

Safety Relays Selection Chart

Part Number	Price	Marking Type	Voltage	Outputs
LG5929-60-100-61	\$136.00	Safety relay extension module	24 VAC/VDC	5 N.O./1 N.C.

Safety Data – Values per EN ISO 13849-1

Category	4 according to EN 954-1
Performance level	PLe according to EN 13849-1
MTTF_d	>100 years
DC_{avg}	99%

Safety Data – Values per IEC/EN 62061 /IEC/EN 61508

SIL CL	3 per IEC/EN 62061
SIL	3 per IEC/EN 61508
HFT (Hardware Failure Tolerance)	1
DC_{avg}	99%
SFF	99.7%
PFH_D	4.68E ⁻¹⁰ h ⁻¹

Safety Relay Extension Module Specification Table

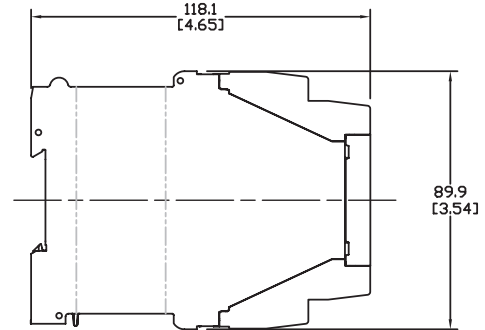
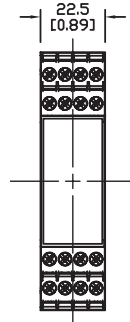
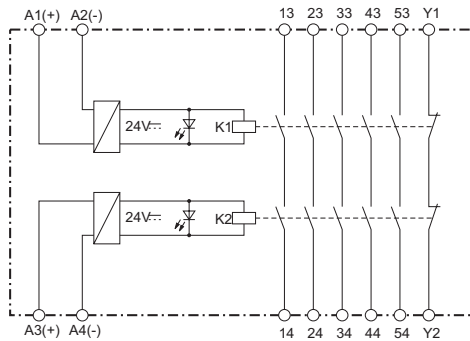
General Specifications	
Temperature	Storage: -25°C to 85°C (-13°F to 185°F) Operating: -15°C to 55°C (5°F to 131°F)
Altitude	< 2,000 meters
Vibration Resistance	Amplitude: 0.35mm, Frequency: 10 to 55 Hz (IEC/EN 60-068-2-6)
Degree of Protection	Per IEC/EN 60 529. Housing: IP40; Terminals IP20
Housing	UL 94V-0 Thermoplastic; Din mount 35 mm x 7.5 mm
Weight	205g (7.23 oz.)
Agency Approvals and Standards	CSA, cULus file E107778, CE, RoHS, TUV
Terminal Designation per EN 50 005 Wire Connections	1x4 mm ² solid or 1 x 2.5 mm ² stranded ferruled (isolated) or 2 x 1.5 mm ² stranded ferruled (isolated) DIN 46 228-1/-2/-3/-4 or 2 x 2.5 mm ² solid per DIN 46 228-1/-2/-3 /-4
Wire Fixing	Plus-minus terminal screws M3.5 box terminals with wire protection or cage clamp terminals.
Input Specifications	
Nominal Voltage	24V AC/DC
Voltage Range	AC: 0.85 to 1.1 U _N At 10% residual ripple: 0.9 to 1.1 U _N ; At 48% residual ripple: 0.85 to 1.1 U _N
Maximum Consumption	24VAC/DC: 1.8VA
Nominal Frequency	50 to 60 Hz
Control Current	Control current typ. at 24V over 2 relays: 75 mA
Overvoltage Protection	Internal VDR (Voltage Dependent Resistor)
Output Specifications	
Electrical Contact Life	To AC15 at 2 A,230V: 10 ⁵ switching cycles IEC/EN 60 947-5-1
Mechanical Life	20 x 10 ⁶ switching cycles
Contact Type	5 N.O. positively driven and 1 N.C. relay contacts (N.O. contacts are safety contacts)
Operate/Release Time	Operate typ at U _N : 20 ms.; Release typ at U _N : 35 ms.
Nominal Output Voltage	250VAC
Thermal Current (I_{th})	Max. 5A per contact. See continuous current limit curve in installation manual.
Short Circuit Strength	Max fuse rating:10A gl (IEC/EN 60 9470-5-1); Line circuit breaker: B6A
Switching Capacity IEC/EN 60 947-5-1	AC 15: N.O. contacts: 3A/230V; N.C. contacts: 2A/230VAC DC 13: N.O. contacts: 4A/24V; N.C. contacts: 4A/24VDC; N.O. contact: 8A/24V >25x10 ³ ON: 0.4s, OFF: 9.6s
Switching Frequency	Max. 1,200 switching cycles/hr

Dold LG5929 Extension Module

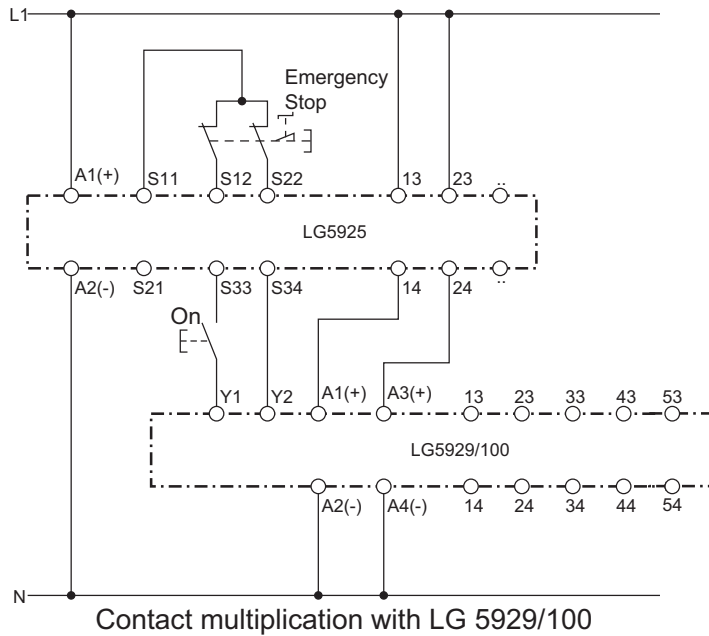
Wiring

Dimensions mm [in]

LG5929 Block Diagram



Applications



Note: This is a representative drawing. Depending on the LG5925 safety relay you select, different voltage sources may be required.

**Note: When switching inductive loads, surge suppressors are recommended.*

Safety Products



Warning: Safety products sold by AutomationDirect are Safety components only. The purchaser/installer is solely responsible for the application of these components and ensuring all necessary steps have been taken to assure each application and use meets all performance and applicable safety requirements and/or local, national and/or international safety codes as required by the application. AutomationDirect cannot certify that our products, used solely or in conjunction with other AutomationDirect or other vendors' products, will assure safety for any application. Any person using or applying any products sold by AutomationDirect is responsible for learning the safety requirements for their individual application and applying them, and therefore assumes all risks, and accepts full and complete responsibility, for the selection and suitability of the product for their respective application.

AutomationDirect does not provide design or consulting services, and cannot advise whether any specific application or use of our products would ensure compliance with the safety requirements for any application.