

# Dold LG5924 Series

## 1-Channel Emergency Stop



**LG5924-48-61-24**

Designed to protect people and machines in applications with E-stop buttons.

- Single channel operation
- Output options: 2 N.O. contacts, or 3 N.O. contacts and 1 N. C. contact
- LED indicators for power and state of operation
- Short circuit detection between terminal Y1 and common

### Safety Data – Values per EN ISO 13849-1

Category	2 according to EN 954-1
Performance level	PLd according to EN 13849-1
MTTF <sub>d</sub>	180.3 years
DC <sub>avg</sub>	99%

### Safety Data – Values per IEC/EN 62061 /IEC/EN 61508

SIL CL	2 per IEC/EN 62061
SIL	2 per IEC/EN 61508
HFT (Hardware Failure Tolerance)	1
DC <sub>avg</sub>	99%
SFF	99.7%
PFH <sub>D</sub>	2.60E <sup>-10</sup> h <sup>-1</sup>

### LG5924 Series Single Channel Safety Relays Selection Chart

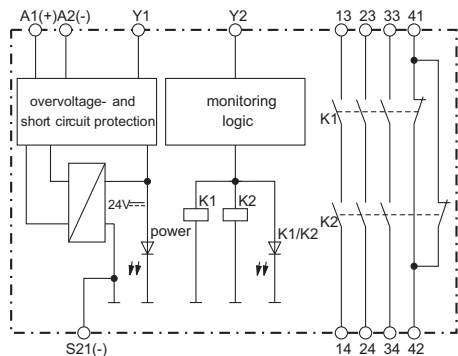
Part Number	Price	Marking Type	Voltage	Outputs
<a href="#">LG5924-02-61-24</a>	\$126.00	1-channel E-STOP	24 VDC	2 N.O.
<a href="#">LG5924-48-61-24</a>	\$140.00	1-channel E-STOP	24 VDC	3 N.O. and 1 N.C.
<a href="#">LG5924-48-61-110</a>	\$160.00	1-channel E-STOP	110 VAC	3 N.O. and 1 N.C.
<a href="#">LG5924-48-61-230</a>	\$160.00	1-channel E-STOP	230 VAC	3 N.O. and 1 N.C.

### LG5924 Controllers Safety Relay Specification Table

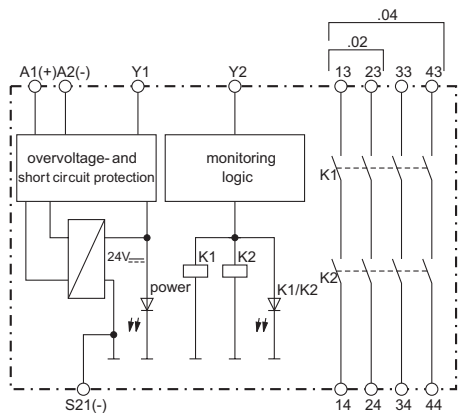
General Specifications	
Temperature	Storage: -25°C to 85°C (-13°F to 185°F) Operating: -15°C to 55°C (5°F to 131°F)
Altitude	< 2,000 meters
Vibration Resistance	Amplitude: 0.35mm, Frequency: 10 to 55 Hz (IEC/EN 60-068-2-6)
Degree of Protection	Per IEC/EN 60 529. Housing: IP40; Terminals IP20
Housing	UL 94V-0 Thermoplastic; DIN mount, 35 mm x 7.5 mm
Weight	LG5924 24VDC 200 g (7.05 oz.) LG5924 110, 230VAC 270 g (9.52 oz.)
Agency Approvals and Standards	cULus file E107778, CE, RoHS, TUV
Terminal Designation per EN 50 005 Wire Connections	1x4 mm <sup>2</sup> solid or 1 x 2.5 mm <sup>2</sup> stranded ferruled (isolated) or 2 x 1.5 mm <sup>2</sup> stranded ferruled (isolated) DIN 46 228-1/-2/-3/-4 or 2 x 2.5 mm <sup>2</sup> solid DIN 46 228-1/-2/-3
Wire Fixing	Plus-minus terminal screws M3.5 box terminals with self-lifting wire protection or cage clamp terminals.
Input Specifications	
Nominal Voltage	110, 230VAC, 24VDC
Voltage Range	AC: 0.85 to 1.1 UN. At 10% residual ripple: DC: 0.9 to 1.1 UN. At 48% residual ripple: DC: 0.85 to 1.1 UN
Maximum Consumption	230VAC approx. 3.5 A; 24V DC approx. 1.5W
Nominal Frequency	50 to 60 Hz
Control Voltage on Y1	24VDC: typ. 22VDC. 110V, 230V AC: typ. 45VDC
Control Current	24VDC: typ. DC 65mA. 110V, 230V AC: typ. AC 16 mA
Short Circuit Protection	Internal with PTC (Positive Temperature Coefficient resistor)
Overvoltage Protection	Internal VDR (Voltage Dependent Resistor)
Output Specifications	
Electrical Contact Life	According to DC15: at 5A, 230V AC: >1.5x150,000 switching cycles. According to DC13: N.O. contacts, 2 contacts in series: 8A/24V >25x25,000. ON: 0.4s, OFF: 9.6 s
Mechanical Life	>10x10 <sup>6</sup> switching cycles
Contact Type	LG5924.02: 2 N.O. relay contacts, positively driven. LG5924.48: 3 N.O. positively driven and 1 N.C relay contacts. (N.O. contacts are safety contacts.)
Operate Delay	Operate delay: 24VDC: typ. 40 ms; 110VAC, 230VAC typ. 200ms
Release Delay	Release delay: 24VAC/DC typ. 70 ms; 230VAC typ. 35ms
Nominal Output Voltage	250VAC
Thermal Current (I <sub>th</sub> )	Max. 5A. See continuous current limit curve in installation manual.
Short Circuit Strength	Max. fuse rating: 10A gL (IEC/EN 60 947-5-1); Line circuit breaker: B 6A
Switching Capacity (IEC/EN 60947-5-1)	To AC 15: N.O. contacts: 3A/230VAC; N.C. contacts: 2A/230VAC To DC 13: N.C. contacts: 4A/24VDC; N.O. contacts: 4A/24VDC; 0.5A/110V
Switching Frequency	Max. 600 switching cycles/hr

# Dold LG5924 Series 1-Channel Emergency Stop

## LG5924 Block Diagrams



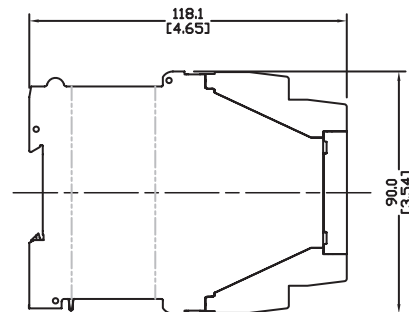
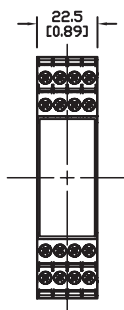
**LG5924.48**



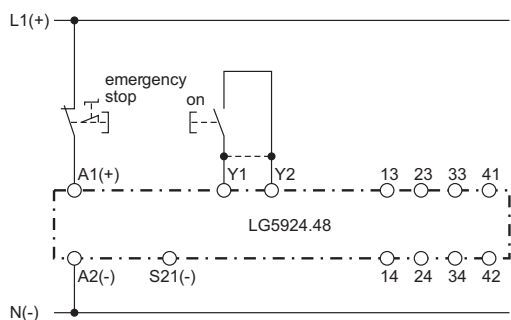
**LG5924**

## Dimensions

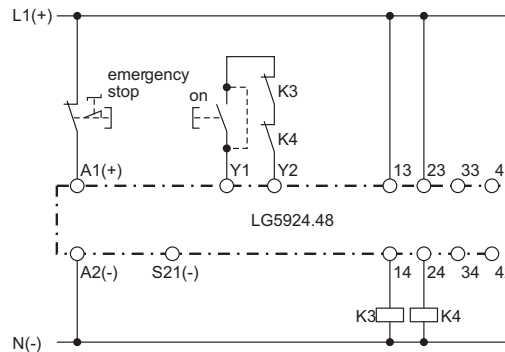
mm [in]



## Applications



Single-channel, emergency-stop circuit without feedback loop, with or without automatic restart. For automatic restart, terminals Y1 - Y2 must be jumpered. No ON pushbutton necessary.



Contact reinforcement by external contactors, 2-channel controlled. For currents > 5A, the output contacts can be reinforced by external contactors. Functioning of the external contactors is monitored by looping the N.C. contacts into the start circuit (Y1 - Y2).

*\*Note: When switching inductive loads, surge suppressors are recommended.*

# Dold LG5929 Extension Module



Additional contacts for emergency-stop modules and safety gate monitors.

- 1-channel or 2-channel connection
- LED indication for operation
- Output: 5 N.O. and 1 N.C. contacts

## Safety Relays Selection Chart

Part Number	Price	Marking Type	Voltage	Outputs
<b>LG5929-60-100-61</b>	\$136.00	Safety relay extension module	24 VAC/VDC	5 N.O./1 N.C.

## Safety Data – Values per EN ISO 13849-1

<b>Category</b>	<b>4 according to EN 954-1</b>
<b>Performance level</b>	PLe according to EN 13849-1
<b>MTTF<sub>d</sub></b>	>100 years
<b>DC<sub>avg</sub></b>	99%

## Safety Data – Values per IEC/EN 62061 /IEC/EN 61508

<b>SIL CL</b>	3 per IEC/EN 62061
<b>SIL</b>	3 per IEC/EN 61508
<b>HFT (Hardware Failure Tolerance)</b>	1
<b>DC<sub>avg</sub></b>	99%
<b>SFF</b>	99.7%
<b>PFH<sub>D</sub></b>	4.68E <sup>-10</sup> h <sup>-1</sup>

## Safety Relay Extension Module Specification Table

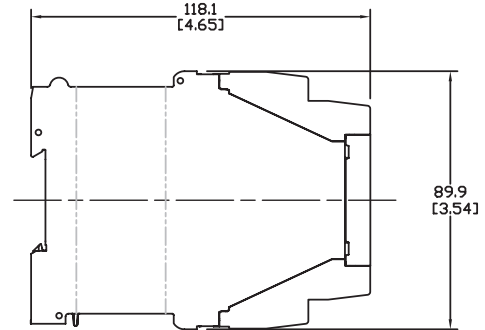
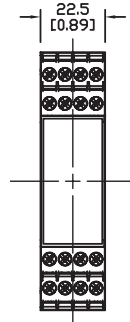
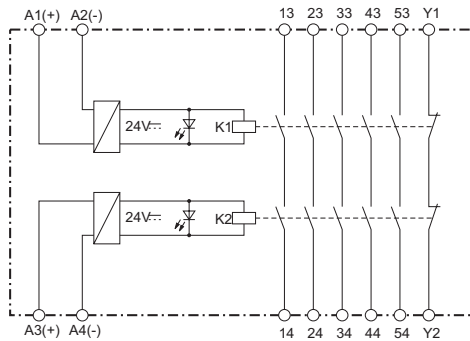
General Specifications	
<b>Temperature</b>	Storage: -25°C to 85°C (-13°F to 185°F) Operating: -15°C to 55°C (5°F to 131°F)
<b>Altitude</b>	< 2,000 meters
<b>Vibration Resistance</b>	Amplitude: 0.35mm, Frequency: 10 to 55 Hz (IEC/EN 60-068-2-6)
<b>Degree of Protection</b>	Per IEC/EN 60 529. Housing: IP40; Terminals IP20
<b>Housing</b>	UL 94V-0 Thermoplastic; Din mount 35 mm x 7.5 mm
<b>Weight</b>	205g (7.23 oz.)
<b>Agency Approvals and Standards</b>	CSA, cULus file E107778, CE, RoHS, TUV
<b>Terminal Designation per EN 50 005 Wire Connections</b>	1x4 mm <sup>2</sup> solid or 1 x 2.5 mm <sup>2</sup> stranded ferruled (isolated) or 2 x 1.5 mm <sup>2</sup> stranded ferruled (isolated) DIN 46 228-1/-2/-3/-4 or 2 x 2.5 mm <sup>2</sup> solid per DIN 46 228-1/-2/-3 /-4
<b>Wire Fixing</b>	Plus-minus terminal screws M3.5 box terminals with wire protection or cage clamp terminals.
Input Specifications	
<b>Nominal Voltage</b>	24V AC/DC
<b>Voltage Range</b>	AC: 0.85 to 1.1 U <sub>N</sub> At 10% residual ripple: 0.9 to 1.1 U <sub>N</sub> ; At 48% residual ripple: 0.85 to 1.1 U <sub>N</sub>
<b>Maximum Consumption</b>	24VAC/DC: 1.8VA
<b>Nominal Frequency</b>	50 to 60 Hz
<b>Control Current</b>	Control current typ. at 24V over 2 relays: 75 mA
<b>Overvoltage Protection</b>	Internal VDR (Voltage Dependent Resistor)
Output Specifications	
<b>Electrical Contact Life</b>	To AC15 at 2 A,230V: 10 <sup>5</sup> switching cycles IEC/EN 60 947-5-1
<b>Mechanical Life</b>	20 x 10 <sup>6</sup> switching cycles
<b>Contact Type</b>	5 N.O. positively driven and 1 N.C. relay contacts (N.O. contacts are safety contacts)
<b>Operate/Release Time</b>	Operate typ at U <sub>N</sub> : 20 ms.; Release typ at U <sub>N</sub> : 35 ms.
<b>Nominal Output Voltage</b>	250VAC
<b>Thermal Current (I<sub>th</sub>)</b>	Max. 5A per contact. See continuous current limit curve in installation manual.
<b>Short Circuit Strength</b>	Max fuse rating:10A gl (IEC/EN 60 9470-5-1); Line circuit breaker: B6A
<b>Switching Capacity IEC/EN 60 947-5-1</b>	AC 15: N.O. contacts: 3A/230V; N.C. contacts: 2A/230VAC DC 13: N.O. contacts: 4A/24V; N.C. contacts: 4A/24VDC; N.O. contact: 8A/24V >25x10 <sup>3</sup> ON: 0.4s, OFF: 9.6s
<b>Switching Frequency</b>	Max. 1,200 switching cycles/hr

# Dold LG5929 Extension Module

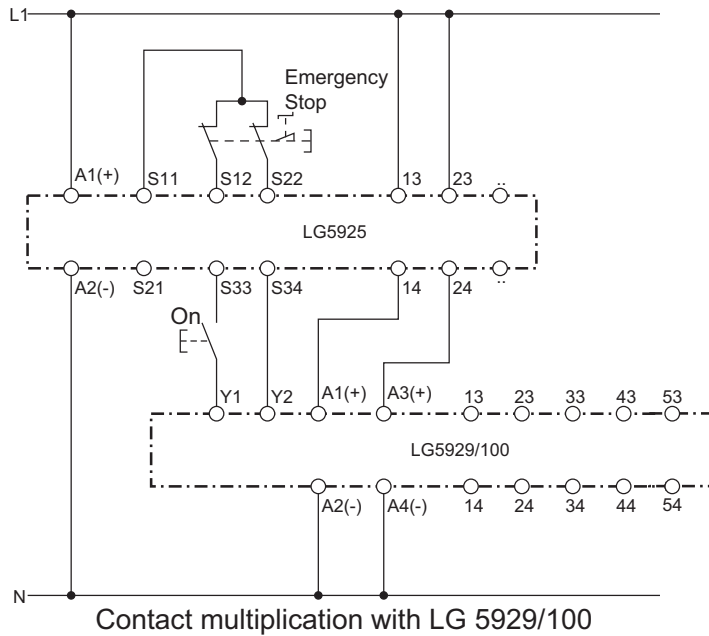
## Wiring

## Dimensions mm [in]

**LG5929 Block Diagram**



## Applications



*Note: This is a representative drawing. Depending on the LG5925 safety relay you select, different voltage sources may be required.*

*\*Note: When switching inductive loads, surge suppressors are recommended.*

# Safety Products



*Warning: Safety products sold by AutomationDirect are Safety components only. The purchaser/installer is solely responsible for the application of these components and ensuring all necessary steps have been taken to assure each application and use meets all performance and applicable safety requirements and/or local, national and/or international safety codes as required by the application. AutomationDirect cannot certify that our products, used solely or in conjunction with other AutomationDirect or other vendors' products, will assure safety for any application. Any person using or applying any products sold by AutomationDirect is responsible for learning the safety requirements for their individual application and applying them, and therefore assumes all risks, and accepts full and complete responsibility, for the selection and suitability of the product for their respective application.*

*AutomationDirect does not provide design or consulting services, and cannot advise whether any specific application or use of our products would ensure compliance with the safety requirements for any application.*