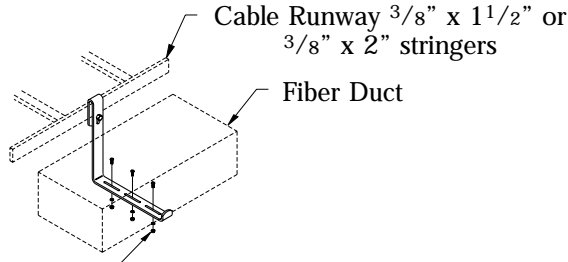


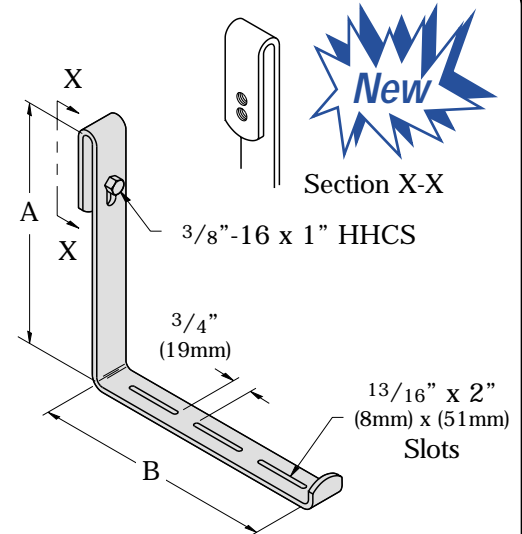
# CABLE RUNWAY ACCESSORIES

## Cable Runway/Fiber Duct Support

- Use to support fiber duct from stringer of cable runway.
- Includes: (1) bracket support and hardware.
- Material: ASTM A36 structural steel
- Finish: Telco Gray Powder Coat (TG)



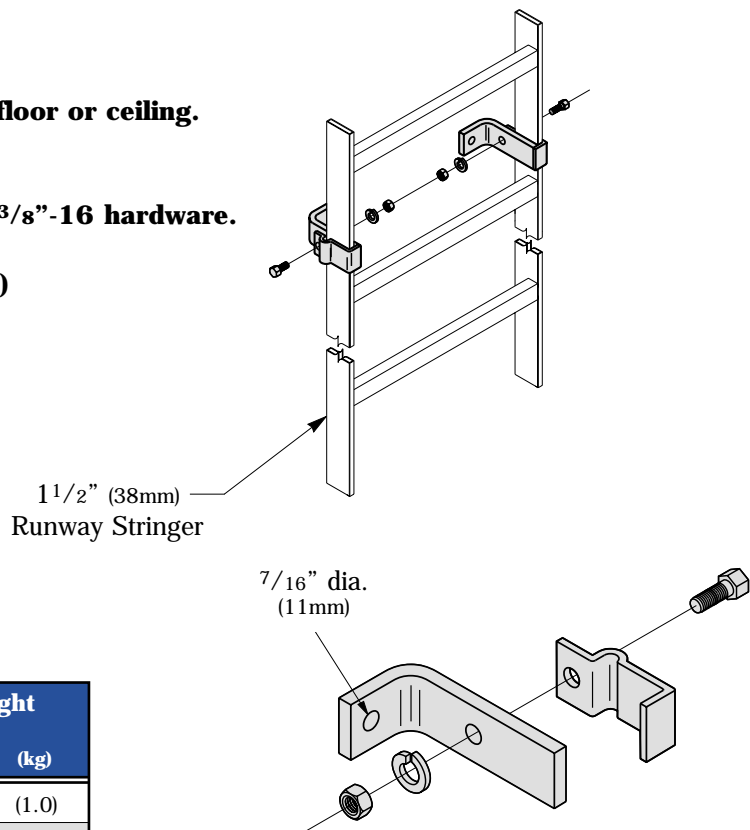
(3) #10-32 X 1/2" PHMS, Lock Washers & Nuts



Part Number	'A'		'B'		# of Slots	# of Screws	Weight	
	In.	(mm)	In.	(mm)			Lbs.	(kg)
<b>SB-765-4<sup>1</sup>/<sub>2</sub> x 5 TG</b>	4 <sup>1</sup> / <sub>2</sub> "	(114)	5 <sup>1</sup> / <sub>16</sub> "	(128)	1	1	.71	(0.32)
<b>SB-765-4<sup>1</sup>/<sub>2</sub> x 9 TG</b>	4 <sup>1</sup> / <sub>2</sub> "	(114)	9 <sup>1</sup> / <sub>16</sub> "	(230)	3	3	.74	(0.33)
<b>SB-765-9 x 5 TG</b>	9"	(228)	5 <sup>1</sup> / <sub>16</sub> "	(128)	1	1	.71	(0.32)
<b>SB-765-9 x 7 TG</b>	9"	(228)	7 <sup>1</sup> / <sub>16</sub> "	(179)	2	2	.71	(0.32)
<b>SB-765-9 x 9 TG</b>	9"	(228)	9 <sup>1</sup> / <sub>16</sub> "	(230)	3	3	.74	(0.33)

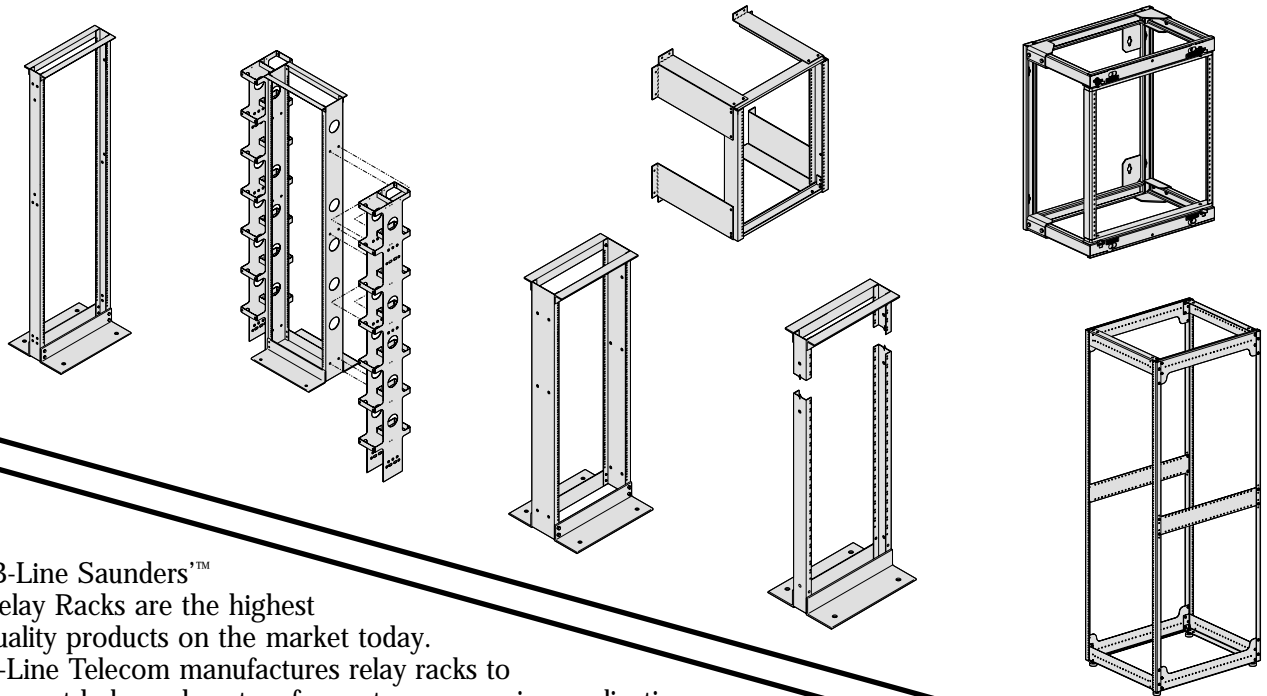
## Runway Stand-Off Kit

- Use to secure cable runway to wall, floor or ceiling.
- Provides 2<sup>1</sup>/<sub>2</sub>" (63mm) clearance.
- Order anchors separately.
- Includes: (2) stand-off supports and 3/8"-16 hardware.
- Material: ASTM A36 structural steel
- Finish: Yellow Zinc Dichromate (YZN)



Part Number	Runway Height		Weight	
	In.	(mm)	Lbs.	(kg)
<b>SB-2109</b>	1 <sup>1</sup> / <sub>2</sub> "	(38)	2.2	(1.0)
<b>SB-2109-2</b>	2"	(51)	2.5	(1.1)

# SAUNDERS™ RELAY RACKS



Relay Racks

B-Line Saunders™ Relay Racks are the highest quality products on the market today. B-Line Telecom manufactures relay racks to support hubs and routers for customer premise applications or to support power and transmission equipment in the central office environment. All B-Line Telecom racks are manufactured to conform to or exceed EIA-310-D and some are even UL Listed.

B-Line Telecom relay racks are constructed in either highly durable 6061-T6 aluminum or heavy duty steel. Racks are available in 19" (482mm) and 23" (584mm) widths, 36" (914mm) to 140" (3556mm) heights and a variety of finishes which include brush satin aluminum, telco gray, flat black, computer white or custom colors unique to your installation.

B-Line Telecom's customer premise rack offers a versatile approach to voice and data installations. Constructed of sturdy brushed aluminum, B-Line Telecom's 84" (2133mm) x 19" (482mm) customer premise relay rack is equipped with universal mounting hole spacing 5/8" x 5/8" x 1/2" (16mm x 16mm x 13mm) for panel mounting, two top angles for more rigidity and tapped assembly holes for self-squaring. The SB-556-084-XU is designed for junctioning compatibility with other major rack manufacturers. Superior design and top quality manufacturing make B-Line Telecom racks the industry standard.

B-Line System's commitment to quality and innovation is witnessed in our product offering and its adaptability to an ever-changing industry.

<b><u>Material:</u></b>	<b><u>Type</u></b>	<b><u>Thickness</u></b>	<b><u>Specifications</u></b>
	Steel Bar	..... 3/8" (9.5mm) - 7 Gauge (4.5mm)	..... ASTM A36
	Steel Strip	..... 10 Gauge (3.4mm) - 12 Gauge (2.6mm)	..... ASTM A569
	Aluminum	.....	..... 6061-T6

<b><u>Finishes:</u></b>		
	Brushed Aluminum	..... ASTM A480
	Powder Coat Paint	..... ASTM D3451
	- Telco Gray (TG)	
	- Computer White (CW)	
	- Flat Black (FB)	
	Chemical Conversion Coatings Available	

<b><u>Standard Conformance:</u></b>
EIA-310-D
UL - Listed Communication Circuit Accessory (file no. E171936).