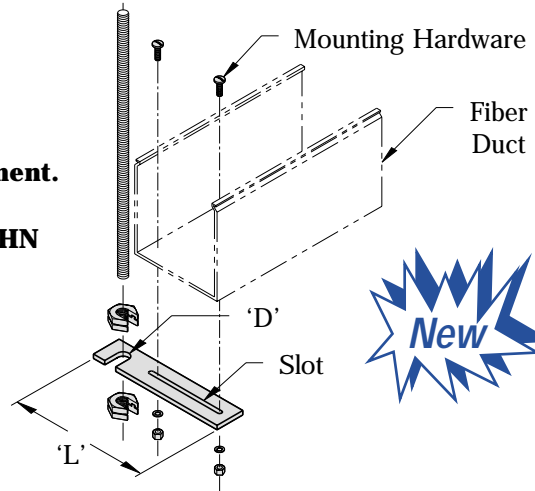


CABLE RUNWAY ACCESSORIES

Threaded Rod Fiber Duct Supports

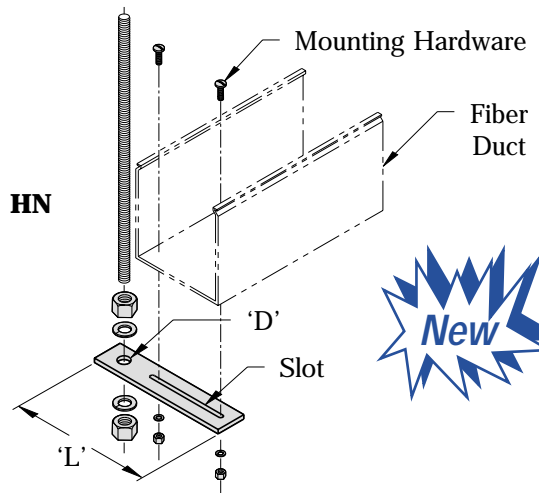
- Use to support fiber duct.
- Slotted for fiber duct attachment.
- Slip-On nuts and slotted support for mid-rod attachment.
- Includes (1) support plate, (2) slip-on hex nuts and Mounting Hardware of #10-32 x 1/2" PHMS, LW, & HN (qty. shown in chart).
- 4" (101mm) & 6" (152mm) lengths have (1) slot - 10" length (254mm) has (3) slots.
- Material: 3/16" (4.7mm) x 1 1/4" (31.7mm) steel
- Finish: Telco Gray Powder Coat (TG)



Part Number	'L'		'D'		Slot Size		# of Screws	Weight	
	In.	(mm)	In.	(mm)	In.	(mm)		Lbs.	(kg)
SB-760-1/2 x 4 TG	4	(101)	.53	(13)	.203 x 2	(5 x 51)	2	0.6	(.27)
SB-760-1/2 x 6 TG	6	(152)	.53	(13)	.203 x 3.75	(5 x 95)	2	0.7	(.32)
SB-760-1/2 x 10 TG	10	(254)	.53	(13)	.203 x 2	(5 x 51)	3	1.0	(.45)
SB-760-5/8 x 4 TG	4	(101)	.65	(16)	.203 x 2	(5 x 51)	2	0.7	(.32)
SB-760-5/8 x 6 TG	6	(152)	.65	(16)	.203 x 3.75	(5 x 95)	2	0.8	(.36)
SB-760-5/8 x 10 TG	10	(254)	.65	(16)	.203 x 2	(5 x 51)	3	1.1	(.50)

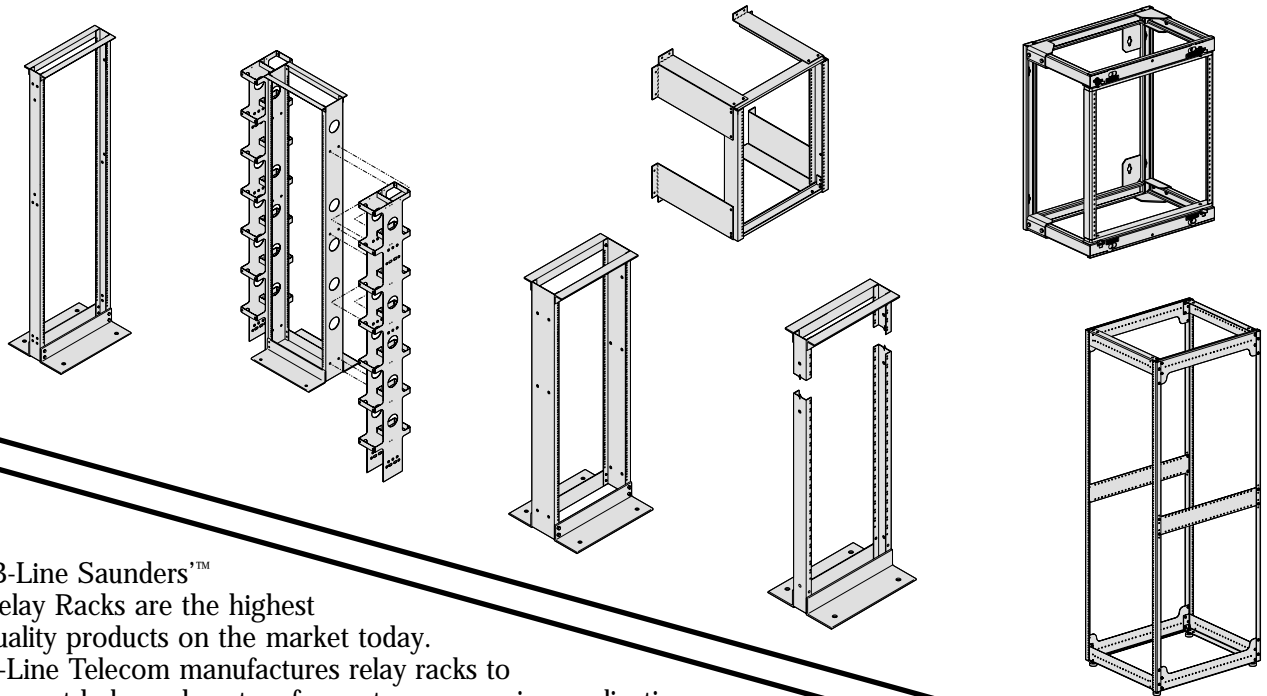
Threaded Rod Fiber Duct Supports

- Use to support fiber duct.
- Slotted for fiber duct attachment.
- Includes (1) support plate, (2) HN, (2) LW and Mounting Hardware of #10-32 x 1/2" PHMS, LW, & HN (qty. shown in chart).
- 4" (101mm) & 6" (152mm) lengths have (1) slot - 10" length (254mm) has (3) slots.
- Material: 3/16" (4.7mm) x 1 1/4" (31.7mm) steel
- Finish: Telco Gray Powder Coat (TG)



Part Number	'L'		'D'		Slot Size		# of Screws	Weight	
	In.	(mm)	In.	(mm)	In.	(mm)		Lbs.	(kg)
SB-761-1/2 x 4 TG	4	(101)	.53	(13)	.203 x 2	(5 x 51)	2	0.6	(.27)
SB-761-1/2 x 6 TG	6	(152)	.53	(13)	.203 x 3.75	(5 x 95)	2	0.7	(.32)
SB-761-1/2 x 10 TG	10	(254)	.53	(13)	.203 x 2	(5 x 51)	3	1.0	(.45)
SB-761-5/8 x 4 TG	4	(101)	.65	(16)	.203 x 2	(5 x 51)	2	0.7	(.32)
SB-761-5/8 x 6 TG	6	(152)	.65	(16)	.203 x 3.75	(5 x 95)	2	0.8	(.36)
SB-761-5/8 x 10 TG	10	(254)	.65	(16)	.203 x 2	(5 x 51)	3	1.1	(.50)

SAUNDERS™ RELAY RACKS



Relay Racks

B-Line Saunders™ Relay Racks are the highest quality products on the market today. B-Line Telecom manufactures relay racks to support hubs and routers for customer premise applications or to support power and transmission equipment in the central office environment. All B-Line Telecom racks are manufactured to conform to or exceed EIA-310-D and some are even UL Listed.

B-Line Telecom relay racks are constructed in either highly durable 6061-T6 aluminum or heavy duty steel. Racks are available in 19" (482mm) and 23" (584mm) widths, 36" (914mm) to 140" (3556mm) heights and a variety of finishes which include brush satin aluminum, telco gray, flat black, computer white or custom colors unique to your installation.

B-Line Telecom's customer premise rack offers a versatile approach to voice and data installations. Constructed of sturdy brushed aluminum, B-Line Telecom's 84" (2133mm) x 19" (482mm) customer premise relay rack is equipped with universal mounting hole spacing 5/8" x 5/8" x 1/2" (16mm x 16mm x 13mm) for panel mounting, two top angles for more rigidity and tapped assembly holes for self-squaring. The SB-556-084-XU is designed for junctioning compatibility with other major rack manufacturers. Superior design and top quality manufacturing make B-Line Telecom racks the industry standard.

B-Line System's commitment to quality and innovation is witnessed in our product offering and its adaptability to an ever-changing industry.

<u>Material:</u>	<u>Type</u>	<u>Thickness</u>	<u>Specifications</u>
	Steel Bar 3/8" (9.5mm) - 7 Gauge (4.5mm) ASTM A36
	Steel Strip 10 Gauge (3.4mm) - 12 Gauge (2.6mm) ASTM A569
	Aluminum 6061-T6

<u>Finishes:</u>		
	Brushed Aluminum ASTM A480
	Powder Coat Paint ASTM D3451
	- Telco Gray (TG)	
	- Computer White (CW)	
	- Flat Black (FB)	
	Chemical Conversion Coatings Available	

<u>Standard Conformance:</u>
EIA-310-D
UL - Listed Communication Circuit Accessory (file no. E171936).