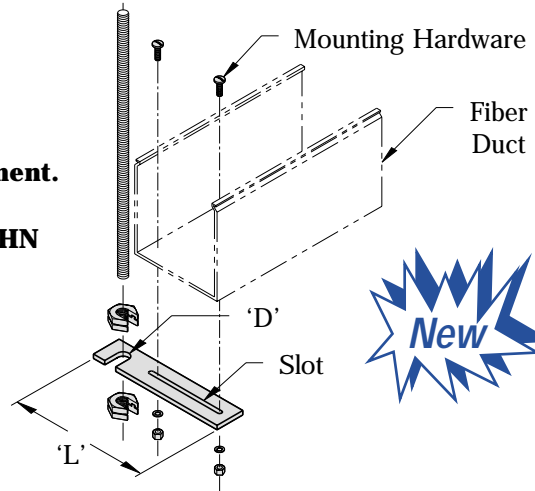


CABLE RUNWAY ACCESSORIES

Threaded Rod Fiber Duct Supports

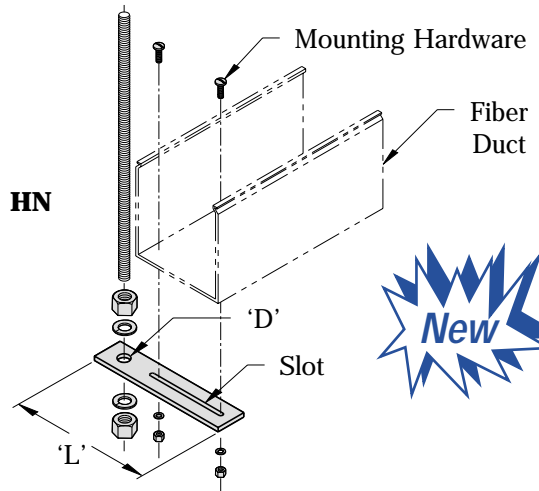
- Use to support fiber duct.
- Slotted for fiber duct attachment.
- Slip-On nuts and slotted support for mid-rod attachment.
- Includes (1) support plate, (2) slip-on hex nuts and Mounting Hardware of #10-32 x 1/2" PHMS, LW, & HN (qty. shown in chart).
- 4" (101mm) & 6" (152mm) lengths have (1) slot - 10" length (254mm) has (3) slots.
- Material: 3/16" (4.7mm) x 1 1/4" (31.7mm) steel
- Finish: Telco Gray Powder Coat (TG)



Part Number	'L'		'D'		Slot Size		# of Screws	Weight	
	In.	(mm)	In.	(mm)	In.	(mm)		Lbs.	(kg)
SB-760-1/2 x 4 TG	4	(101)	.53	(13)	.203 x 2	(5 x 51)	2	0.6	(.27)
SB-760-1/2 x 6 TG	6	(152)	.53	(13)	.203 x 3.75	(5 x 95)	2	0.7	(.32)
SB-760-1/2 x 10 TG	10	(254)	.53	(13)	.203 x 2	(5 x 51)	3	1.0	(.45)
SB-760-5/8 x 4 TG	4	(101)	.65	(16)	.203 x 2	(5 x 51)	2	0.7	(.32)
SB-760-5/8 x 6 TG	6	(152)	.65	(16)	.203 x 3.75	(5 x 95)	2	0.8	(.36)
SB-760-5/8 x 10 TG	10	(254)	.65	(16)	.203 x 2	(5 x 51)	3	1.1	(.50)

Threaded Rod Fiber Duct Supports

- Use to support fiber duct.
- Slotted for fiber duct attachment.
- Includes (1) support plate, (2) HN, (2) LW and Mounting Hardware of #10-32 x 1/2" PHMS, LW, & HN (qty. shown in chart).
- 4" (101mm) & 6" (152mm) lengths have (1) slot - 10" length (254mm) has (3) slots.
- Material: 3/16" (4.7mm) x 1 1/4" (31.7mm) steel
- Finish: Telco Gray Powder Coat (TG)



Part Number	'L'		'D'		Slot Size		# of Screws	Weight	
	In.	(mm)	In.	(mm)	In.	(mm)		Lbs.	(kg)
SB-761-1/2 x 4 TG	4	(101)	.53	(13)	.203 x 2	(5 x 51)	2	0.6	(.27)
SB-761-1/2 x 6 TG	6	(152)	.53	(13)	.203 x 3.75	(5 x 95)	2	0.7	(.32)
SB-761-1/2 x 10 TG	10	(254)	.53	(13)	.203 x 2	(5 x 51)	3	1.0	(.45)
SB-761-5/8 x 4 TG	4	(101)	.65	(16)	.203 x 2	(5 x 51)	2	0.7	(.32)
SB-761-5/8 x 6 TG	6	(152)	.65	(16)	.203 x 3.75	(5 x 95)	2	0.8	(.36)
SB-761-5/8 x 10 TG	10	(254)	.65	(16)	.203 x 2	(5 x 51)	3	1.1	(.50)