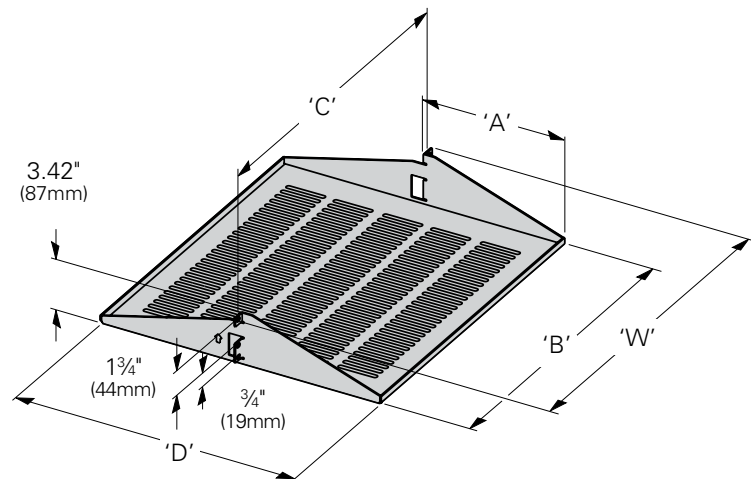
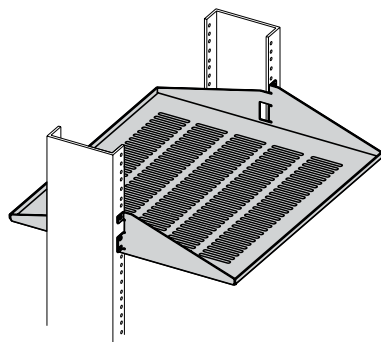


Low Profile Rack Mounted Shelf Ventilated Shelf

- Use to center mount networking or other equipment
- Designed to work with the following mounting spaces: universal [$\frac{5}{8}$ ", $\frac{5}{8}$ ", $\frac{1}{2}$ " (16mm, 16mm, 13mm)] spacing, wide [$1\frac{1}{4}$ ", $\frac{1}{2}$ " (32mm, 13mm)] spacing or $\frac{1}{2}$ " (13mm) spacing
- Two (2) mounting spaces required
- 50 lbs. (.23kg) load capacity
- Includes: #12-24 mounting hardware
- Material: 0.090 (2.3mm) thick Aluminum sheet or 14 Gauge (1.9mm) ASTM 569 Steel
- Finish ____: Aluminum - brushed (AL)
Flat black powder coat (FB)
Telco gray powder coat (TG)
Silver powder coat (SL)



Part Number	Mat'l.	Rack Width 'W' In. (mm)	'A'		'B'		'C'		'D'		Weight	
			In.	(mm)	In.	(mm)	In.	(mm)	In.	(mm)	Lbs.	(kg)
SB745V1916A__	Alum	19" (482)	8"	(203)	17 $\frac{1}{4}$ "	(438)	18 $\frac{5}{16}$ "	(465)	16"	(406)	3.0	(1.3)
SB745V1916S__	Steel	19" (482)	8"	(203)	17 $\frac{1}{4}$ "	(438)	18 $\frac{5}{16}$ "	(465)	16"	(406)	8.7	(3.9)
SB745V1919A__	Alum	19" (482)	9 $\frac{1}{2}$ "	(241)	17 $\frac{1}{4}$ "	(438)	18 $\frac{5}{16}$ "	(465)	19"	(482)	3.7	(1.7)
SB745V1919S__	Steel	19" (482)	9 $\frac{1}{2}$ "	(241)	17 $\frac{1}{4}$ "	(438)	18 $\frac{5}{16}$ "	(465)	19"	(482)	10.7	(4.8)
SB745V2316A__	Alum	23" (584)	8"	(203)	21 $\frac{1}{4}$ "	(540)	22 $\frac{5}{16}$ "	(567)	16"	(406)	3.7	(1.7)
SB745V2316S__	Steel	23" (584)	8"	(203)	21 $\frac{1}{4}$ "	(540)	22 $\frac{5}{16}$ "	(567)	16"	(406)	10.7	(4.8)
SB745V2319A__	Alum	23" (584)	9 $\frac{1}{2}$ "	(241)	21 $\frac{1}{4}$ "	(540)	22 $\frac{5}{16}$ "	(567)	19"	(482)	4.9	(2.2)
SB745V2319S__	Steel	23" (584)	9 $\frac{1}{2}$ "	(241)	21 $\frac{1}{4}$ "	(540)	22 $\frac{5}{16}$ "	(567)	19"	(482)	14.2	(6.4)

Specify part number and finish when ordering.