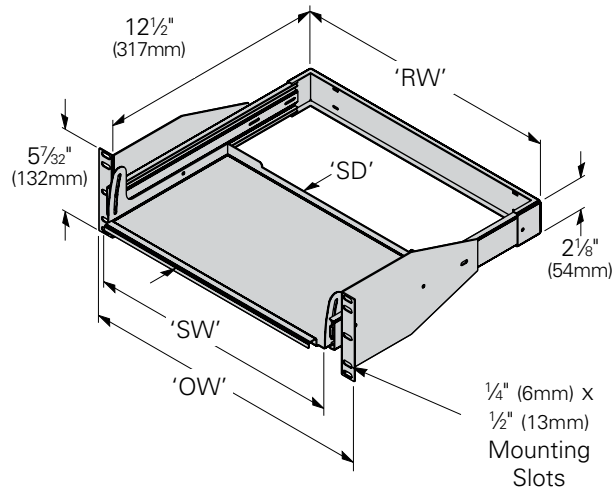


## Rack Mounted Keyboard Tray, Sliding/Tilting

- Use to mount keyboard allowing adjustment to convenient working angle
- Slide allows keyboard to be recessed when not in use
- Three (3) mounting spaces required
- Up to 50 lbs. (.23kg) load capacity
- Includes: #12-24 mounting hardware
- Material: .090 (2.3mm) Aluminum sheet
- Finish \_\_\_\_: Aluminum - brushed (AL)  
Flat black powder coat (FB)  
Telco gray powder coat (TG)  
Silver powder coat (SL)



Part Number	Rack Width		Overall Shelf Width 'OW'		Rear Width 'RW'		Shelf Width 'SW'		Shelf Depth 'SD'	
	In.	(mm)	In.	(mm)	In.	(mm)	In.	(mm)	In.	(mm)
SB742T19__	19"	(482)	18.9"	(480)	17 1/2"	(444)	15"	(381)	9"	(228)
SB742T23__	23"	(584)	22.9"	(581)	21 1/2"	(546)	19"	(482)	9"	(228)

Part Number	Shelf Assembly (Closed)		Shelf Assembly (Open)		Weight	
	In.	(mm)	In.	(mm)	Lbs.	(kg)
SB742T19__	14 1/2"	(368)	27"	(686)	7.5	(3.4)
SB742T23__	18 1/2"	(470)	31"	(787)	8.5	(3.8)

Specify part number and finish when ordering.