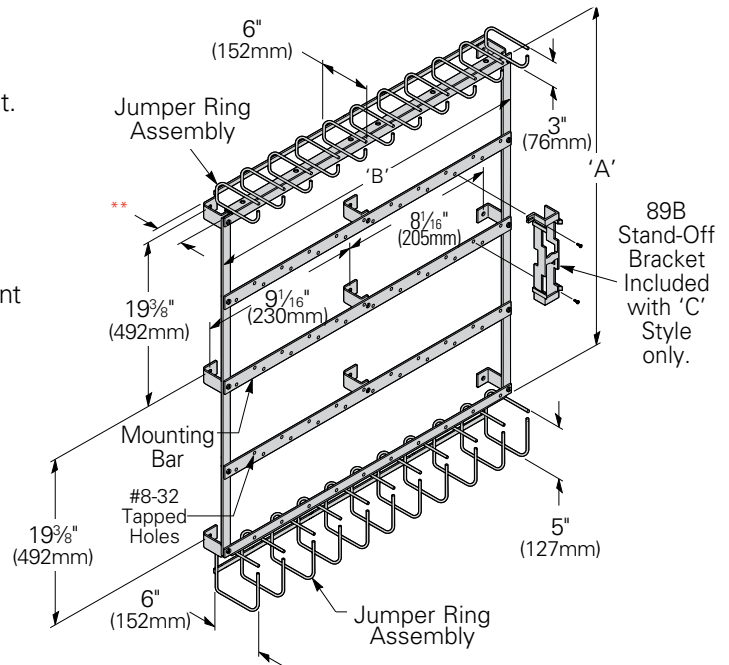


Wall Mounted Cross-Connect Frame

- Use to support 66M - Type quick connect blocks
- "A" style assemblies do not include standoff bracket.
"C" style assemblies include standoff brackets for 89B terminal blocks.
- "E" style assemblies include standoff brackets for 89D terminal blocks
- Shipped fully assembled
- Jumper rings provided for convenient wire management
- Material: ASTM A569 & A36
Steel frame
Steel jumper rings
Nylon block stand-off brackets
- Finish: Frame - Yellow Zinc
Jumper rings - Black Powder Coat
89B block stand-off brackets - Natural



Part Number	'A'		'B'		Number of Block Spaces Rows / Columns	Weight	
	In.	(mm)	In.	(mm)		Lbs.	(kg)
SB7200204A	20"	(508)	16 3/4"	(425)	2 / 4	18.0	(8.1)
SB7200206A	20"	(508)	24 1/4"	(616)	2 / 6	22.0	(10.0)
SB7200210A	20"	(508)	39 1/8"	(994)	2 / 10	33.0	(14.9)
SB7200304A	30"	(762)	16 3/4"	(425)	3 / 4	21.0	(9.5)
SB7200306A	30"	(762)	24 1/4"	(616)	3 / 6	26.0	(11.8)
SB7200310A	30"	(762)	39 1/8"	(994)	3 / 10	38.0	(17.2)
SB7200404A	40"	(1016)	16 3/4"	(425)	4 / 4	25.0	(11.3)
SB7200406A	40"	(1016)	24 1/4"	(616)	4 / 6	30.0	(13.6)
SB7200410A	40"	(1016)	39 1/8"	(994)	4 / 10	44.0	(19.9)
SB7200204C	20"	(508)	16 3/4"	(425)	2 / 4	20.0	(9.1)
SB7200206C	20"	(508)	24 1/4"	(616)	2 / 6	25.0	(11.3)
SB7200210C	20"	(508)	39 1/8"	(994)	2 / 10	37.0	(16.8)
SB7200304C	30"	(762)	16 3/4"	(425)	3 / 4	24.0	(10.9)
SB7200306C	30"	(762)	24 1/4"	(616)	3 / 6	30.0	(13.6)
SB7200310C	30"	(762)	39 1/8"	(994)	3 / 10	44.0	(19.9)
SB7200404C	40"	(1016)	16 3/4"	(425)	4 / 4	29.0	(13.1)
SB7200406C	40"	(1016)	24 1/4"	(616)	4 / 6	35.0	(15.9)
SB7200410C	40"	(1016)	39 1/8"	(994)	4 / 10	52.0	(23.6)
SB7200204E	20"	(508)	16 3/4"	(425)	2 / 4	20.0	(9.1)
SB7200206E	20"	(508)	24 1/4"	(616)	2 / 6	25.0	(11.3)
SB7200210E	20"	(508)	39 1/8"	(994)	2 / 10	37.0	(16.8)
SB7200304E	30"	(762)	16 3/4"	(425)	3 / 4	24.0	(10.9)
SB7200306E	30"	(762)	24 1/4"	(616)	3 / 6	30.0	(13.6)
SB7200310E	30"	(762)	39 1/8"	(994)	3 / 10	44.0	(19.9)
SB7200404E	40"	(1016)	16 3/4"	(425)	4 / 4	29.0	(13.1)
SB7200406E	40"	(1016)	24 1/4"	(616)	4 / 6	35.0	(15.9)
SB7200410E	40"	(1016)	39 1/8"	(994)	4 / 10	52.0	(23.6)

Dimensions for SB7200410 Shown Above

** 3 3/16" (81mm) Stand-Off From Wall To Mounting Bar