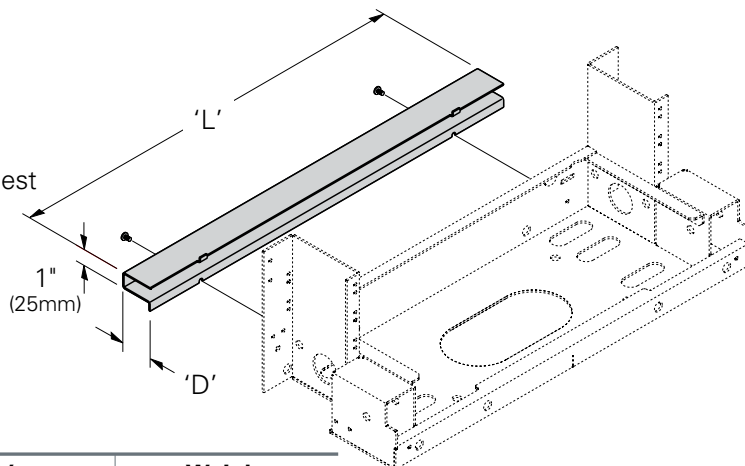


Unequal Flange Equipment Racks & Accessories

Network Bay

Rear Bumper Rail - Network Bay

- Use to protect network bay equipment
- Includes (4) #12-24 bolts and nuts
- Material: 14 Ga. (1.9mm) ASTM A1011SS
- Finish ____: Telco gray powder coat (TG)
Yellow zinc (YZ)
Other finishes are available upon request

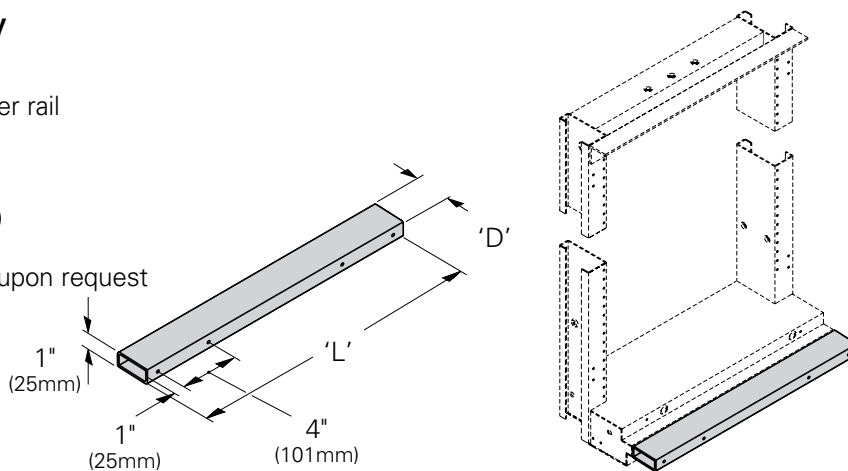


Part Number	'D' Depth		'L' Length		Weight	
	in.	(mm)	in.	(mm)	lbs.	(kg)
SB592319x1 __	1"	(25)	21 ³ / ₁₆ "	(538)	2.4	(1.09)
SB592319x2 __	2"	(51)	21 ³ / ₁₆ "	(538)	2.8	(1.27)
SB592323x1 __	1"	(25)	25 ³ / ₁₆ "	(640)	3.9	(1.77)
SB592323x2 __	2"	(51)	25 ³ / ₁₆ "	(640)	4.6	(2.08)

Specify part number and finish when ordering.

Bumper Rail Extension - Network Bay

- Use to protect network bay equipment
- Can mount to front cover or rear bumper rail
- Includes (4) #12-24 bolts and nuts
- Material: Steel Tubing
- Finish ____: Telco gray powder coat (TG)
Yellow zinc (YZ)
Other finishes are available upon request



Part Number	'D' Depth		'L' Length		Weight	
	in.	(mm)	in.	(mm)	Lbs.	(kg)
SB592419x1 __	1"	(25)	19 ⁷ / ₈ "	(505)	3.13	(1.4)
SB592419x2 __	2"	(51)	19 ⁷ / ₈ "	(505)	4.70	(2.1)
SB592419x3 __	3"	(76)	19 ⁷ / ₈ "	(505)	6.20	(2.8)
SB592423x1 __	1"	(25)	23 ⁷ / ₈ "	(606)	3.56	(1.6)
SB592423x2 __	2"	(51)	23 ⁷ / ₈ "	(606)	5.20	(2.3)
SB592423x3 __	3"	(76)	23 ⁷ / ₈ "	(606)	6.60	(3.0)

Specify part number and finish when ordering.

Unequal flange equipment racks & accs.