

Network Equipment Racks & Accessories

Eaton offers two-post, four-post, fixed wall mount, swing gate wall mount, and seismic zone 4 open frame racks and accessories to support networking equipment and cabling for enterprise data centers, colocation providers and network closets.

- Two-post racks - designed to meet a variety of application requirements.
- Two-post seismic racks - for areas where shock and vibration are a factor and is tested to NEBS GR-63-Core Seismic Zone 4 standards and rated for 900 lbs. of equipment.
- Four-post racks - adjustable depth four-post rack offerings address these needs while also accommodating other Eaton equipment and cable management accessories.

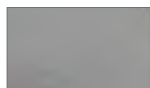
Material:	Type	Thickness	Specifications
	Steel Bar	3/8" (9.5mm) - 7 Gauge (4.5mm)	ASTM A36
	Steel Sheet & Strip	10 Gauge (3.4mm) - 18 Gauge (1.2mm)	ASTM A569
	Aluminum		5052-H32, 6061-T6 & 6063-T6

Finishes:

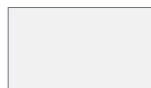
- Brushed Aluminum (AL)
- Powder Coat Paint
 - Flat Black (FB)
 - Telco Gray (TG)
 - Eaton White (EW)
 - Silver (SL)
- Chemical Conversion Coatings Available
 - Yellow Zinc (YZ) . . . ASTM B633
 - Black Zinc (BZ) . . . ASTM B633



(AL)
Brushed
Aluminum



(TG)
Telco Gray



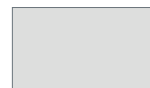
(EW)
Eaton White



(FB)
Flat Black
&
(BZ)
Black Zinc



(YZ)
Yellow Zinc



(SL)
Silver

Standard Conformance:

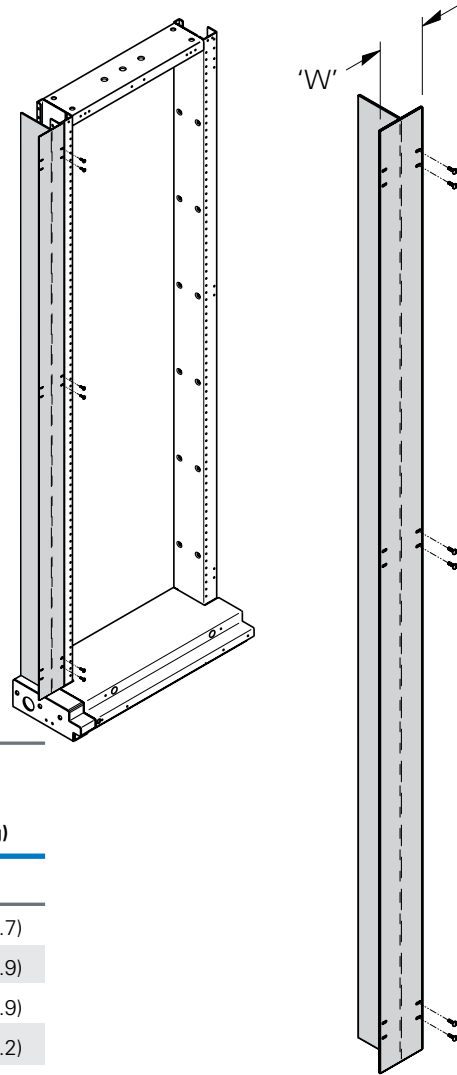
- EIA/ECA-310-E
- UL Listed Communication Circuit Accessory (file no. E171936)
- Audio/Video, Information and Communication Technology Equipment Cabinet, Enclosure and Rack Systems

Unequal Flange Equipment Racks & Accessories

Accessories

Spacer Separator

- Used to create, divide and cover wider cable duct between unequal flange network bay racks
- Includes (1) spacer separator and (16) mounting screws
- Material: 11 Ga. (3.0mm) ASTM A1011SS steel
- Finish ____: Telco gray powder coat (TG)
Yellow zinc (YZ)
Other finishes are available upon request



Part Number	Rack Height		'W' Width		Weight	
	In.	(mm)	In.	(mm)	Lbs.	(kg)
1/2" (13mm) Space Between Racks						
SB59181/2084__	84"	(2133)	2 1/8"	(54)	34.7	(15.7)
SB59181/2090__	90"	(2286)	2 1/8"	(54)	37.2	(16.9)
SB59181/2096__	96"	(2438)	2 1/8"	(54)	39.6	(17.9)
SB59181/2108__	108"	(2743)	2 1/8"	(54)	44.6	(20.2)
SB59181/2138__	138"	(3505)	2 1/8"	(54)	56.9	(25.8)
SB59181/2140__	140"	(3556)	2 1/8"	(54)	57.8	(26.2)
2 1/2" (63mm) Space Between Racks						
SB591821/2084__	84"	(2133)	4 1/8"	(105)	37.5	(17.0)
SB591821/2090__	90"	(2286)	4 1/8"	(105)	40.2	(18.2)
SB591821/2096__	96"	(2438)	4 1/8"	(105)	42.9	(19.4)
SB591821/2108__	108"	(2743)	4 1/8"	(105)	48.3	(21.9)
SB591821/2138__	138"	(3505)	4 1/8"	(105)	61.6	(27.9)
SB591821/2140__	140"	(3556)	4 1/8"	(105)	62.5	(28.3)
5" (127mm) Space Between Racks						
SB59185084__	84"	(2133)	6 5/8"	(168)	44.7	(20.3)
SB59185090__	90"	(2286)	6 5/8"	(168)	47.8	(21.7)
SB59185096__	96"	(2438)	6 5/8"	(168)	51.0	(23.1)
SB59185108__	108"	(2743)	6 5/8"	(168)	57.4	(26.0)
SB59185138__	138"	(3505)	6 5/8"	(168)	73.3	(33.3)
SB59185140__	140"	(3556)	6 5/8"	(168)	74.4	(33.7)

Specify part number and finish when ordering.

Unequal flange equipment racks & accs.