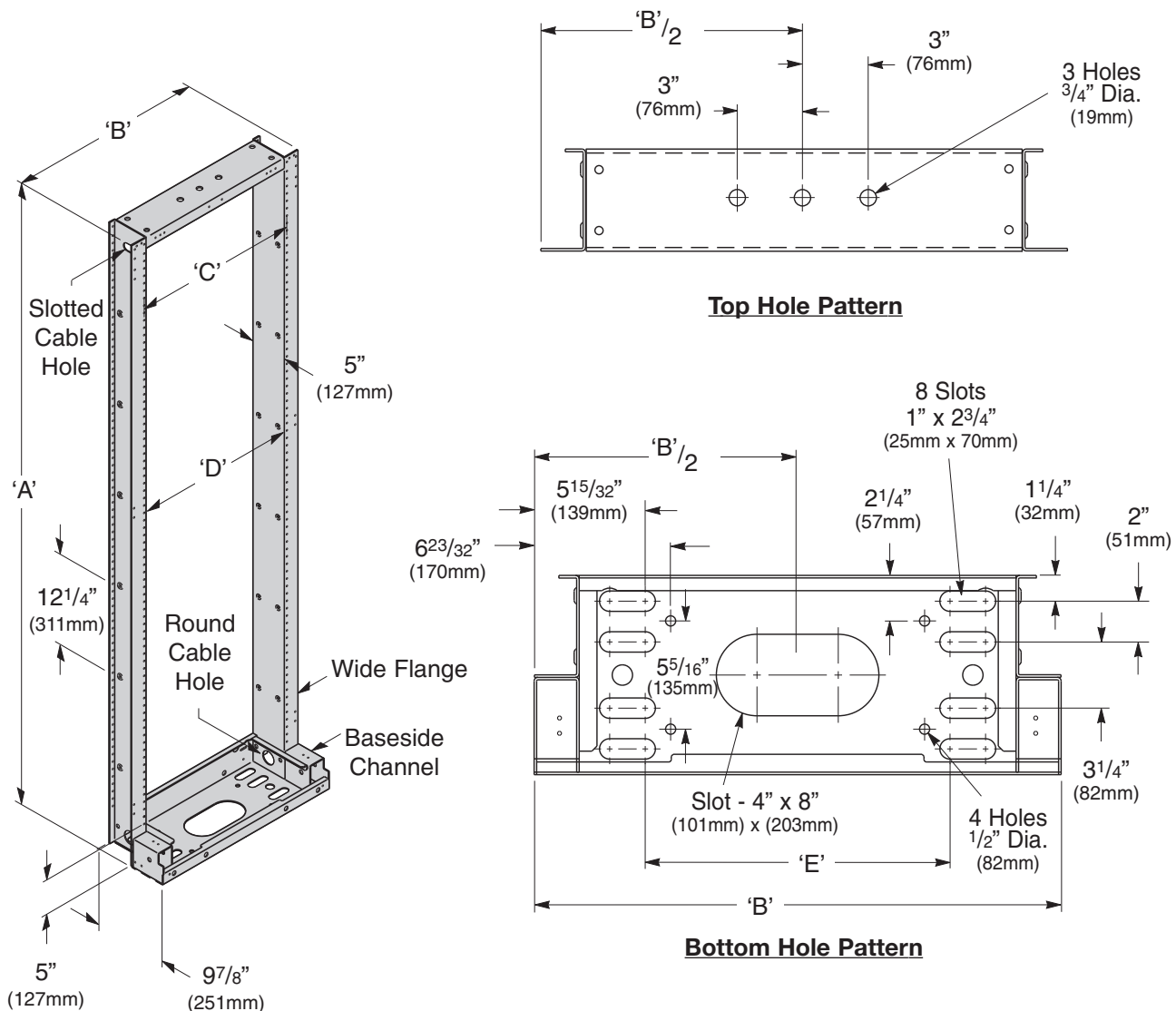


## Network Bay - Closed Duct - Top Channel Style

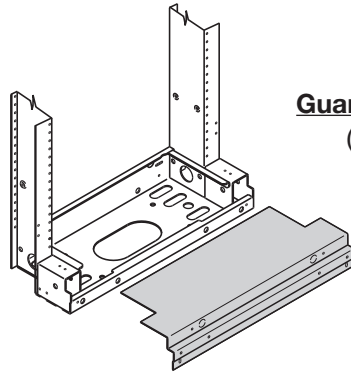
- Use to mount electronic switching equipment
- Low profile base provides additional mounting spaces
- One piece removable cover for easier anchor and cable installation
- Conformance to EIA/ECA-310-E (except inside clearance)
- Two mounting spacing styles to choose from:
  - Double-Side 2" (51mm) panel mounting spacing. [1" (25mm) hole spacing]
  - Double-Side 1 3/4" (44mm) panel mounting spacing [1 1/4" (32mm), 1/2" (13mm) hole spacing]
- #12-24 panel mounting holes
- Accessory mounting holes provided in base, uprights and top channel
- Integrated cable grounding strip available on 84" (2133mm) rack (contact factory)
- Material: 6 Ga. (4.8mm), 10 Ga. (3.4mm), and 11 Ga. (3.0mm) ASTM A1011SS steel
- Finish: Telco Gray Powder Coat (TG), other finishes available
  
- U.S. Patent No. 5,284,254 - Canada Patent No. 2,099,081 - other patents pending

Network Bay Equipment Racks & Accessories



See page 80 for cable support bar quantity required. Continued on page 61

## Closed Duct Network Bay Rack - Top Channel Style



**Guard Rail Cover**  
(Included)

		Dimensions			
		19" (482mm) Rack Width		23" (594mm) Rack Width	
		In.	(mm)	In.	(mm)
'A'	Overall Height	84" - 140"	(2133 - 3556)	84" - 140"	(2133 - 3556)
'B'	Overall Width	21 <sup>15</sup> / <sub>16</sub> "	(557)	25 <sup>15</sup> / <sub>16</sub> "	(659)
'C'	Panel Mounting	18 <sup>5</sup> / <sub>16</sub> "	(465)	22 <sup>5</sup> / <sub>16</sub> "	(567)
'D'	Usable Inside Width	17 <sup>1</sup> / <sub>2</sub> "	(444)	21 <sup>1</sup> / <sub>2</sub> "	(546)
'E'	Slot Spacing	11"	(279)	15"	(381)

### 2" (51mm) Panel Mounting Spacing 1" (25mm) Hole Spacing

Part Number	'A' Height		Mtg. Spaces	Weight	
	In.	(mm)		Lbs.	(kg)
<b>23" (584mm) Rack Width</b>					
SB5859084	84"	(2133)	39	87	(39.4)
SB5859090	90"	(2286)	42	90	(40.8)
SB5859096	96"	(2438)	45	93	(42.2)
SB5859108	108"	(2743)	51	99	(44.9)
SB5859138	138"	(3505)	66	105	(47.6)
SB5859140	140"	(3556)	67	106	(48.1)
<b>19" (482mm) Rack Width</b>					
SB5854084	84"	(2133)	39	83	(37.6)
SB5854090	90"	(2286)	42	86	(39.0)
SB5854096	96"	(2438)	45	89	(40.4)
SB5854108	108"	(2743)	51	95	(43.1)
SB5854138	138"	(3505)	66	101	(45.8)
SB5854140	140"	(3556)	67	102	(46.2)

For WEKO Universal Spacing [1/2" (13mm), 1/2" (13mm), 1/2" (13mm)] add -U suffix to part numbers.  
Example: **SB58(59 or 54)084U**

### 1 3/4" (44mm) Panel Mounting Spacing 1 1/4" (32mm), 1/2" (13mm) Hole Spacing

Part Number	'A' Height		Mtg. Spaces	Weight	
	In.	(mm)		Lbs.	(kg)
<b>23" (584mm) Rack Width</b>					
SB5858084	84"	(2133)	45	87	(39.4)
SB5858090	90"	(2286)	48	90	(40.8)
SB5858096	96"	(2438)	51	93	(42.2)
SB5858108	108"	(2743)	58	99	(44.9)
SB5858138	138"	(3505)	75	105	(47.6)
SB5858140	140"	(3556)	77	106	(48.1)
<b>19" (482mm) Rack Width</b>					
SB5853084	84"	(2133)	45	83	(37.6)
SB5853090	90"	(2286)	48	86	(39.0)
SB5853096	96"	(2438)	51	89	(40.4)
SB5853108	108"	(2743)	58	95	(43.1)
SB5853138	138"	(3505)	75	101	(45.8)
SB5853140	140"	(3556)	77	102	(46.2)

For EIA Universal Spacing [5/8" (16mm), 5/8" (16mm), 1/2" (13mm)] add -U suffix to part numbers.  
Example: **SB58(58 or 53)084U**

# Equipment Racks & Accessories

Cooper B-Line is a leading manufacturer of high quality support systems for the data communications and telecommunications industries. No matter what your application for equipment racks and accessories, Cooper B-Line has the products and accessories available to meet your needs for support networking equipment and cabling in today's high performance networks.

Our line of network equipment racks includes two-post, four-post, fixed wall mounted, swing gate wall mounted, high-density cable management and seismic Zone 4 racks. All racks are designed to meet or exceed all applicable industry standards such as EIA/ECA-310-E. Our rack products are also designed to conform to any and all requirements of applicable TIA, EIA or IEEE standards that reference racks or other equipment support products and many Cooper B-Line rack products are UL listed as well.

Cooper B-Line also offers a full line of accessories for racks including grounding and bonding equipment, rack mounted shelves, power strips, cable management devices, anchors, raised floor supports and caster bases - just to name a few.

Look to Cooper B-Line for the best-in-class options for equipment racks and accessories. We take pride in designing and manufacturing top quality, full featured products that are a cut above other manufacturer's offerings. For example, our standard two post rack features an industry leading 1,200 lb. load rating as well as valuable features like permanent RMU markings and tapped assembly holes for quick assembly.

Are we missing a component you need? Contact us. Our engineering team will be glad to discuss your needs and provide a design for your specific application. Our goal is to be your preferred supplier for all your comm/data equipment support needs.

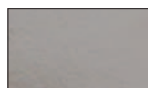
<b>Material:</b>	<b>Type</b>	<b>Thickness</b>	<b>Specifications</b>
	Steel Bar	..... 3/8" (9.5mm) - 7 Gauge (4.5mm)	..... ASTM A36
	Steel Strip	..... 10 Gauge (3.4mm) - 12 Gauge (2.6mm)	..... ASTM A569
	Aluminum	.....	..... 6061-T6

**Finishes:**

- Brushed Aluminum (AL)
- Powder Coat Paint
  - Telco Gray (TG)
  - Computer White (CW) (also known as Alcatel Gray)
  - Flat Black (FB)
  - Silver (SL)
- Chemical Conversion Coatings Available
  - Yellow Zinc (YZ) ..... ASTM B633
  - Black Zinc (BZ) ..... ASTM B633



(AL)  
Brushed  
Aluminum



(TG)  
Telco Gray



(CW)  
Computer  
White  
(Alcatel Gray)



(FB)  
Flat Black  
&  
(BZ)  
Black Zinc



(YZ)  
Yellow Zinc



(SL)  
Silver

**Standard Conformance:**

- EIA/ECA-310-E
- UL Listed Communication Circuit Accessory (file no. E171936).
- UL Listed Communication Circuit Accessory (file no. E235184).