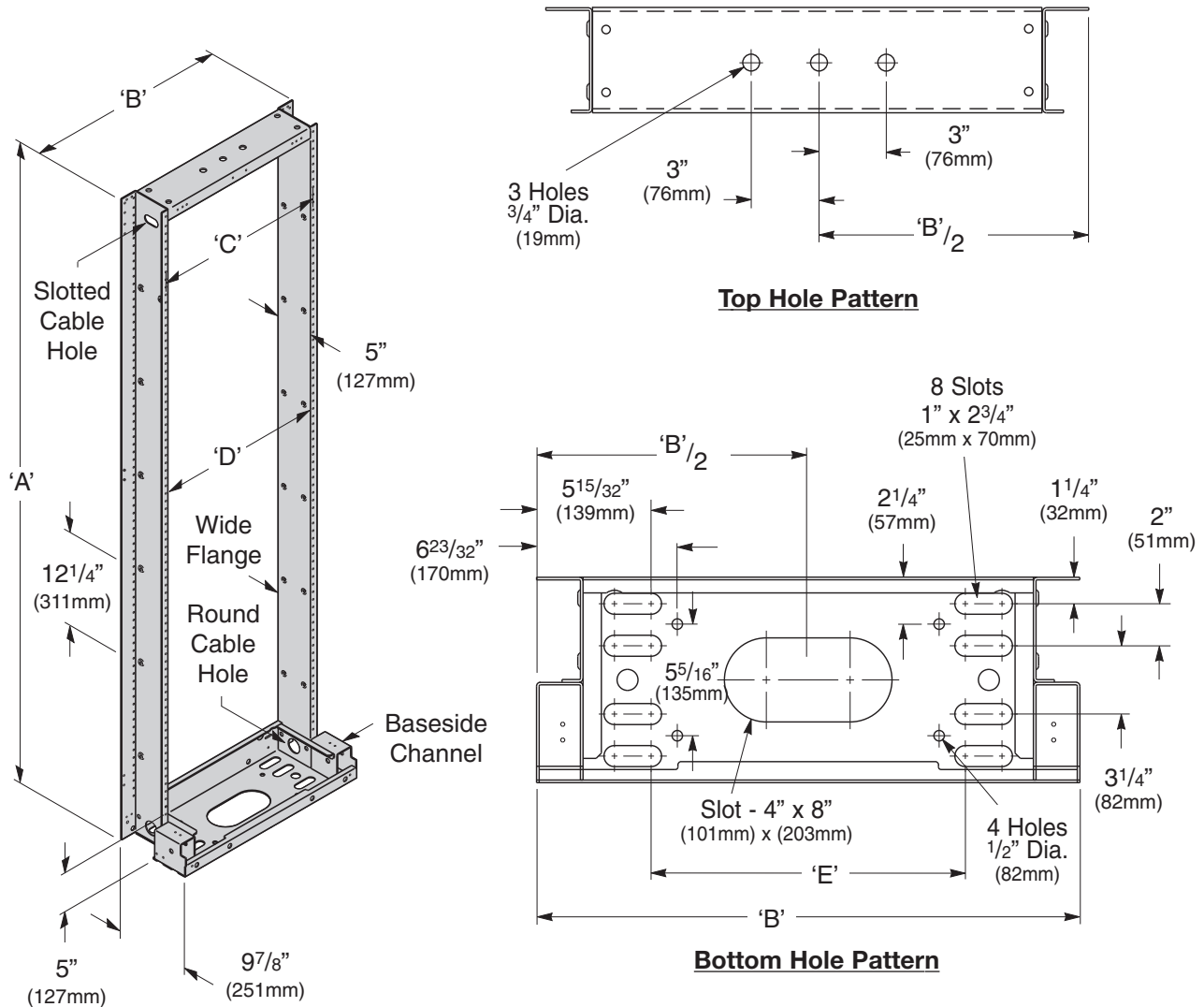


Network Bay - Open Duct - Top Channel Style

- Use to mount electronic switching equipment
- Low profile base provides additional mounting spaces
- One piece removable cover for easier anchor and cable installation
- Conformance to EIA/ECA-310-E (except inside clearance)
- Two mounting spacing styles to choose from:
 - Double-Side 2" (51mm) panel mounting spacing. [1" (25mm) hole spacing]
 - Double-Side 1 3/4" (44mm) panel mounting spacing [1 1/4" (32mm), 1/2" (13mm) hole spacing]
- #12-24 panel mounting holes
- Accessory mounting holes provided in base, uprights and top channel
- Integrated cable grounding strip available on 84" (2133mm) rack (contact factory)
- Material: 6 Ga. (4.8mm), 10 Ga. (3.4mm), and 11 Ga. (3.0mm) ASTM A1011SS steel
- Finish: Telco Gray Powder Coat (TG), other finishes available

- U.S. Patent No. 5,284,254 - Canada Patent No. 2,099,081 - other patents pending

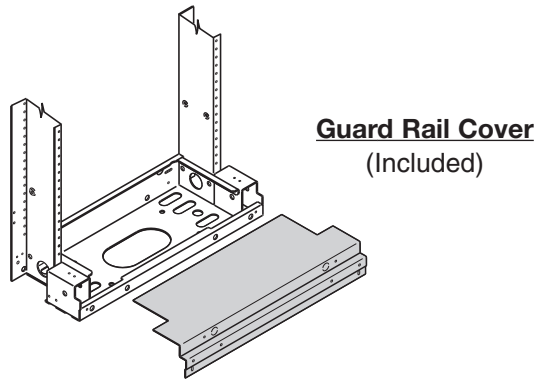
Network Bay Equipment Racks & Accessories



See page 80 for cable support bar quantity required.

Continued on page 65

Open Duct Network Bay Rack - Top Channel Style



		Dimensions			
		19" (482mm) Rack Width		23" (594mm) Rack Width	
		In.	(mm)	In.	(mm)
'A'	Overall Height	84" - 140"	(2133 - 3556)	84" - 140"	(2133 - 3556)
'B'	Overall Width	21 ¹⁵ / ₁₆ "	(557)	25 ¹⁵ / ₁₆ "	(659)
'C'	Panel Mounting	18 ⁵ / ₁₆ "	(465)	22 ⁵ / ₁₆ "	(567)
'D'	Usable Inside Width	17 ¹ / ₂ "	(444)	21 ¹ / ₂ "	(546)
'E'	Slot Spacing	11"	(279)	15"	(381)

2" (51mm) Panel Mounting Spacing 1" (25mm) Hole Spacing

Part Number	'A' Height		Mtg. Spaces	Weight	
	In.	(mm)		Lbs.	(kg)
23" (584mm) Rack Width					
SB5857084	84"	(2133)	39	87	(39.4)
SB5857090	90"	(2286)	42	90	(40.8)
SB5857096	96"	(2438)	45	93	(42.2)
SB5857108	108"	(2743)	51	99	(44.9)
SB5857138	138"	(3505)	66	105	(47.6)
SB5857140	140"	(3556)	67	106	(48.1)
19" (482mm) Rack Width					
SB5852084	84"	(2133)	39	83	(37.6)
SB5852090	90"	(2286)	42	86	(39.0)
SB5852096	96"	(2438)	45	89	(40.4)
SB5852108	108"	(2743)	51	95	(43.1)
SB5852138	138"	(3505)	66	101	(45.8)
SB5852140	140"	(3556)	67	102	(46.2)

For WECO Universal Spacing [$\frac{1}{2}$ " (13mm), $\frac{1}{2}$ " (13mm), $\frac{1}{2}$ " (13mm)] add -U suffix to part numbers.
Example: **SB58(57 or 52)084U**

1³/₄" (44mm) Panel Mounting Spacing 1¹/₄" (32mm), $\frac{1}{2}$ " (13mm) Hole Spacing

Part Number	'A' Height		Mtg. Spaces	Weight	
	In.	(mm)		Lbs.	(kg)
23" (584mm) Rack Width					
SB5856084	84"	(2133)	45	87	(39.4)
SB5856090	90"	(2286)	48	90	(40.8)
SB5856096	96"	(2438)	51	93	(42.2)
SB5856108	108"	(2743)	58	99	(44.9)
SB5856138	138"	(3505)	75	105	(47.6)
SB5856140	140"	(3556)	77	106	(48.1)
19" (482mm) Rack Width					
SB5851084	84"	(2133)	45	83	(37.6)
SB5851090	90"	(2286)	48	86	(39.0)
SB5851096	96"	(2438)	51	89	(40.4)
SB5851108	108"	(2743)	58	95	(43.1)
SB5851138	138"	(3505)	75	101	(45.8)
SB5851140	140"	(3556)	77	102	(46.2)

For EIA Universal Spacing [$\frac{5}{8}$ " (16mm), $\frac{5}{8}$ " (16mm), $\frac{1}{2}$ " (13mm)] add -U suffix to part numbers.
Example: **SB58(56 or 51)084U**

Equipment Racks & Accessories

Cooper B-Line is a leading manufacturer of high quality support systems for the data communications and telecommunications industries. No matter what your application for equipment racks and accessories, Cooper B-Line has the products and accessories available to meet your needs for support networking equipment and cabling in today's high performance networks.

Our line of network equipment racks includes two-post, four-post, fixed wall mounted, swing gate wall mounted, high-density cable management and seismic Zone 4 racks. All racks are designed to meet or exceed all applicable industry standards such as EIA/ECA-310-E. Our rack products are also designed to conform to any and all requirements of applicable TIA, EIA or IEEE standards that reference racks or other equipment support products and many Cooper B-Line rack products are UL listed as well.

Cooper B-Line also offers a full line of accessories for racks including grounding and bonding equipment, rack mounted shelves, power strips, cable management devices, anchors, raised floor supports and caster bases - just to name a few.

Look to Cooper B-Line for the best-in-class options for equipment racks and accessories. We take pride in designing and manufacturing top quality, full featured products that are a cut above other manufacturer's offerings. For example, our standard two post rack features an industry leading 1,200 lb. load rating as well as valuable features like permanent RMU markings and tapped assembly holes for quick assembly.

Are we missing a component you need? Contact us. Our engineering team will be glad to discuss your needs and provide a design for your specific application. Our goal is to be your preferred supplier for all your comm/data equipment support needs.

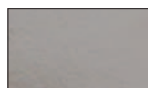
Material:	Type	Thickness	Specifications
	Steel Bar 3/8" (9.5mm) - 7 Gauge (4.5mm) ASTM A36
	Steel Strip 10 Gauge (3.4mm) - 12 Gauge (2.6mm) ASTM A569
	Aluminum 6061-T6

Finishes:

- Brushed Aluminum (AL)
- Powder Coat Paint
 - Telco Gray (TG)
 - Computer White (CW) (also known as Alcatel Gray)
 - Flat Black (FB)
 - Silver (SL)
- Chemical Conversion Coatings Available
 - Yellow Zinc (YZ) ASTM B633
 - Black Zinc (BZ) ASTM B633



(AL)
Brushed
Aluminum



(TG)
Telco Gray



(CW)
Computer
White
(Alcatel Gray)



(FB)
Flat Black
&
(BZ)
Black Zinc



(YZ)
Yellow Zinc



(SL)
Silver

Standard Conformance:

- EIA/ECA-310-E
- UL Listed Communication Circuit Accessory (file no. E171936).
- UL Listed Communication Circuit Accessory (file no. E235184).