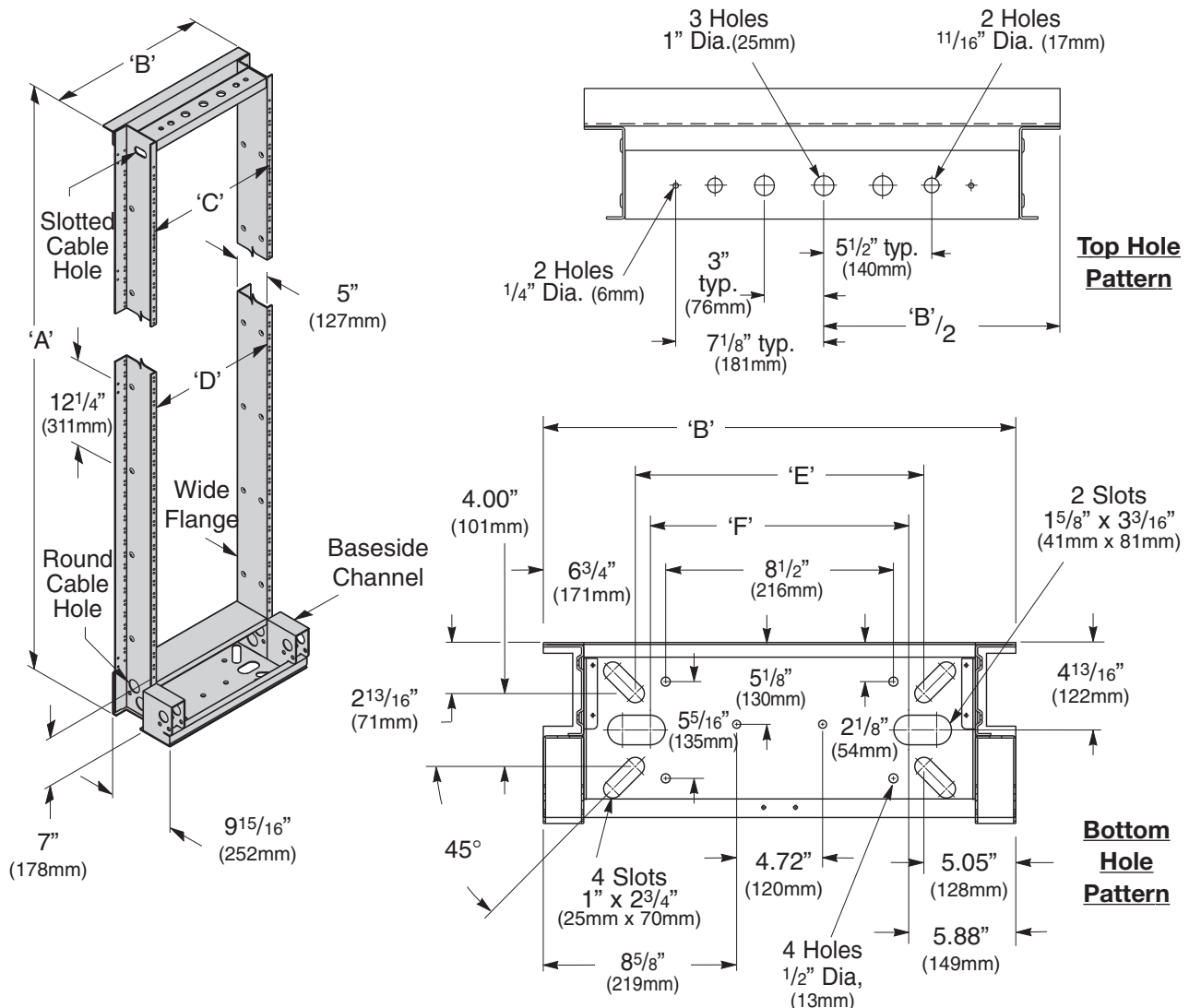


## Open Duct Unequal Flange Rack - Top Angle Style

- Use to mount electronic switching equipment
- Removable base cover plate for easier anchor and cable installation
- Heavy duty welded construction, ideal for central office installations
- Available in both top channel and top angle styles
- Conformance to EIA/ECA-310-E (except inside clearance)
- Two mounting spacing styles to choose from:
  - Double-Side 2" (51mm) panel mounting spacing. [1" (25mm) hole spacing]
  - Double-Side 1 3/4" (44mm) panel mounting spacing [1 1/4" (32mm), 1/2" (13mm) hole spacing]
- Single heavy duty 2" (51mm) x 2" (51mm) top angle for added rigidity
- #12-24 panel mounting holes
- Accessory mounting holes provided in base, uprights and top channel
- Integrated cable grounding strip available on 84" (2133mm) rack (contact factory)
- Material: 11 Ga. (3mm) ASTM A1011SS structural steel
- Finish: Telco Gray Powder Coat (TG), other finishes available
- U.S. Patent No. 5,284,254 - Canada Patent No. 2,099,081

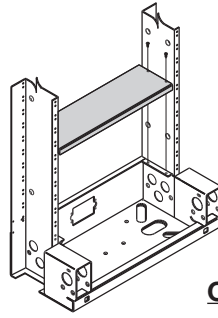
Unequal Flange Equipment Racks & Accessories



See page 47 for cable support bar quantity required.

Continued on page 31

## Open Duct Unequal Flange Rack - Top Angle Style



**Cover Plate**

Included

See page 44 for guard rail covers

Dimensions					
		19" (482mm) Rack Width		23" (594mm) Rack Width	
		In.	mm	In.	mm
'A'	Overall Height	84" - 140"	(2133 - 3556)	84" - 140"	(2133 - 3556)
'B'	Overall Width	21 <sup>15/16"</sup>	(557)	25 <sup>15/16"</sup>	(659)
'C'	Panel Mounting	18 <sup>5/16"</sup>	(465)	22 <sup>5/16"</sup>	(567)
'D'	Usable Inside Width	17 <sup>1/2"</sup>	(444)	21 <sup>1/2"</sup>	(546)
'E'	Angle Slot Spacing	11 <sup>27/32"</sup>	(300)	15 <sup>27/32"</sup>	(402)
'F'	Center Slot Spacing	10 <sup>3/16"</sup>	(259)	14 <sup>3/16"</sup>	(360)

Unequal Flange Equipment Racks & Accessories

### 2" (51mm) Panel Mounting Spacing 1" (25mm) Hole Spacing

Part Number	'A' Height		Mtg. Spaces	Weight	
	In.	(mm)		Lbs.	(kg)
<b>23" (584mm) Rack Width</b>					
SB5547084	84"	(2133)	37	87	(39.4)
SB5547090	90"	(2286)	40	90	(40.8)
SB5547096	96"	(2438)	43	93	(42.2)
SB5547108	108"	(2743)	49	99	(44.9)
SB5547138	138"	(3505)	64	105	(47.6)
SB5547140	140"	(3556)	65	106	(48.1)
<b>19" (482mm) Rack Width</b>					
SB5542084	84"	(2133)	37	83	(37.6)
SB5542090	90"	(2286)	40	86	(39.0)
SB5542096	96"	(2438)	43	89	(40.4)
SB5542108	108"	(2743)	49	95	(43.1)
SB5542138	138"	(3505)	64	101	(45.8)
SB5542140	140"	(3556)	65	102	(46.2)

For WECCO Universal Spacing [ 1/2" (13mm) ] add -U suffix to part numbers.  
Example: **SB55(47 or 42)084U**

### 1 3/4" (44mm) Panel Mounting Spacing 1 1/4" (32mm), 1/2" (13mm) Hole Spacing

Part Number	'A' Height		Mtg. Spaces	Weight	
	In.	(mm)		Lbs.	(kg)
<b>23" (584mm) Rack Width</b>					
SB5546084	84"	(2133)	43	87	(39.4)
SB5546090	90"	(2286)	46	90	(40.8)
SB5546096	96"	(2438)	49	93	(42.2)
SB5546108	108"	(2743)	56	99	(44.9)
SB5546138	138"	(3505)	73	105	(47.6)
SB5546140	140"	(3556)	75	106	(48.1)
<b>19" (482mm) Rack Width</b>					
SB5541084	84"	(2133)	43	83	(37.6)
SB5541090	90"	(2286)	46	86	(39.0)
SB5541096	96"	(2438)	49	89	(40.4)
SB5541108	108"	(2743)	56	95	(43.1)
SB5541138	138"	(3505)	73	101	(45.8)
SB5541140	140"	(3556)	75	102	(46.2)

For EIA Universal Spacing [ 5/8" (16mm), 5/8" (16mm) , 1/2" (13mm) ] add -U suffix to part numbers.  
Example: **SB-55(46 or 41)084U**

# Equipment Racks & Accessories

Cooper B-Line is a leading manufacturer of high quality support systems for the data communications and telecommunications industries. No matter what your application for equipment racks and accessories, Cooper B-Line has the products and accessories available to meet your needs for support networking equipment and cabling in today's high performance networks.

Our line of network equipment racks includes two-post, four-post, fixed wall mounted, swing gate wall mounted, high-density cable management and seismic Zone 4 racks. All racks are designed to meet or exceed all applicable industry standards such as EIA/ECA-310-E. Our rack products are also designed to conform to any and all requirements of applicable TIA, EIA or IEEE standards that reference racks or other equipment support products and many Cooper B-Line rack products are UL listed as well.

Cooper B-Line also offers a full line of accessories for racks including grounding and bonding equipment, rack mounted shelves, power strips, cable management devices, anchors, raised floor supports and caster bases - just to name a few.

Look to Cooper B-Line for the best-in-class options for equipment racks and accessories. We take pride in designing and manufacturing top quality, full featured products that are a cut above other manufacturer's offerings. For example, our standard two post rack features an industry leading 1,200 lb. load rating as well as valuable features like permanent RMU markings and tapped assembly holes for quick assembly.

Are we missing a component you need? Contact us. Our engineering team will be glad to discuss your needs and provide a design for your specific application. Our goal is to be your preferred supplier for all your comm/data equipment support needs.

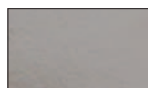
<b>Material:</b>	<b>Type</b>	<b>Thickness</b>	<b>Specifications</b>
	Steel Bar	..... 3/8" (9.5mm) - 7 Gauge (4.5mm)	..... ASTM A36
	Steel Strip	..... 10 Gauge (3.4mm) - 12 Gauge (2.6mm)	..... ASTM A569
	Aluminum	.....	..... 6061-T6

**Finishes:**

- Brushed Aluminum (AL)
- Powder Coat Paint
  - Telco Gray (TG)
  - Computer White (CW) (also known as Alcatel Gray)
  - Flat Black (FB)
  - Silver (SL)
- Chemical Conversion Coatings Available
  - Yellow Zinc (YZ) ..... ASTM B633
  - Black Zinc (BZ) ..... ASTM B633



(AL)  
Brushed  
Aluminum



(TG)  
Telco Gray



(CW)  
Computer  
White  
(Alcatel Gray)



(FB)  
Flat Black  
&  
(BZ)  
Black Zinc



(YZ)  
Yellow Zinc



(SL)  
Silver

**Standard Conformance:**

- EIA/ECA-310-E
- UL Listed Communication Circuit Accessory (file no. E171936).
- UL Listed Communication Circuit Accessory (file no. E235184).