

UNEQUAL FLANGE EQUIPMENT RACKS

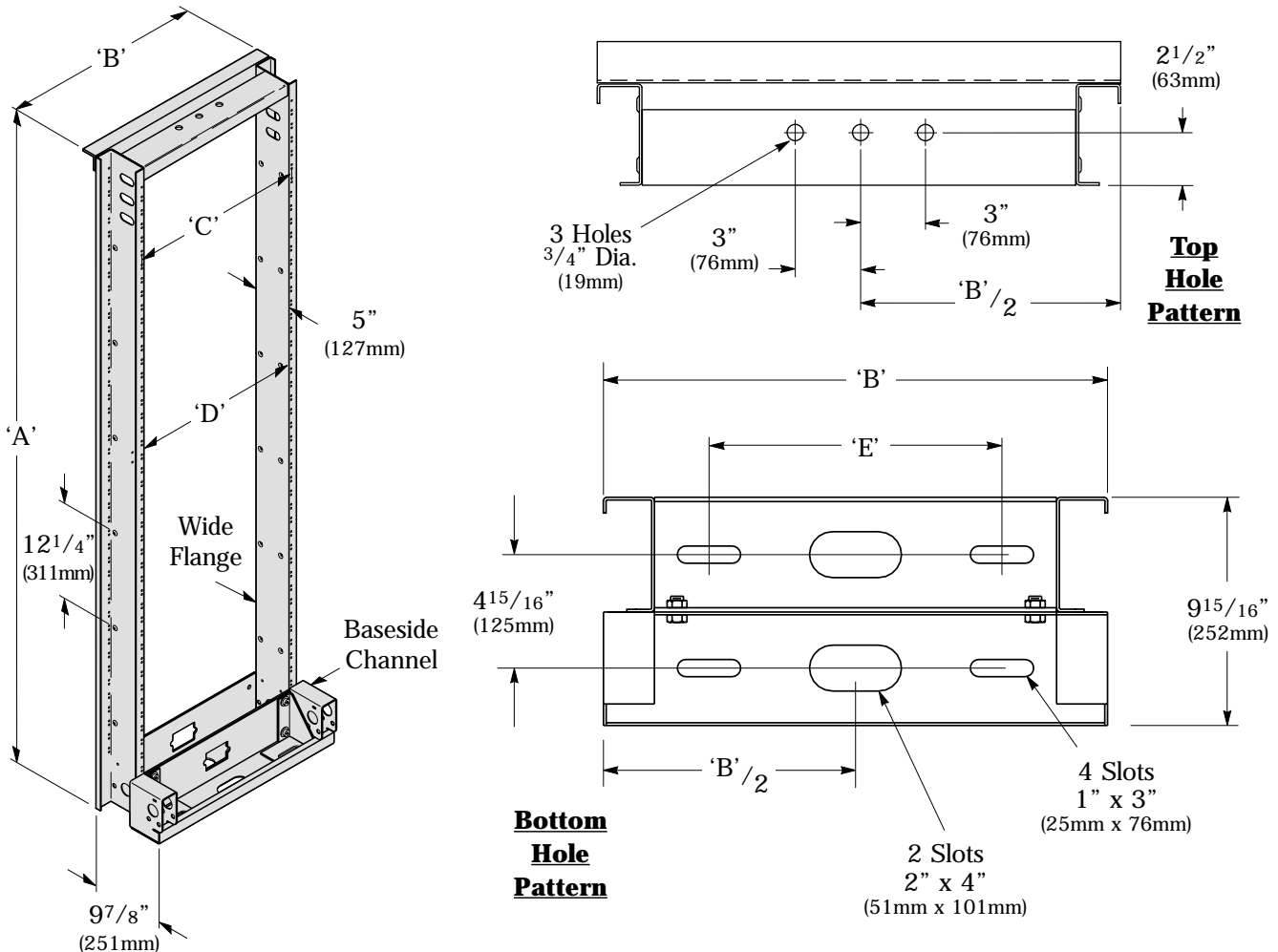
Bolt Together.

Seismic Zone 4, Open Duct, Top Angle Style

- Use to mount electronic switching equipment.
- Low profile base provides additional mounting spaces.
- One piece removable cover for easier anchor and cable installation.
- Certified to ANSI-T1.3219-1995 and Telcordia NEBS GR-63-CORE for seismic zone 4 installation [84" (2133mm) only].
- Load Rating: Equipment 440 Lbs. (1.96kN) System 570 Lbs. (2.53kN)
- Conformance to EIA-310-D (except inside clearance).
- Includes: Anchor plates, shims and seismically approved concrete anchors.
- Two mounting spacing styles to choose from:
 - Double-Side 2" (51mm) panel mounting spacing. [1" (25mm) hole spacing]
 - Double-Side 1 3/4" (44mm) panel mounting spacing [1 1/4" (32mm), 1/2" (13mm) hole spacing]
- Single heavy duty 2" (51mm) x 2" (51mm) top angle for added rigidity.
- #12-24 panel mounting holes.
- Accessory mounting holes provided in base, uprights and top channel.
- Material: 11 Ga. (3.0mm) and 6 Ga. (4.9mm) ASTM A570 Grade 33 steel.
- Finish: Telco Gray Powder Coat (TG), Zinc Plated (ZN).



Unequal Flange Equipment Rack



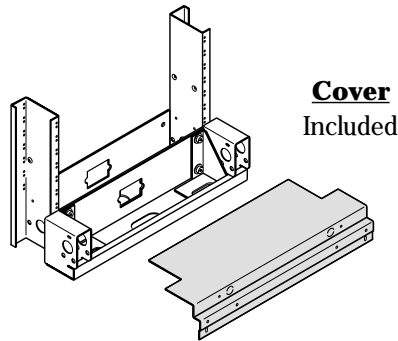
See page 169 for cable support bar quantity required.

Continued on page 153

UNEQUAL FLANGE EQUIPMENT RACKS

Bolt Together.

Seismic Zone 4, Open Duct, Top Angle Style



Dimensions					
		19" (482mm) Rack Width		23" (594mm) Rack Width	
		In.	(mm)	In.	(mm)
'A'	Overall Height	84" - 140"	(2133 - 3556)	84" - 140"	(2133 - 3556)
'B'	Overall Width	21 ¹⁵ / ₁₆ "	(557)	25 ¹⁵ / ₁₆ "	(659)
'C'	Panel Mounting	18 ⁵ / ₁₆ "	(465)	22 ⁵ / ₁₆ "	(567)
'D'	Usable Inside Width	17 ¹ / ₂ "	(444)	21 ¹ / ₂ "	(546)
'E'	Slot Spacing	12 ³ / ₄ "	(324)	16 ³ / ₄ "	(425)

2" (51mm) Panel Mounting Spacing 1" (25mm) Hole Spacing

Part Number	'A' Height		Mtg. Spaces	Weight	
	In.	(mm)		Lbs.	(kg)
23" (584mm) Rack Width					
SB-5467-084	84"	(2133)	38	118	(53.5)
SB-5467-090	90"	(2286)	41	121	(54.9)
SB-5467-096	96"	(2438)	44	124	(56.2)
SB-5467-108	108"	(2743)	50	130	(58.9)
SB-5467-138	138"	(3505)	65	136	(61.7)
SB-5467-140	140"	(3556)	66	137	(62.1)
19" (482mm) Rack Width					
SB-5462-084	84"	(2133)	38	114	(51.7)
SB-5462-090	90"	(2286)	41	117	(53.1)
SB-5462-096	96"	(2438)	44	120	(54.4)
SB-5462-108	108"	(2743)	50	126	(57.1)
SB-5462-138	138"	(3505)	65	130	(58.9)
SB-5462-140	140"	(3556)	66	131	(59.4)

1³/₄" (44mm) Panel Mounting Spacing 1¹/₄" (32mm), 1/2" (13mm) Hole Spacing

Part Number	'A' Height		Mtg. Spaces	Weight	
	In.	(mm)		Lbs.	(kg)
23" (584mm) Rack Width					
SB-5466-084	84"	(2133)	45	118	(53.5)
SB-5466-090	90"	(2286)	48	121	(54.9)
SB-5466-096	96"	(2438)	51	124	(56.2)
SB-5466-108	108"	(2743)	58	130	(58.9)
SB-5466-138	138"	(3505)	75	136	(61.7)
SB-5466-140	140"	(3556)	77	137	(62.1)
19" (482mm) Rack Width					
SB-5461-084	84"	(2133)	45	114	(51.7)
SB-5461-090	90"	(2286)	48	117	(53.1)
SB-5461-096	96"	(2438)	51	120	(54.4)
SB-5461-108	108"	(2743)	58	126	(57.1)
SB-5461-138	138"	(3505)	75	130	(58.9)
SB-5461-140	140"	(3556)	77	131	(59.4)

For Universal Spacing [5/8" (16mm), 5/8" (16mm) ,
1/2" (13mm)] add -U suffix to part numbers.
Example: **SB-54(66 or 61)-084-U**