

# UNEQUAL FLANGE EQUIPMENT RACKS

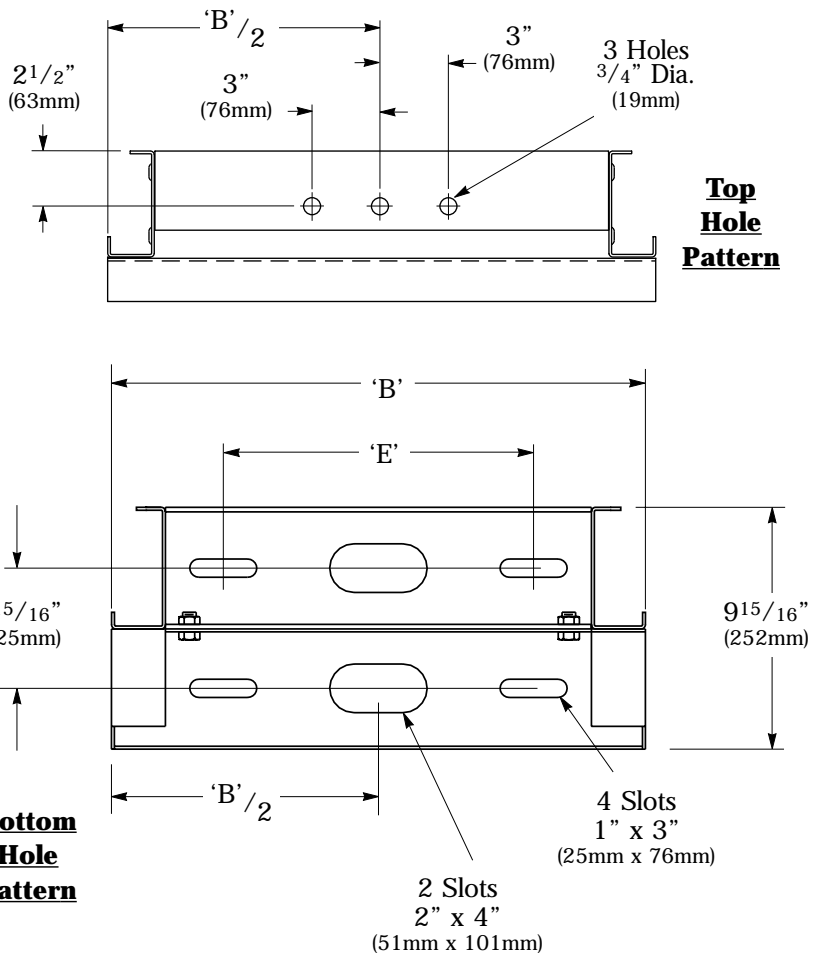
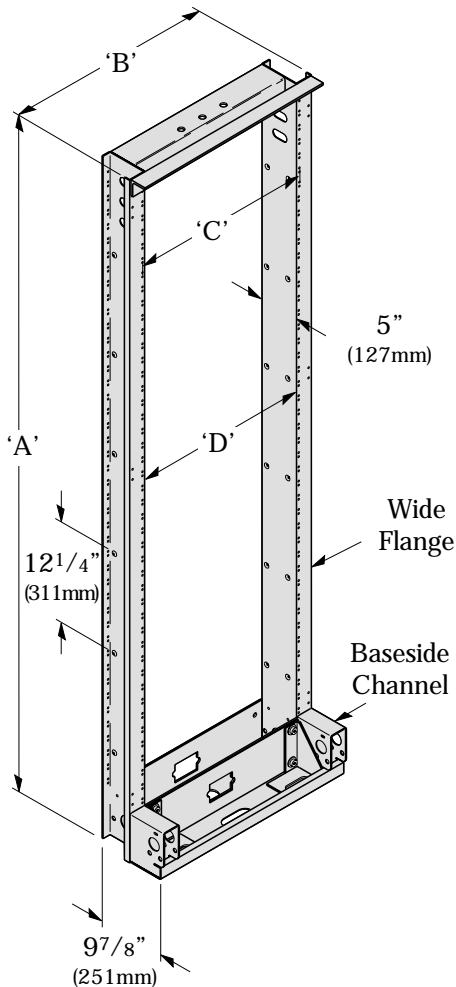
## Bolt Together.

### Seismic Zone 4, Closed Duct, Top Angle Style

- Use to mount electronic switching equipment.
- Low profile base provides additional mounting spaces.
- One piece removable cover for easier anchor and cable installation.
- Certified to ANSI-T1.3219-1995 and Telcordia NEBS GR-63-CORE for seismic zone 4 installation [84" (2133mm) only].
- Load Rating: Equipment 440 Lbs. (1.96kN) System 570 Lbs. (2.53kN)
- Conformance to EIA-310-D (except inside clearance).
- Includes: Anchor plates, shims and seismically approved concrete anchors.
- Two mounting spacing styles to choose from:
  - Double-Side 2" (51mm) panel mounting spacing. [1" (25mm) hole spacing]
  - Double-Side 1 3/4" (44mm) panel mounting spacing [1 1/4" (32mm), 1/2" (13mm) hole spacing]
- Single heavy duty 2" (51mm) x 2" (51mm) top angle for added rigidity.
- #12-24 panel mounting holes.
- Accessory mounting holes provided in base, uprights and top channel.
- Material: 11 Ga. (3.0mm) and 6 Ga. (4.9mm) ASTM A570 Grade 33 steel.
- Finish: Telco Gray Powder Coat (TG), Zinc Plated (ZN).



Unequal Flange Equipment Rack



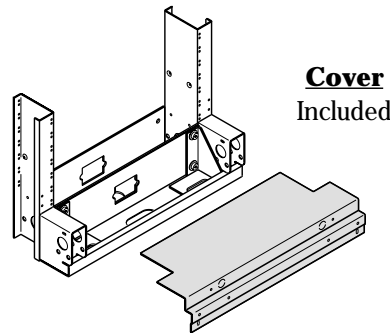
See page 169 for cable support bar quantity required.

Continued on page 149

# UNEQUAL FLANGE EQUIPMENT RACKS

## Bolt Together.

## Seismic Zone 4, Closed Duct, Top Angle Style



		Dimensions			
		19" (482mm) Rack Width		23" (594mm) Rack Width	
		In.	(mm)	In.	(mm)
'A'	Overall Height	84" - 140"	(2133 - 3556)	84" - 140"	(2133 - 3556)
'B'	Overall Width	21 <sup>15</sup> / <sub>16</sub> "	(557)	25 <sup>15</sup> / <sub>16</sub> "	(659)
'C'	Panel Mounting	18 <sup>5</sup> / <sub>16</sub> "	(465)	22 <sup>5</sup> / <sub>16</sub> "	(567)
'D'	Usable Inside Width	17 <sup>1</sup> / <sub>2</sub> "	(444)	21 <sup>1</sup> / <sub>2</sub> "	(546)
'E'	Slot Spacing	12 <sup>3</sup> / <sub>4</sub> "	(324)	16 <sup>3</sup> / <sub>4</sub> "	(425)

### **2" (51mm) Panel Mounting Spacing 1" (25mm) Hole Spacing**

Part Number	'A' Height		Mtg. Spaces	Weight	
	In.	(mm)		Lbs.	(kg)
<b>23" (584mm) Rack Width</b>					
<b>SB-5469-084</b>	84"	(2133)	38	118	(53.5)
<b>SB-5469-090</b>	90"	(2286)	41	121	(54.9)
<b>SB-5469-096</b>	96"	(2438)	44	124	(56.2)
<b>SB-5469-108</b>	108"	(2743)	50	130	(58.9)
<b>SB-5469-138</b>	138"	(3505)	65	136	(61.7)
<b>SB-5469-140</b>	140"	(3556)	66	137	(62.1)
<b>19" (482mm) Rack Width</b>					
<b>SB-5464-084</b>	84"	(2133)	38	114	(51.7)
<b>SB-5464-090</b>	90"	(2286)	41	117	(53.1)
<b>SB-5464-096</b>	96"	(2438)	44	120	(54.4)
<b>SB-5464-108</b>	108"	(2743)	50	126	(57.1)
<b>SB-5464-138</b>	138"	(3505)	65	130	(58.9)
<b>SB-5464-140</b>	140"	(3556)	66	131	(59.4)

### **1<sup>3</sup>/<sub>4</sub>" (44mm) Panel Mounting Spacing 1<sup>1</sup>/<sub>4</sub>" (32mm), 1/2" (13mm) Hole Spacing**

Part Number	'A' Height		Mtg. Spaces	Weight	
	In.	(mm)		Lbs.	(kg)
<b>23" (584mm) Rack Width</b>					
<b>SB-5468-084</b>	84"	(2133)	45	118	(53.5)
<b>SB-5468-090</b>	90"	(2286)	48	121	(54.9)
<b>SB-5468-096</b>	96"	(2438)	51	124	(56.2)
<b>SB-5468-108</b>	108"	(2743)	58	130	(58.9)
<b>SB-5468-138</b>	138"	(3505)	75	136	(61.7)
<b>SB-5468-140</b>	140"	(3556)	77	137	(62.1)
<b>19" (482mm) Rack Width</b>					
<b>SB-5463-084</b>	84"	(2133)	45	114	(51.7)
<b>SB-5463-090</b>	90"	(2286)	48	117	(53.1)
<b>SB-5463-096</b>	96"	(2438)	51	120	(54.4)
<b>SB-5463-108</b>	108"	(2743)	58	126	(57.1)
<b>SB-5463-138</b>	138"	(3505)	75	130	(58.9)
<b>SB-5463-140</b>	140"	(3556)	77	131	(59.4)

For Universal Spacing [ 5/8" (16mm), 5/8" (16mm), 1/2" (13mm) ] add -U suffix to part numbers.  
Example: **SB-54(68 or 63)-084-U**