

# Network Equipment Racks & Accessories

Eaton offers two-post, four-post, fixed wall mount, swing gate wall mount, and seismic zone 4 open frame racks and accessories to support networking equipment and cabling for enterprise data centers, colocation providers and network closets.

- Two-post racks - designed to meet a variety of application requirements.
- Two-post seismic racks - for areas where shock and vibration are a factor and is tested to NEBS GR-63-Core Seismic Zone 4 standards and rated for 900 lbs. of equipment.
- Four-post racks - adjustable depth four-post rack offerings address these needs while also accommodating other Eaton equipment and cable management accessories.

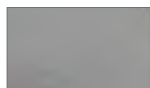
Material:	Type	Thickness	Specifications
	Steel Bar	3/8" (9.5mm) - 7 Gauge (4.5mm)	ASTM A36
	Steel Sheet & Strip	10 Gauge (3.4mm) - 18 Gauge (1.2mm)	ASTM A569
	Aluminum		5052-H32, 6061-T6 & 6063-T6

## Finishes:

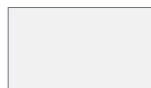
- Brushed Aluminum (AL)
- Powder Coat Paint
  - Flat Black (FB)
  - Telco Gray (TG)
  - Eaton White (EW)
  - Silver (SL)
- Chemical Conversion Coatings Available
  - Yellow Zinc (YZ) . . . ASTM B633
  - Black Zinc (BZ) . . . ASTM B633



(AL)  
Brushed  
Aluminum



(TG)  
Telco Gray



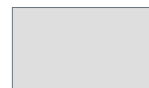
(EW)  
Eaton White



(FB)  
Flat Black  
&  
(BZ)  
Black Zinc



(YZ)  
Yellow Zinc



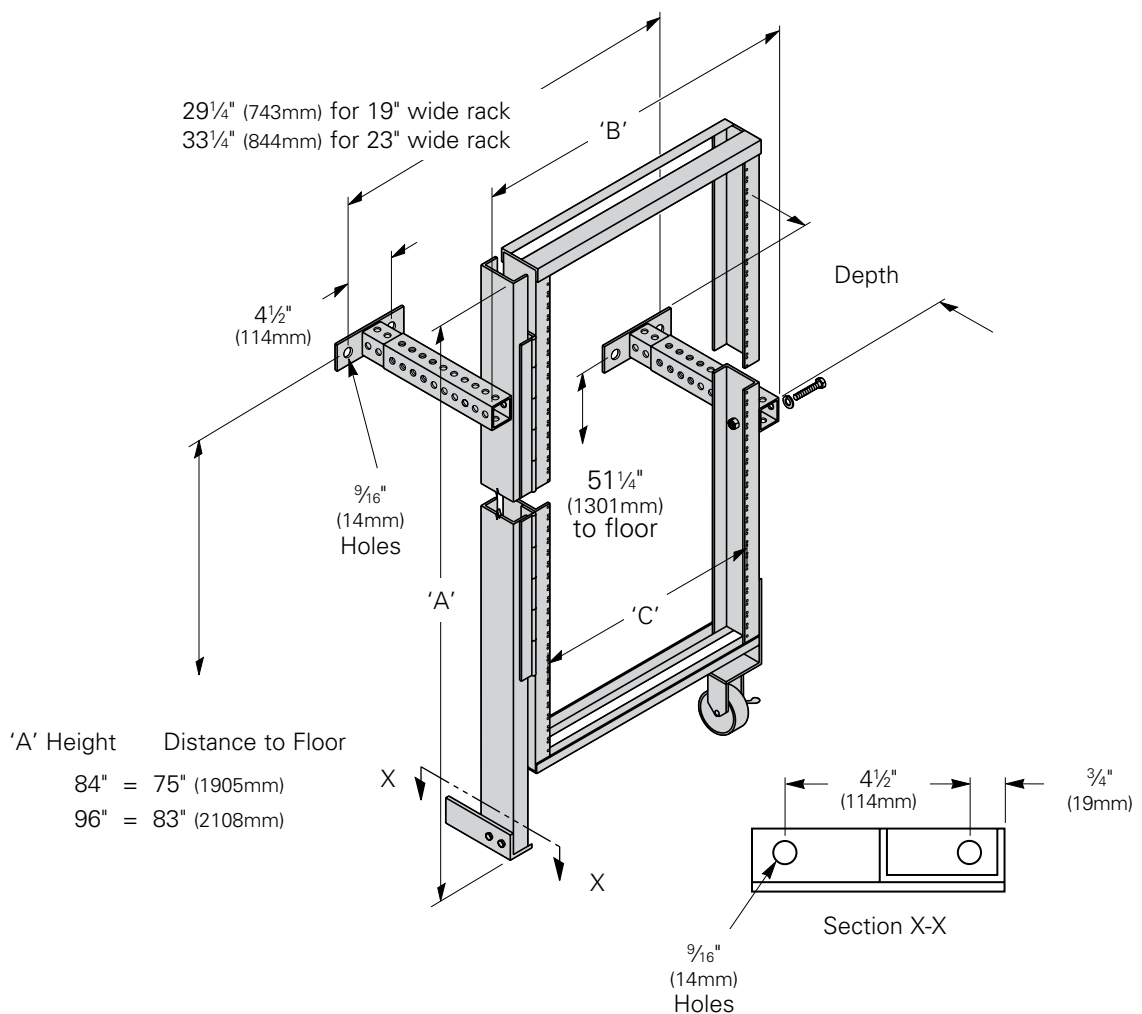
(SL)  
Silver

## Standard Conformance:

- EIA/ECA-310-E
- UL Listed Communication Circuit Accessory (file no. E171936)
- Audio/Video, Information and Communication Technology Equipment Cabinet, Enclosure and Rack Systems

## Wall & Floor Mounted Swing Gate Network Equipment Rack

- #12-24 panel mounting holes
- Conformance to EIA/ECA-310-E
- Single sided wide spacing 1 1/4" (32mm), 1/2" (13mm) mounting spacing
- 10" (254mm) to 18" (457mm) adjustable depth
- Order anchoring hardware separately
- Installs in about thirty (30) minutes using standard hand tools
- Hinged left only
- Load Rating: 600 lbs. (272kg)
- Material: Aluminum with steel hinge and mounting brackets
- Finish \_\_\_\_: Flat black powder coat (FB)  
Telco gray powder coat (TG)



Part Number	Rack Width In. (mm)	'A' Height In. (mm)	'B' Overall Width In. (mm)	'C' Panel Mounting In. (mm)	Mounting Spaces	Weight	
						Lbs.	(kg)
SB542084__	19" (482)	84" (2133)	25 13/16" (655)	18 5/16" (465)	43	50.4	(22.8)
SB542096__	19" (482)	96" (2438)	25 13/16" (655)	18 5/16" (465)	50	53.7	(24.3)

Specify part number and finish when ordering.