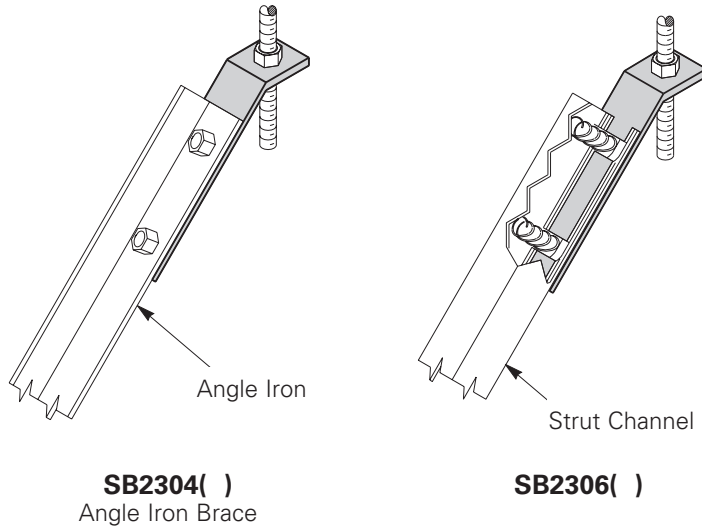


Auxiliary Supports & Accessories

Diagonal Brace Kit

- Use to secure 45° diagonal brace
- Designed to be used with strut channel or angle iron
- Material: ASTM A36 structural steel
- Finish: Yellow Zinc (YZ)

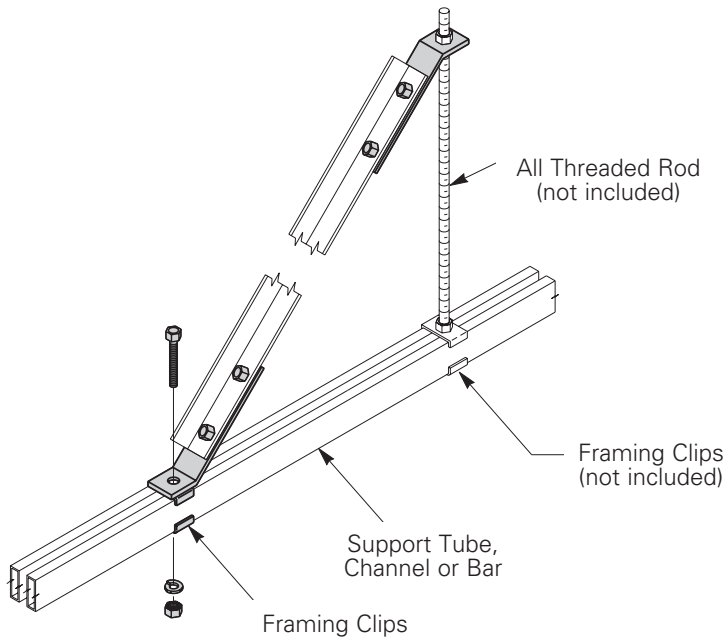


SB2304A includes
 (2) single brace fittings
 (2) framing clips
 (4) 1/2"-13 HHCS, LW, HN
 (1) 5/8"-11 HHCS, LW, HN

SB2304B includes
 (2) single brace fittings
 (2) framing clips
 (4) 1/2"-13 HHCS, LW, HN
 (1) 5/8"-11 HHCS, LW, HN

SB2306A includes
 (2) single brace fittings
 (2) framing clips
 (4) 1/2"-13 HHCS, LW, channel nuts
 (1) 5/8"-11 HHCS, LW, HN

SB2306B includes
 (2) single brace fittings
 (2) framing clips
 (4) 1/2"-13 HHCS, LW, channel nuts
 (1) 5/8"-11 HHCS, LW, HN



Auxiliary supports

Part Number	Support Structure Type		Weight	
	in.	(mm)	Lbs.	(kg)
SB2304A	2" x 9/16"	(51 x 14)	4.9	(2.22)
SB2304B	2" x 3/8"	(51 x 9)	4.9	(2.22)
SB2306A	2" x 9/16"	(51 x 14)	5.6	(2.54)
SB2306B	2" x 3/8"	(51 x 9)	5.5	(2.49)