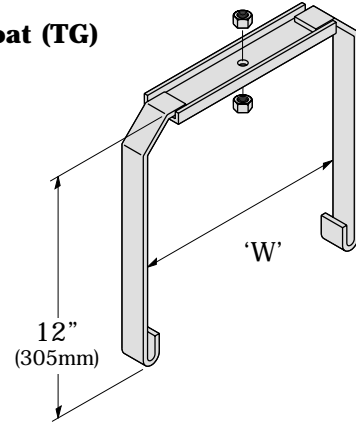
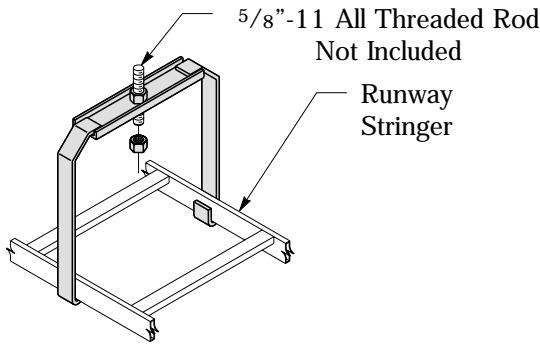


CABLE RUNWAY ACCESSORIES

Runway Center Support Hanger Kit

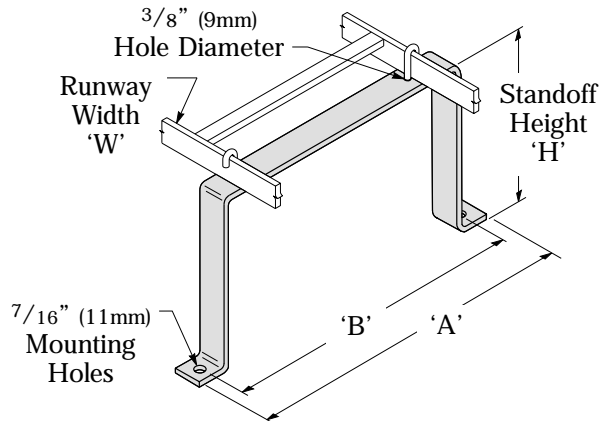
- Use to suspend cable runway from a single all threaded rod.
- Welded steel construction.
- Includes: (1) center support and (2) 5/8"-11 hex nuts.
- Material: ASTM A36 structural steel
- Finish: Yellow Zinc Dichromate (YZN) or Telco Gray Powder Coat (TG)



Part Number		Runway Width		'W'		Weight	
YZN	Gray	In.	(mm)	In.	(mm)	Lbs.	(kg)
SB-2127-05-A	SB-2127-05-A TG	5"	(127)	5 1/8"	(130)	2.7	(1.2)
SB-2127-06-A	SB-2127-06-A TG	6"	(152)	6 1/8"	(155)	2.9	(1.3)
SB-2127-09-A	SB-2127-09-A TG	9"	(228)	9 1/8"	(232)	3.4	(1.5)
SB-2127-12-A	SB-2127-12-A TG	12"	(305)	12 1/8"	(308)	3.9	(1.7)
SB-2127-15-A	SB-2127-15-A TG	15"	(381)	15 1/8"	(384)	4.3	(1.9)
SB-2127-18-A	SB-2127-18-A TG	18"	(457)	18 1/8"	(460)	4.9	(2.2)
SB-2127-20-A	SB-2127-20-A TG	20"	(508)	20 1/8"	(511)	5.3	(2.4)
SB-2127-24-A	SB-2127-24-A TG	24"	(609)	24 1/8"	(613)	6.1	(2.7)

Runway Support

- Use to support cable runway from equipment cabinets, floor or wall.
- Order (SB-1003-J) "J"-bolts and anchors separately.
- Material: ASTM A36 structural steel
- Finish: Yellow Zinc Dichromate (YZN) or Telco Gray Powder Coat (TG)



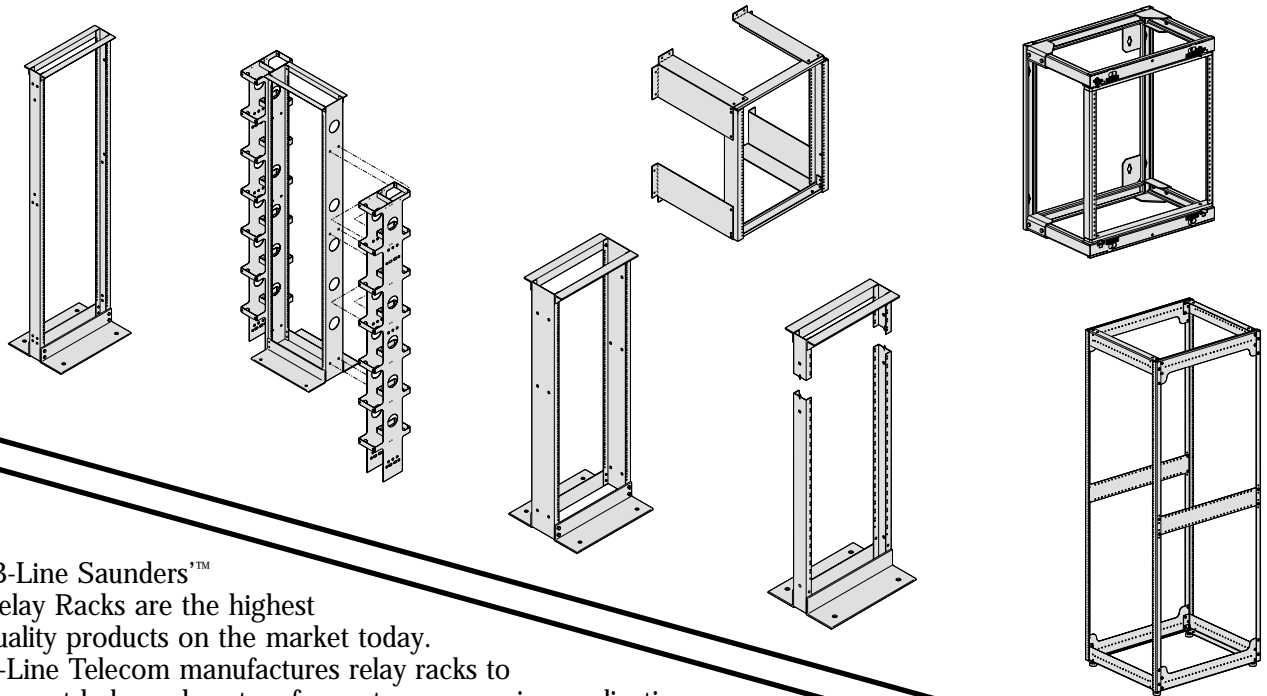
Part Number		'W'		'A'		'B'		'H'		Weight	
YZN	Gray	In.	(mm)	In.	(mm)	In.	(mm)	In.	(mm)	Lbs.	(kg)
SB-226-0402	SB-226-0402 TG							2"	(51)	.9	(.41)
SB-226-0404	SB-226-0404 TG							4"	(101)	1.2	(.54)
SB-226-0406	SB-226-0406 TG							6"	(152)	1.6	(.72)
SB-226-0408	SB-226-0408 TG							8"	(203)	1.9	(.86)
SB-226-0410	SB-226-0410 TG							10"	(254)	2.2	(1.00)
SB-226-0412	SB-226-0412 TG							12"	(305)	2.5	(1.13)

Chart for SB-226-series continued on page 217.

CABLE RUNWAY ACCESSORIES

Part Number		'W'		'A'		'B'		'H'		Weight	
YZN	Gray	In.	(mm)	In.	(mm)	In.	(mm)	In.	(mm)	Lbs.	(kg)
SB-226-0502	SB-226-0502 TG	5"	(127)	10"	(254)	8 1/2"	(216)	2"	(51)	1.0	(0.45)
SB-226-0504	SB-226-0504 TG							4"	(101)	1.3	(0.59)
SB-226-0506	SB-226-0506 TG							6"	(152)	1.6	(0.72)
SB-226-0508	SB-226-0508 TG							8"	(203)	2.0	(0.91)
SB-226-0510	SB-226-0510 TG							10"	(254)	2.3	(1.04)
SB-226-0512	SB-226-0512 TG							12"	(305)	2.6	(1.18)
SB-226-0602	SB-226-0602 TG	6"	(152)	11"	(279)	9 1/2"	(241)	2"	(51)	1.1	(0.50)
SB-226-0604	SB-226-0604 TG							4"	(101)	1.4	(0.63)
SB-226-0606	SB-226-0606 TG							6"	(152)	1.7	(0.77)
SB-226-0608	SB-226-0608 TG							8"	(203)	2.1	(0.95)
SB-226-0610	SB-226-0610 TG							10"	(254)	2.4	(1.09)
SB-226-0612	SB-226-0612 TG							12"	(305)	2.7	(1.22)
SB-226-0902	SB-226-0902 TG	9"	(228)	14"	(355)	12 1/2"	(317)	2"	(51)	1.3	(0.59)
SB-226-0904	SB-226-0904 TG							4"	(101)	1.7	(0.77)
SB-226-0906	SB-226-0906 TG							6"	(152)	2.0	(0.91)
SB-226-0908	SB-226-0908 TG							8"	(203)	2.3	(1.04)
SB-226-0910	SB-226-0910 TG							10"	(254)	2.6	(1.18)
SB-226-0912	SB-226-0912 TG							12"	(305)	2.9	(1.31)
SB-226-1202	SB-226-1202 TG	12"	(305)	17"	(432)	15 1/2"	(394)	2"	(51)	1.6	(0.72)
SB-226-1204	SB-226-1204 TG							4"	(101)	1.9	(0.86)
SB-226-1206	SB-226-1206 TG							6"	(152)	2.2	(1.00)
SB-226-1208	SB-226-1208 TG							8"	(203)	2.5	(1.13)
SB-226-1210	SB-226-1210 TG							10"	(254)	2.8	(1.27)
SB-226-1212	SB-226-1212 TG							12"	(305)	3.2	(1.45)
SB-226-1502	SB-226-1502 TG	15"	(381)	20"	(355)	18 1/2"	(470)	2"	(51)	1.8	(0.81)
SB-226-1504	SB-226-1504 TG							4"	(101)	2.1	(0.95)
SB-226-1506	SB-226-1506 TG							6"	(152)	2.4	(1.09)
SB-226-1508	SB-226-1508 TG							8"	(203)	2.8	(1.27)
SB-226-1510	SB-226-1510 TG							10"	(254)	3.1	(1.40)
SB-226-1512	SB-226-1512 TG							12"	(305)	3.4	(1.54)
SB-226-1802	SB-226-1802 TG	18"	(457)	23"	(584)	21 1/2"	(546)	2"	(51)	2.1	(0.95)
SB-226-1804	SB-226-1804 TG							4"	(101)	2.4	(1.09)
SB-226-1806	SB-226-1806 TG							6"	(152)	2.7	(1.22)
SB-226-1808	SB-226-1808 TG							8"	(203)	3.0	(1.36)
SB-226-1810	SB-226-1810 TG							10"	(254)	3.3	(1.49)
SB-226-1812	SB-226-1812 TG							12"	(305)	3.6	(1.63)
SB-226-2002	SB-226-2002 TG	20"	(508)	25"	(635)	23 1/2"	(597)	2"	(51)	2.3	(1.04)
SB-226-2004	SB-226-2004 TG							4"	(101)	2.6	(1.18)
SB-226-2006	SB-226-2006 TG							6"	(152)	2.9	(1.31)
SB-226-2008	SB-226-2008 TG							8"	(203)	3.2	(1.45)
SB-226-2010	SB-226-2010 TG							10"	(254)	3.5	(1.59)
SB-226-2012	SB-226-2012 TG							12"	(305)	3.8	(1.72)
SB-226-2402	SB-226-2402 TG	24"	(609)	29"	(736)	27 1/2"	(698)	2"	(51)	2.5	(1.13)
SB-226-2404	SB-226-2404 TG							4"	(101)	2.8	(1.27)
SB-226-2406	SB-226-2406 TG							6"	(152)	3.2	(1.45)
SB-226-2408	SB-226-2408 TG							8"	(203)	3.5	(1.59)
SB-226-2410	SB-226-2410 TG							10"	(254)	3.8	(1.72)
SB-226-2412	SB-226-2412 TG							12"	(305)	4.1	(1.86)

SAUNDERS™ RELAY RACKS



Relay Racks

B-Line Saunders™ Relay Racks are the highest quality products on the market today. B-Line Telecom manufactures relay racks to support hubs and routers for customer premise applications or to support power and transmission equipment in the central office environment. All B-Line Telecom racks are manufactured to conform to or exceed EIA-310-D and some are even UL Listed.

B-Line Telecom relay racks are constructed in either highly durable 6061-T6 aluminum or heavy duty steel. Racks are available in 19" (482mm) and 23" (584mm) widths, 36" (914mm) to 140" (3556mm) heights and a variety of finishes which include brush satin aluminum, telco gray, flat black, computer white or custom colors unique to your installation.

B-Line Telecom's customer premise rack offers a versatile approach to voice and data installations. Constructed of sturdy brushed aluminum, B-Line Telecom's 84" (2133mm) x 19" (482mm) customer premise relay rack is equipped with universal mounting hole spacing 5/8" x 5/8" x 1/2" (16mm x 16mm x 13mm) for panel mounting, two top angles for more rigidity and tapped assembly holes for self-squaring. The SB-556-084-XU is designed for junctioning compatibility with other major rack manufacturers. Superior design and top quality manufacturing make B-Line Telecom racks the industry standard.

B-Line System's commitment to quality and innovation is witnessed in our product offering and its adaptability to an ever-changing industry.

<u>Material:</u>	<u>Type</u>	<u>Thickness</u>	<u>Specifications</u>
	Steel Bar 3/8" (9.5mm) - 7 Gauge (4.5mm) ASTM A36
	Steel Strip 10 Gauge (3.4mm) - 12 Gauge (2.6mm) ASTM A569
	Aluminum 6061-T6

<u>Finishes:</u>		
	Brushed Aluminum ASTM A480
	Powder Coat Paint ASTM D3451
	- Telco Gray (TG)	
	- Computer White (CW)	
	- Flat Black (FB)	
	Chemical Conversion Coatings Available	

<u>Standard Conformance:</u>
EIA-310-D
UL - Listed Communication Circuit Accessory (file no. E171936).