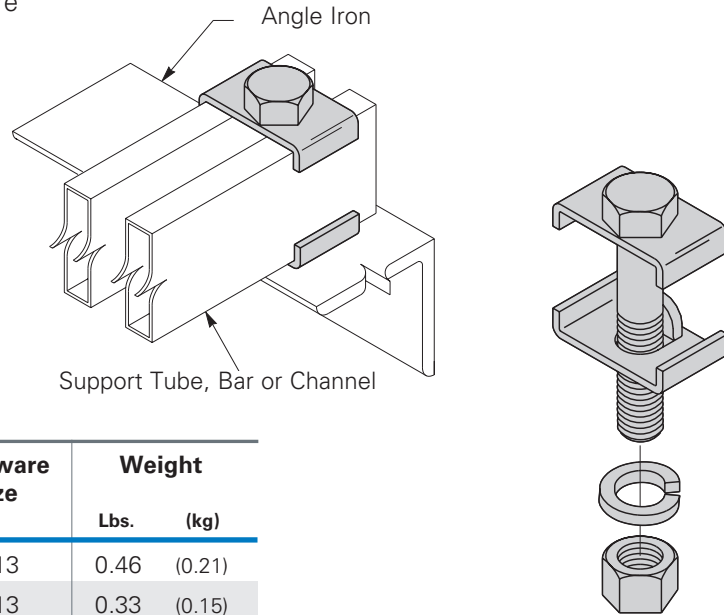


Auxiliary Supports & Accessories

Wall Angle Framing Clip Kit

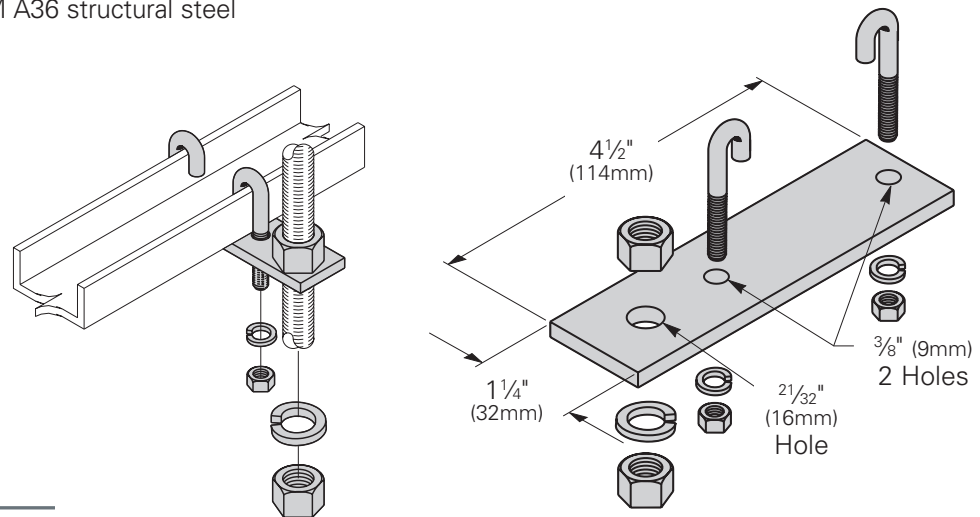
- Use to fasten support framing to wall support angle
- Includes: (2) framing clips and 1/2"-13 hardware
- Material: 11 Ga. (3mm) ASTM A1011 steel
- Finish: Yellow Zinc (YZ)



Part Number	Support Framing Size		Hardware Size	Weight	
	in.	(mm)		Lbs.	(kg)
SB2212A	2" x 9/16"	(51 x 14)	1/2"-13	0.46	(0.21)
SB2212B	2" x 3/8"	(51 x 9)	1/2"-13	0.33	(0.15)
SB2212C	2" x 9/16"	(51 x 14)	5/8"-11	0.50	(0.22)
SB2212D	2" x 3/8"	(51 x 9)	5/8"-11	0.39	(0.17)

1" x 2" Channel Support Kit

- Use to suspend 1" (25mm) x 2" (51mm) auxiliary support
- Sized for 5/8"-11 threaded rod
- Includes: (1) plate, (2) 'J'-Bolts, lockwashers, and hex nuts, (1) 5/8" lockwasher and (2) 5/8"-11 hex nuts
- Material: 1/4" (6mm) ASTM A36 structural steel
- Finish: Yellow Zinc (YZ)



Part Number	Weight	
	Lbs.	(kg)
SB2206A	0.70	(0.32)