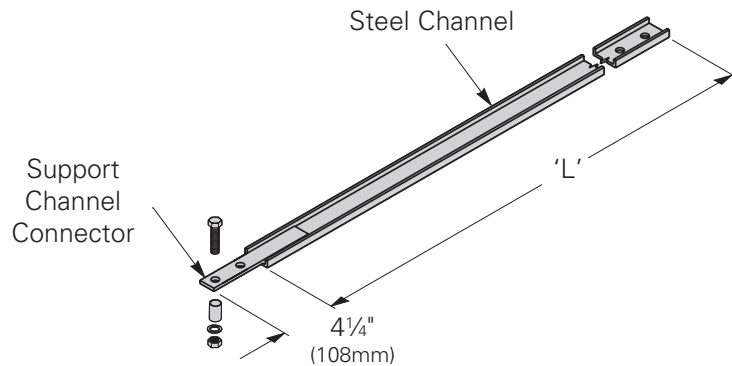


Auxiliary Supports & Accessories

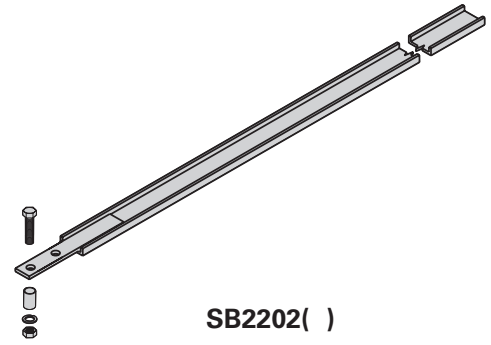
2" x 9/16" Support Channel

- Use as an auxiliary support
- 2" (51mm) x 9/16" (14mm) x 3/16" (5mm) steel channel
- Normally used in pairs
- 9/16" (14mm) diameter attachment holes where shown
- Includes: Pre-assembled channel, spacer, and hardware for 01 and 02 styles only
- Material: ASTM A36 structural steel splices ASTM A36 structural steel channel
- Finish ___: Flat black powder coat (FB)
Telco gray powder coat (TG)
Yellow zinc (YZ)
Other finishes are available upon request



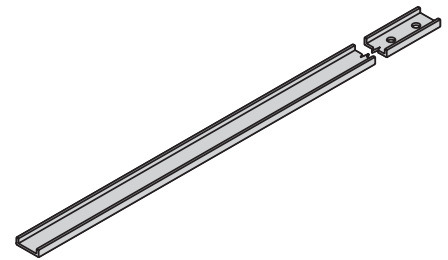
SB2201()

With Pre-assembled Welded Splice

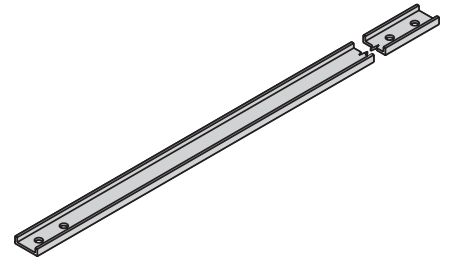


SB2202()

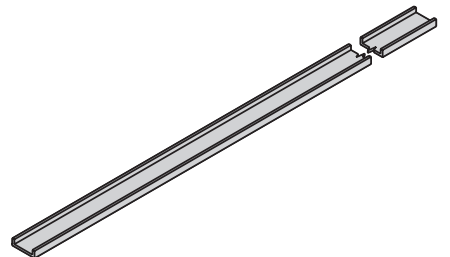
With Pre-assembled Welded Splice



SB2203()



SB2204()



SB2205()

| Part Number | Length 'L' | | Weight | |
|-------------|------------|--------|--------|-------|
| | Ft. | (m) | Lbs. | (kg) |
| SB220103__ | 3' | (.91) | 6.5 | (2.9) |
| SB220105__ | 5' | (1.52) | 10.0 | (4.5) |
| SB220110__ | 10' | (3.05) | 18.8 | (8.5) |
| SB220203__ | 3' | (.91) | 6.5 | (2.9) |
| SB220205__ | 5' | (1.52) | 10.0 | (4.5) |
| SB220210__ | 10' | (3.05) | 18.8 | (8.5) |
| SB220303__ | 3' | (.91) | 5.3 | (2.4) |
| SB220305__ | 5' | (1.52) | 8.8 | (4.0) |
| SB220310__ | 10' | (3.05) | 17.6 | (8.0) |
| SB220403__ | 3' | (.91) | 5.3 | (2.4) |
| SB220405__ | 5' | (1.52) | 8.8 | (4.0) |
| SB220410__ | 10' | (3.05) | 17.6 | (8.0) |
| SB220503__ | 3' | (.91) | 5.3 | (2.4) |
| SB220505__ | 5' | (1.52) | 8.8 | (4.0) |
| SB220510__ | 10' | (3.05) | 17.6 | (8.0) |

Specify part number and finish when ordering.