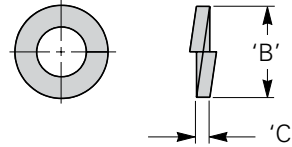


# Mounting Hardware & Supports

## Lock Washer

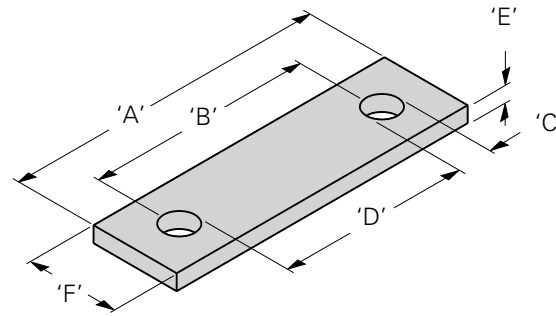
- Material: ANSI 18.21.1 steel.  
651 alloy silicon bronze
- Finish: Yellow zinc (YZ)  
Silicon Bronze (SB)



YZN	Part Number Silicon Bronze	Thread Size	'B'		'C'		Weight Per 100	
			In.	(mm)	In.	(mm)	Lbs.	(kg)
—	<b>10LWSB</b>	#10-24	2 <sup>1</sup> / <sub>64</sub> "	(8.2)	.05"	(1.3)	0.1	(0.04)
<b>1/4LWYZN</b>	<b>1/4LWSB</b>	1/4"-20	1 <sup>5</sup> / <sub>32</sub> "	(11.9)	.05"	(1.3)	3.0	(1.36)
<b>5/16LWYZN</b>	<b>5/16LWSB</b>	5/16"-18	1 <sup>9</sup> / <sub>32</sub> "	(15.1)	.09"	(2.3)	4.0	(1.81)
<b>3/8LWYZN</b>	<b>3/8LWSB</b>	3/8"-16	1 <sup>1</sup> / <sub>16</sub> "	(17.4)	.10"	(2.5)	6.0	(2.72)
<b>1/2LWYZN</b>	<b>1/2LWSB</b>	1/2"-13	7/8"	(22.2)	.13"	(3.3)	13.0	(5.89)
<b>5/8LWYZN</b>	—	5/8"-11	1 <sup>3</sup> / <sub>32</sub> "	(27.8)	.17"	(4.3)	25.0	(11.34)

## Two Hole Plate

- Material: ASTM A36 structural steel
- Finish: Yellow zinc (YZ)



Part Number	'A'		'B'		'C'		'D'		'E'		'L'		Weight	
	In.	(mm)	In.	(mm)	In.	(mm)	In.	(mm)	In.	(mm)	In.	(mm)	Lbs.	(kg)
<b>SB21501</b>	3 <sup>5</sup> / <sub>8</sub> "	(92)	2 <sup>7</sup> / <sub>16</sub> "	(62)	7/16"	(11)	2"	(51)	3/16"	(5)	1 <sup>1</sup> / <sub>4</sub> "	(32)	0.25	(0.11)
<b>SB21502</b>	3 <sup>13</sup> / <sub>16</sub> "	(97)	2 <sup>5</sup> / <sub>8</sub> "	(66)	9/16"	(14)	2 <sup>1</sup> / <sub>16</sub> "	(52)	3/16"	(5)	1 <sup>1</sup> / <sub>4</sub> "	(32)	0.25	(0.11)
<b>SB21503</b>	3 <sup>1</sup> / <sub>4</sub> "	(82)	2 <sup>1</sup> / <sub>16</sub> "	(52)	9/16"	(14)	1 <sup>1</sup> / <sub>2</sub> "	(38)	3/16"	(5)	1 <sup>1</sup> / <sub>4</sub> "	(32)	0.20	(0.09)
<b>SB21504</b>	3 <sup>3</sup> / <sub>4</sub> "	(95)	2 <sup>9</sup> / <sub>16</sub> "	(65)	3/8"	(9)	2 <sup>3</sup> / <sub>16</sub> "	(55)	3/16"	(5)	1 <sup>1</sup> / <sub>4</sub> "	(32)	0.20	(0.09)
<b>SB21505</b>	3 <sup>1</sup> / <sub>2</sub> "	(89)	2 <sup>7</sup> / <sub>16</sub> "	(62)	3/8"	(9)	2 <sup>1</sup> / <sub>16</sub> "	(52)	3/16"	(5)	1 <sup>1</sup> / <sub>4</sub> "	(32)	0.20	(0.09)
<b>SB21506</b>	5 <sup>1</sup> / <sub>8</sub> "	(130)	4 <sup>3</sup> / <sub>8</sub> "	(111)	3/8"	(9)	4"	(101)	1/4"	(6)	1 <sup>1</sup> / <sub>4</sub> "	(32)	0.35	(0.16)
<b>SB21507</b>	6 <sup>3</sup> / <sub>4</sub> "	(171)	5 <sup>3</sup> / <sub>4</sub> "	(146)	9/16"	(14)	5 <sup>3</sup> / <sub>16</sub> "	(132)	3/8"	(9)	2"	(51)	1.40	(0.63)

## Touch-Up Paint

- Size: 0.6 ounce bottle
- Brush on

Part Number	Color	Qty./Box	Wt./Box ozs. (liter)
<b>SB420CFB</b>	Flat Black Lacquer	1	0.6 (0.18)
<b>SB420CTG</b>	Gray Lacquer	1	0.6 (0.18)