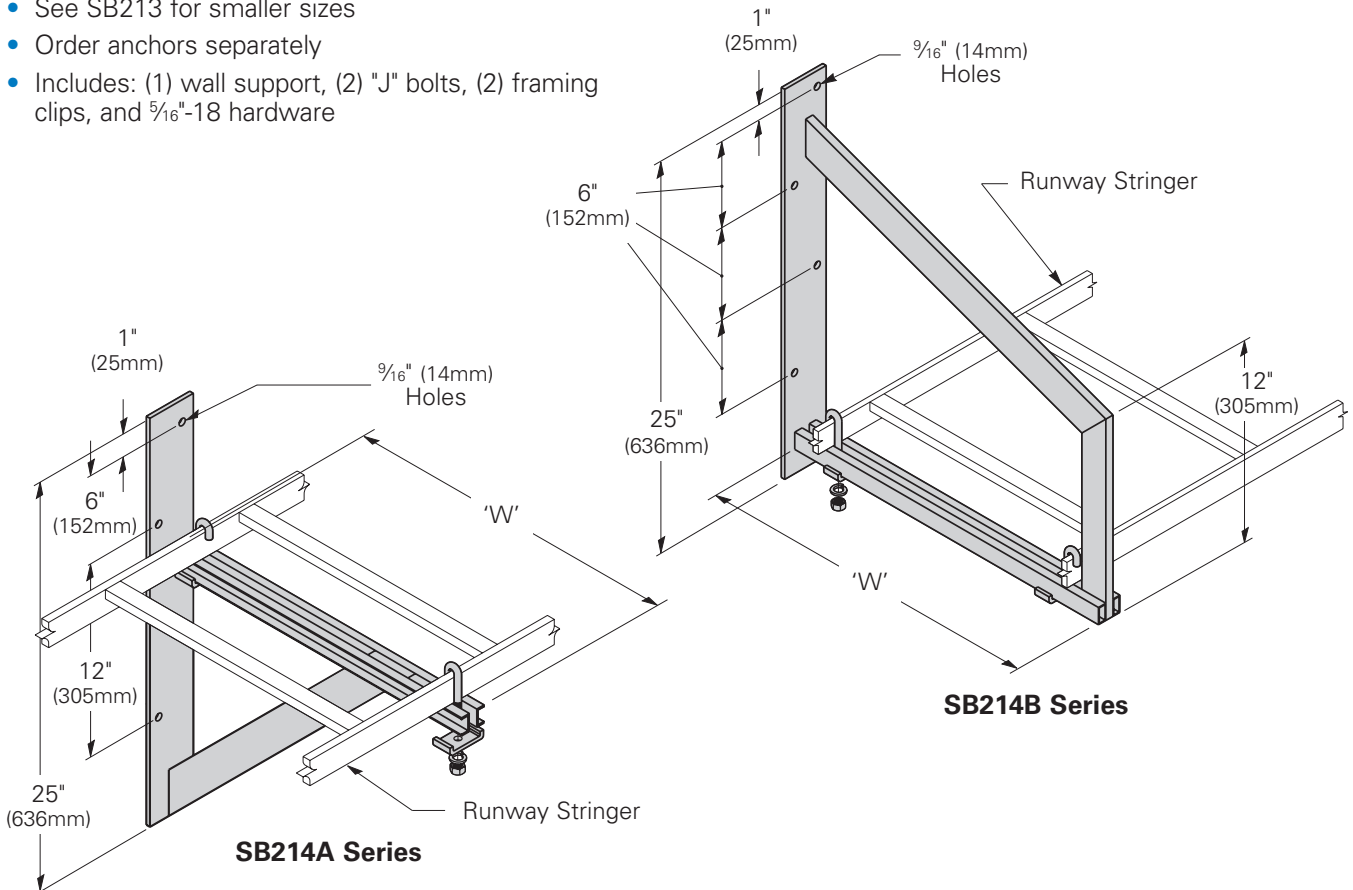


Cable Runway & Accessories

Runway Wall Support

- Use to support cable runway from wall
- Sized for both 1½" (38mm) & 2" (51mm) stringers
- Welded steel construction
- Designed for 15" (381mm), 18" (457mm), and 24" (609mm) cable runways
- See SB213 for smaller sizes
- Order anchors separately
- Includes: (1) wall support, (2) "J" bolts, (2) framing clips, and 5/16"-18 hardware

- Material: ASTM A36 structural steel
- Finish ____: Flat black powder coat (FB)
Telco gray powder coat (TG)
Yellow zinc (YZ)



SB214A Series

Part Number	Runway Width		'W' Bracket Width		Weight	
	In.	(mm)	In.	(mm)	Lbs.	(kg)
SB214A15K__	15"	(381)	18"	(457)	9.0	(4.1)
SB214A18K__	18"	(457)	21"	(533)	9.3	(4.2)
SB214A24K__	24"	(609)	27"	(686)	10.0	(4.5)

SB214B Series

Part Number	Runway Width		'W' Bracket Width		Weight	
	In.	(mm)	In.	(mm)	Lbs.	(kg)
SB214B15K__	15"	(381)	18"	(457)	10.0	(4.5)
SB214B18K__	18"	(457)	21"	(533)	10.5	(4.7)
SB214B24K__	24"	(609)	27"	(686)	11.4	(5.2)

Specify part number and finish when ordering.