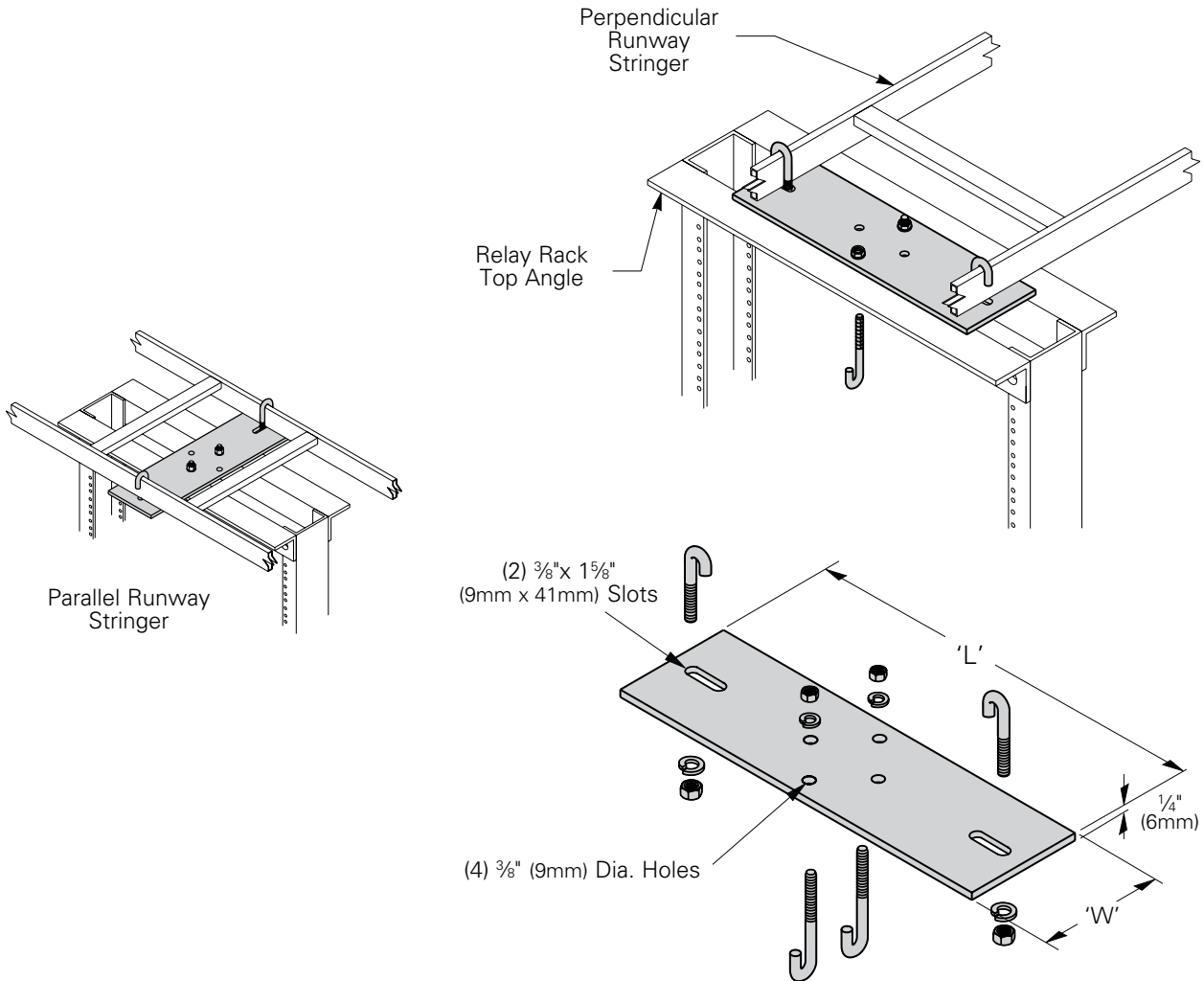


# Cable Runway & Accessories

## 3" Upright Network Equipment Rack Top Plate Runway Support Kit

- Use to secure cable runway to top angles of network equipment rack
- Accommodates runway in parallel or perpendicular arrangement
- Includes: (1) mounting plate and (4) "J" bolts with  $\frac{5}{16}$ "-18 hardware
- Material: ASTM A36 structural steel
- Finish \_\_\_\_: Flat black powder coat (FB)  
Telco gray powder coat (TG)  
Yellow zinc (YZ)



Part Number	Runway Width		Width 'W'		Length 'L'		Weight	
	In.	(mm)	In.	(mm)	In.	(mm)	Lbs.	(kg)
<b>SB213309</b> __	6" - 9"	(152 - 228)	4"	(101)	9 $\frac{7}{8}$ "	(251)	3.4	(1.5)
<b>SB213312</b> __	8" - 12"	(203 - 305)	4"	(101)	12 $\frac{7}{8}$ "	(327)	4.3	(2.0)
<b>SB213318</b> __	14" - 18"	(355 - 457)	4"	(101)	18 $\frac{7}{8}$ "	(479)	6.1	(2.8)
<b>SB213324</b> __	24"	(609)	7"	(178)	24 $\frac{7}{8}$ "	(632)	12.5	(5.7)

Specify part number and finish when ordering.