

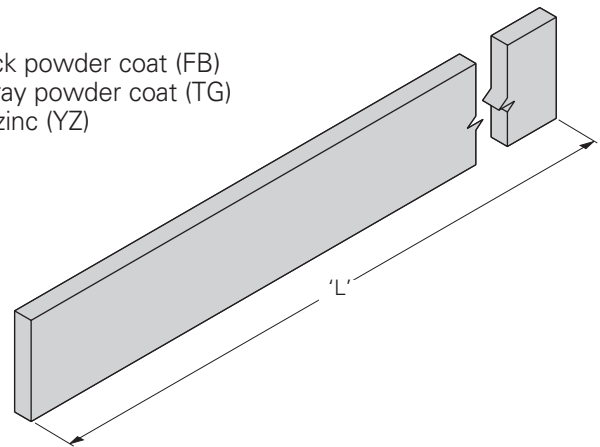
Auxiliary Supports & Accessories

2" x 3/8" Support Bar

- Use as an auxiliary support
- Normally used in pairs
- Material: ASTM A36 structural steel
- Finish ____: Flat black powder coat (FB)
Telco gray powder coat (TG)
Yellow zinc (YZ)

Part Number	Length 'L'		Weight	
	Ft.	(m)	Lbs.	(kg)
SB2305__	5'	(1.52)	12.75	(5.78)
SB2310__	10'	(3.05)	25.50	(11.56)

Specify part number and finish when ordering.

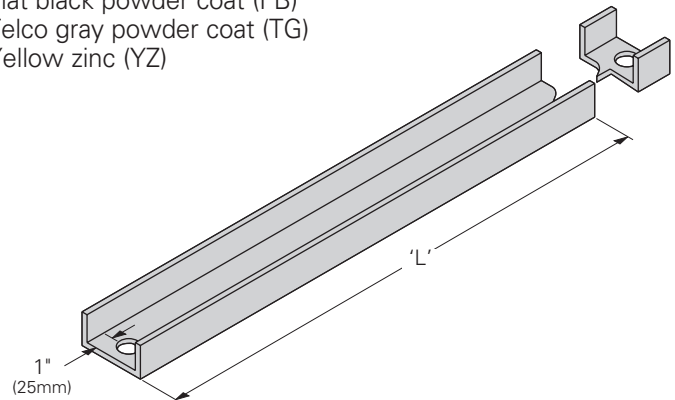


1" x 2" Support Channel

- Use as an auxiliary support
- 17/32" (13mm) diameter attachment holes
- Material: ASTM A36 structural steel
- Finish ____: Flat black powder coat (FB)
Telco gray powder coat (TG)
Yellow zinc (YZ)

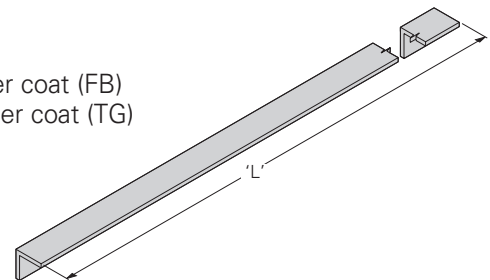
Part Number	Length 'L'		Weight	
	Ft.	(m)	Lbs.	(kg)
SB24B05__	5'	(1.52)	11.7	(5.31)
SB24B10__	10'	(3.05)	23.3	(10.57)

Specify part number and finish when ordering.



Support Angle

- Use as an structural support or brace
- Angle size shown in chart
- Material: ASTM A1011 CS steel
- Finish ____: Flat black powder coat (FB)
Telco gray powder coat (TG)
Yellow zinc (YZ)



Part Number	Angle Size		Length 'L'		Weight	
	in.	(mm)	Ft.	(m)	Lbs.	(kg)
SB212A05__	1½" x 1½" x 3/16"	(38 x 38 x 5)	5'	(1.52)	9.0	(4.1)
SB212A10__	1½" x 1½" x 3/16"	(38 x 38 x 5)	10'	(3.05)	18.0	(8.1)
SB212B05__	2" x 2" x 1/4"	(51 x 51 x 6)	5'	(1.52)	16.0	(7.2)
SB212B10__	2" x 2" x 1/4"	(51 x 51 x 6)	10'	(3.05)	32.0	(14.5)
SB212C05__	2" x 2" x 3/16"	(51 x 51 x 5)	5'	(1.52)	12.0	(5.4)
SB212C10__	2" x 2" x 3/16"	(51 x 51 x 5)	10'	(3.05)	24.0	(10.9)

Specify part number and finish when ordering.