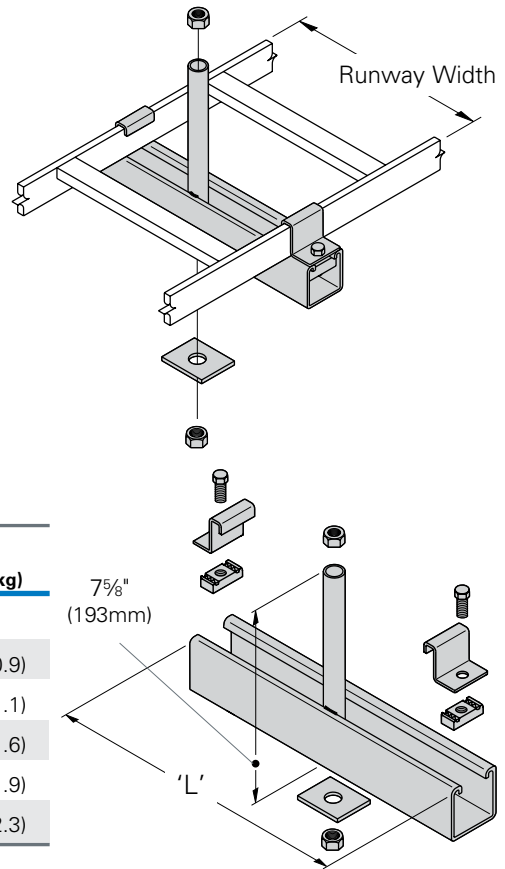


# Cable Runway & Accessories

## Cable Runway Center Hung Supports

- Used to support cable runways
- For use with ½"-13 or ⅝"-11 threaded rod
- Welded steel construction
- Includes: (1) support, (2) hold-down clamps, (2) HHCS, (2) channel nuts, (1) square washer, (2) ½"-13 hex nuts, and (2) ⅝"-11 hex nuts
- Material: ASTM A570 structural steel
- Finish \_\_\_\_: Flat black powder coat (FB)  
Telco gray powder coat (TG)  
Yellow zinc (YZ)

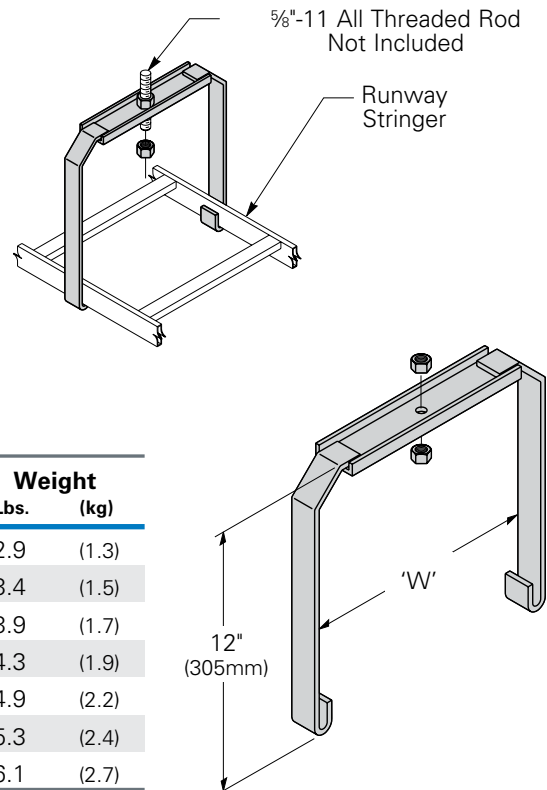


Part Number	Runway Width In. (mm)	'L' In. (mm)	Weight Lbs. (kg)
<b>For ⅜" (9mm) x 1½" (38mm) Stringers</b>			
SB2127S06__	6" (152)	9" (228)	2.0 (0.9)
SB2127S09__	9" (228)	12" (305)	2.5 (1.1)
SB2127S15__	12" - 15" (305-381)	18" (457)	3.5 (1.6)
SB2127S20__	18" - 20" (457-508)	23" (584)	4.3 (1.9)
SB2127S24__	24" (609)	27" (686)	5.0 (2.3)

Specify part number and finish when ordering.

## Runway Center Support Hanger Kit

- Use to suspend cable runway from a single all threaded rod
- Welded steel construction
- Includes: (1) center support and (2) ⅝"-11 hex nuts
- Material: ASTM A36 structural steel
- Finish \_\_\_\_: Flat black powder coat (FB)  
Telco gray powder coat (TG)  
Yellow zinc (YZ)



Part Number	Runway Width In. (mm)	'W' In. (mm)	Weight Lbs. (kg)
SB212706A__	6" (152)	6 ⅛" (155)	2.9 (1.3)
SB212709A__	9" (228)	9 ⅛" (232)	3.4 (1.5)
SB212712A__	12" (305)	12 ⅛" (308)	3.9 (1.7)
SB212715A__	15" (381)	15 ⅛" (384)	4.3 (1.9)
SB212718A__	18" (457)	18 ⅛" (460)	4.9 (2.2)
SB212720A__	20" (508)	20 ⅛" (511)	5.3 (2.4)
SB212724A__	24" (609)	24 ⅛" (613)	6.1 (2.7)

Specify part number and finish when ordering.