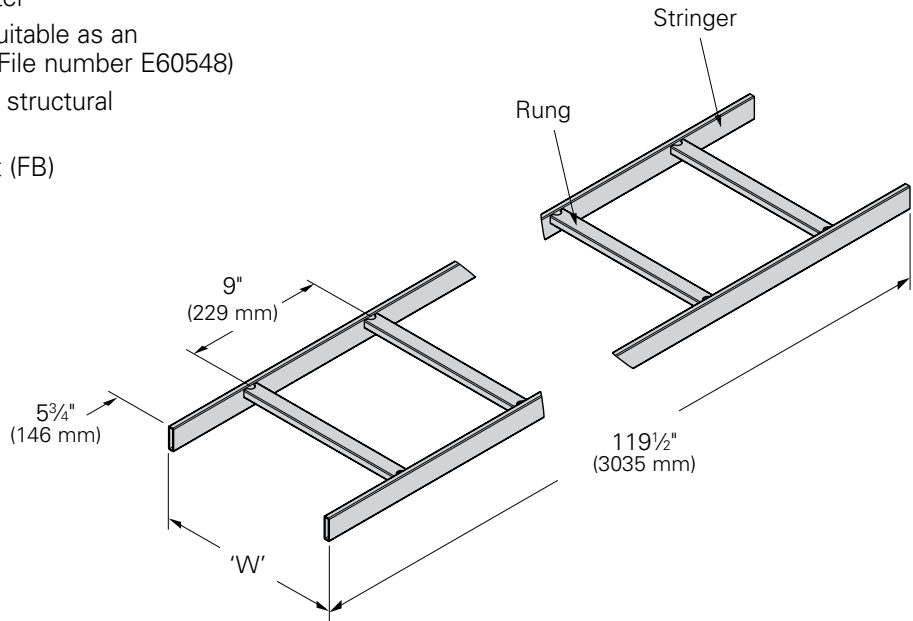


Cable Runway & Accessories

Tubular Stringer Style - 1 1/2" (Telco Spacing)

- Ladder type cable runway for communication cabling pathways
- Mounts to ceilings, walls, floors, relay racks, and electronic enclosures
- 3/8" (9mm) x 1 1/2" (38mm) x 0.049" (1.2mm) tubular steel stringers
- 1/2" (13mm) x 1" (25mm) x 0.060" (1.5mm) tubular steel rungs spaced 9" (228mm) on center
- All finishes are UL Classified as suitable as an equipment grounding conductor (File number E60548)
- Material: ASTM A513 grade 1008 structural steel tubing
- Finish ____: Flat black powder coat (FB)

Telco gray powder coat (TG)
Yellow zinc (YZ)



Note: For runway pans
see pages 144-145

Series Number	Stringer Dimensions	Span		Recommended Load		Max. Load @ 5/8" Deflection		Deflection Multiplier
		Ft.	(m)	Lbs./Ft.	(N/m)	Lbs./Ft.	(N/m)	
SB17T		4	(1.22)	149	(2174)	347	(5062)	0.0018
		5	(1.52)	95	(1386)	145	(2115)	0.0043
		6	(1.83)	66	(963)	70	(1021)	0.0089

UL Cross Sectional Area

0.40 in² (2.58 cm²)

Design Factors for (1) Rail

Area = .174 in² (1.12 cm²)

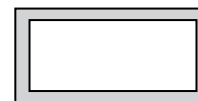
Sx = .056 in³ (0.92 cm³)

Ix = .419 in⁴ (17.44 cm⁴)

SB17T Tubular - 1/2" (38mm) Stringers

Part Number	'W' Width		Weight	
	In.	(mm)	Lbs.	(kg)
SB17T06__	6"	(152)	18.7	(8.5)
SB17T09__	9"	(228)	20.9	(9.5)
SB17T12__	12"	(305)	23.1	(10.5)
SB17T15__	15"	(381)	25.2	(11.5)
SB17T18__	18"	(457)	27.4	(12.4)
SB17T24__	24"	(609)	31.7	(13.4)

Rung Profile



1/2" x 1"
.060 thick

Specify part number and finish when ordering.