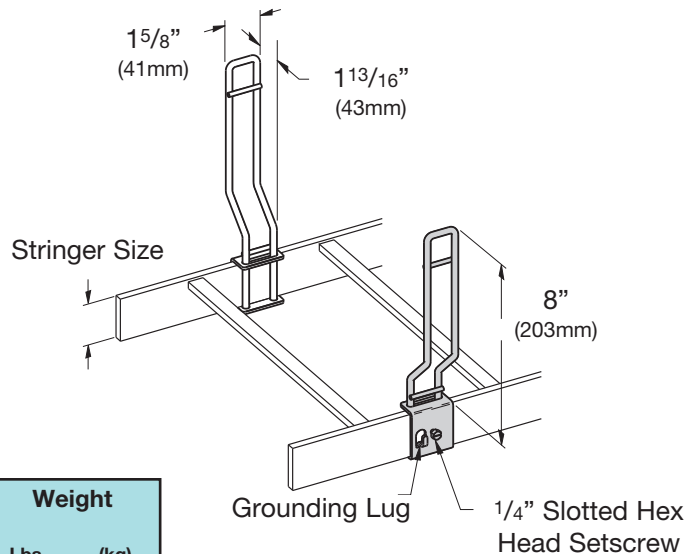


Offset Cable Horn - Stringer Mounted

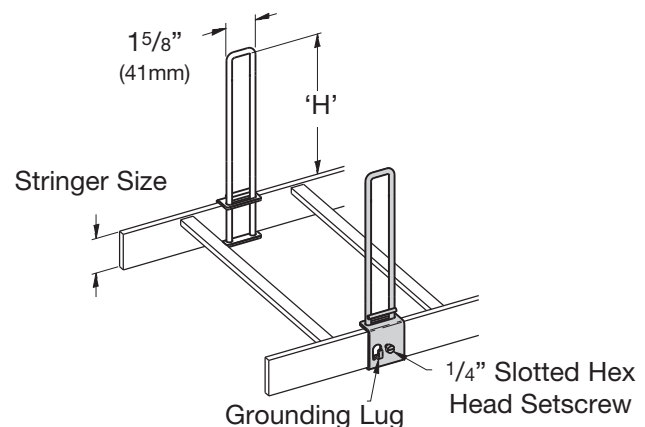
- Designed as a stringer extension to help retain cables in the runway.
- Grounding lugs included on retainer clip for quick and easy grounding.
- Includes: (1) offset cable horn and (1) runway stringer retainer clip.
- Material: cable horn - ASTM A510 steel
retainer clip - ASTM A607 Grade 50
- Finish___: Yellow Zinc (YZ) or Black Zinc (BZ)



Part Number	Stringer Size		Weight	
	In.	(mm)	Lbs.	(kg)
SB13011/2___	3/8" x 1 1/2"	(9 x 38)	.61	(0.27)

Straight Cable Horn - Stringer Mounted

- Designed as a stringer extension to help retain cables in the runway.
- Grounding lugs included on retainer clip for quick and easy grounding.
- Includes: (1) straight cable horn and (1) runway stringer retainer clip.
- Material: cable horn - ASTM A510 steel
retainer clip - ASTM A607 Grade 50
- Finish___: Yellow Zinc (YZ) or Black Zinc (BZ)



Part Number	Stringer Size		'H'		Weight	
	In.	(mm)	In.	(mm)	Lbs.	(kg)
SB131811/2___	3/8" x 1 1/2"	(9 x 38)	8"	(203)	.58	(0.26)
SB1311411/2___	3/8" x 1 1/2"	(9 x 38)	14"	(355)	.72	(0.32)