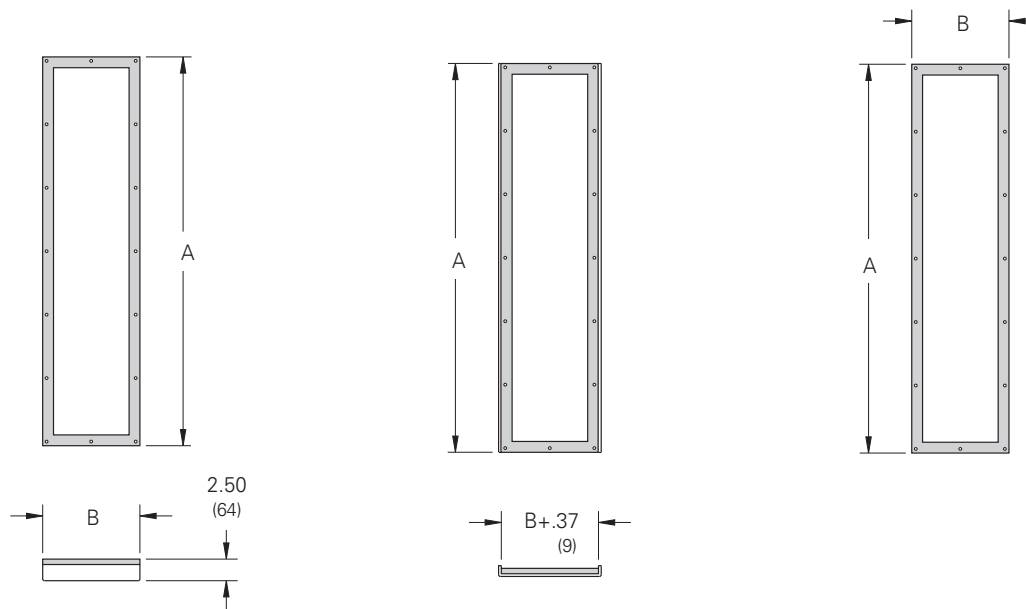


Modular Free-Standing Enclosure Accessories Type 12 Illustration Sheet and Catalog Number

Modular Accessories

Catalog Number	Size				Fits Enclosure			
	A		B		H x D			
	in.	mm	in.	mm	in.	mm	in.	mm
End Plate								
M7218-12FEK	72.00	1829	18.00	457	72.00	1829	18.00	457
M8418-12FEK	84.00	2134	18.00	457	84.00	2134	18.00	457
M8424-12FEK	84.00	2134	24.00	610	84.00	2134	24.00	610
Flat End Plate/Barrier								
M7218-12FBK	72.00	1829	18.25	464	72.00	1829	18.00	457
M8418-12FBK	84.00	2134	18.25	464	84.00	2134	18.00	457
M8424-12FBK	84.00	2134	24.25	464	84.00	2134	24.00	610
Gasket Kit								
M7218-12FGK	72.00	1829	18.00	457	72.00	1829	18.00	457
M8418-12FGK	84.00	2134	18.00	457	84.00	2134	18.00	457
M8424-12FGK	84.00	2134	24.00	610	84.00	2134	24.00	610



End Plate

Formed end plate and gasket used to seal open end of Modular enclosure. Includes: End Plate, Gasket & Hardware.

Flat End Plate

Flat end plate and gasket used to seal open end of Modular enclosure. Also can serve as a barrier when additional gasket is used. Includes: Flat End Plate, Gasket & Hardware

Gasket Kit

Pre-cut and pre-punched high density poron gasket is required for sealing barrier to additional modular enclosures when ganging. Includes: Gasket & Hardware.

Notes: Dimensions are in inches. Millimeters shown are for reference only. Data subject to change without notice.

Disconnect Enclosures

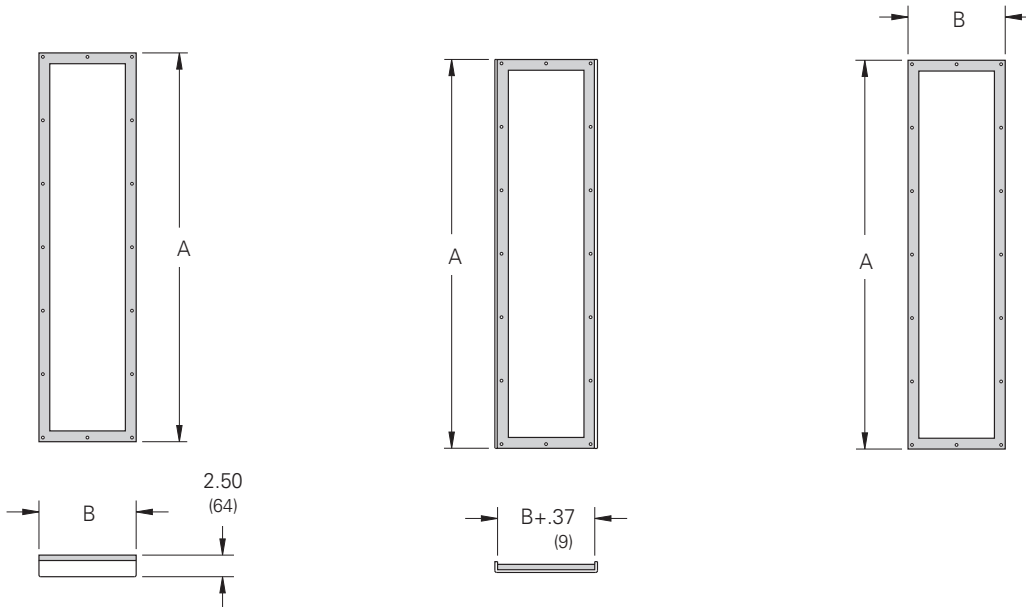
Free-Standing Accessories End Plates & Gasket Kits

Illustration Sheet and Catalog Number

Disconnect Encl.

Modular Accessories

Catalog Number	Size				Fits Enclosure			
	A		B		H x D		H x D	
	in.	mm	in.	mm	in.	mm	in.	mm
End Plate								
M7218-12FEK	72.00	1829	18.00	457	72.00	1829	18.00	457
M8418-12FEK	84.00	2134	18.00	457	84.00	2134	18.00	457
M8424-12FEK	84.00	2134	24.00	610	84.00	2134	24.00	610
Flat End Plate/Barrier								
M7218-12FBK	72.00	1829	18.25	464	72.00	1829	18.00	457
M8418-12FBK	84.00	2134	18.25	464	84.00	2134	18.00	457
M8424-12FBK	84.00	2134	24.25	464	84.00	2134	24.00	610
Gasket Kit								
M7218-12FGK	72.00	1829	18.00	457	72.00	1829	18.00	457
M8418-12FGK	84.00	2134	18.00	457	84.00	2134	18.00	457
M8424-12FGK	84.00	2134	24.00	610	84.00	2134	24.00	610



End Plate
Formed end plate and gasket used to seal open end of Modular enclosure.
Includes: End Plate, Gasket & Hardware.

Flat End Plate
Flat end plate and gasket used to seal open end of Modular enclosure. Also can serve as a barrier when additional gasket is used.
Includes: Flat End Plate, Gasket & Hardware

Gasket Kit
Pre-cut and pre-punched high density poron gasket is required for sealing barrier to additional modular enclosures when ganging.
Includes: Gasket & Hardware.

Notes: Dimensions are in inches. Millimeters shown are for reference only. Data subject to change without notice.