

Guardian DP50 NEMA 4 or 4X Air Conditioners

Model	NEMA Rating	BTU/H Capacity	95/95 Rating BTU/H	Ambient Temp.				Volts	* Hz	** Running Amps	Weight	
				Max.	Min.	Max.	Min.				lbs	kg
K2NA6C14DP50L	4	14000	13000	131	-20	55	-29	230	60	13.5	207	94
K2NA6C14DP50LV	4X	14000	13000	131	-20	55	-29	230	60	13.5	207	94

* 115V 60 Hz models perform at reduced capacity when operated at 100V 50 Hz.

** Rating shown for operation at maximum ambient temperature.



Transitioning to ANSI 61 Gray finish



NEMA TYPE 4 OR 4X MAINTAINED

Standard Features

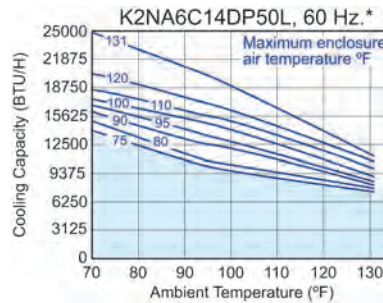
- Baked Powder Finish
- Built-In Condensate Evaporator
- Closed-Loop Cooling
- Condenser Blower Controller
- Epoxy-Coated Condenser Coils
- Filters (2)
- Heavy-duty Steel Shell
- Internal Corrosion Protection (NEMA 4X Models)
- Low Temperature Control Thermostat*
- NEMA 4 or 4X Rating Maintained (UL50)
- Six-Foot [1.8m] (Minimum) 3-Wire Power Cord
- Stainless Steel Shell (NEMA 4X Models)
- UL/CUL Listed
- Zero ODP Refrigerant

* Transitioning to programmable controls

Accessories & Options

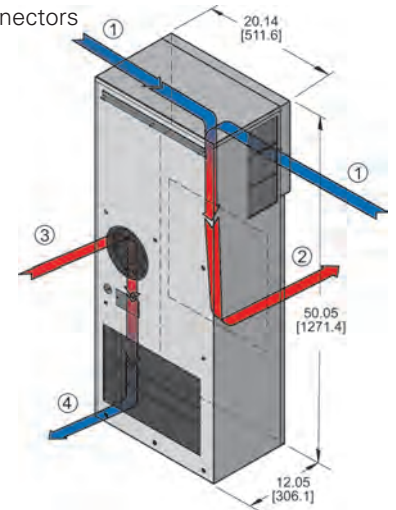
- Compressor Short Cycle Protector
- Enclosure Heater
- Filter Recoating Adhesive
- Lead-Lag Controller
- Other Voltages and Frequencies
- Remote Thermostat Relay
- Replacement Filters (P/N: 13658F)
- Special Motors, Line Cords or Connectors
- Special Materials and Finishes
- Temperature Alarm

Performance



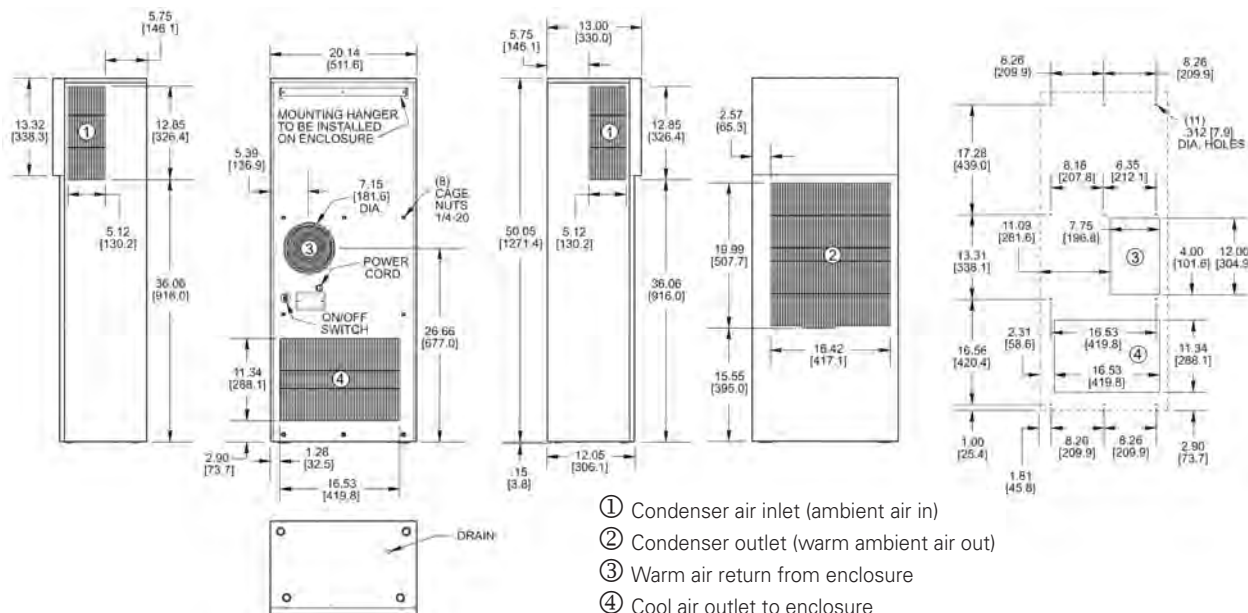
Operation within shaded area not recommended.

* Operation at 50Hz will be 10% less.



Climate Control

Drawings



- Condenser air inlet (ambient air in)
- Condenser outlet (warm ambient air out)
- Warm air return from enclosure
- Cool air outlet to enclosure

Notes: Data subject to change without notice.

Consult factory for special requirements. Dimensions are in inches. Millimeters shown in [] are for reference only.