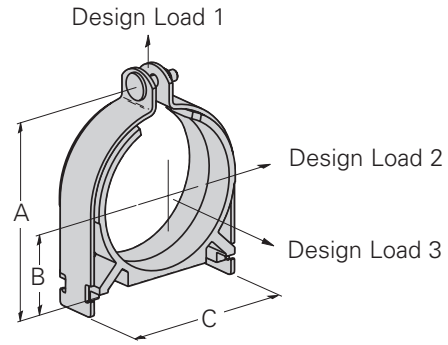


BVP Series VIBRA-CLAMP™ - Iron Pipe & Rigid Conduit

- Safety Factor of 3
- Accesses pipe sizes 1/4" (6) to 6" (150)
- Allows easy one tool installation
- Endures both high (+300°F) and low (-40°F) temperatures
- Dampens vibration and noise
- Eliminates galvanic metal to metal contact
- Resists most industrial oils and solvents
- Reduces thermal loss and gain
- Helps secure pipe firmly to channel (strut)
- Dielectric strength of 400 volts/mil
- Includes cushion, clamp, screw and nut
- Standard finishes: YZN, SS4



| Catalog Number | Nominal Pipe Size | | Steel O.D. Size | | In. A mm | | In. B mm | | In. C mm | | Wt./C Lbs. kg | |
|----------------|-------------------|---------|-----------------|---------|----------|---------|----------|--------|----------|---------|---------------|--------|
| | In. | mm | In. | mm | In. | mm | In. | mm | In. | mm | Lbs. | kg |
| BVP025 | 1/4" | (6.3) | 0.540 | (13.7) | 1.61 | (39.9) | 0.37 | (9.4) | 0.87 | (22.1) | 15 | (6.8) |
| BVP037 | 3/8" | (9.5) | 0.675 | (17.1) | 1.86 | (47.2) | 0.50 | (12.7) | 1.15 | (29.2) | 18 | (8.2) |
| BVP050 | 1/2" | (12.7) | 0.875 | (22.2) | 1.99 | (50.5) | 0.56 | (14.2) | 1.27 | (32.3) | 20 | (9.1) |
| BVP075 | 3/4" | (19.0) | 1.050 | (26.7) | 2.25 | (57.1) | 0.69 | (17.5) | 1.52 | (38.6) | 21 | (9.5) |
| BVP100 | 1" | (25.4) | 1.312 | (33.3) | 2.51 | (63.8) | 0.81 | (20.6) | 1.77 | (45.0) | 20 | (9.1) |
| BVP125 | 1 1/4" | (31.7) | 1.660 | (42.2) | 3.00 | (76.2) | 1.00 | (25.4) | 2.21 | (56.1) | 36 | (16.3) |
| BVP150 | 1 1/2" | (38.1) | 1.900 | (48.3) | 3.21 | (83.1) | 1.12 | (28.4) | 2.41 | (62.3) | 40 | (18.1) |
| BVP200 | 2" | (50.8) | 2.375 | (60.3) | 3.77 | (95.8) | 1.37 | (34.8) | 2.96 | (75.2) | 45 | (20.4) |
| BVP250 | 2 1/2" | (63.5) | 2.875 | (73.0) | 4.28 | (108.7) | 1.62 | (41.1) | 3.46 | (87.9) | 54 | (24.5) |
| BVP300 | 3" | (76.2) | 3.500 | (88.9) | 5.05 | (128.3) | 2.00 | (50.8) | 4.24 | (107.7) | 81 | (36.7) |
| BVP350 | 3 1/2" | (88.9) | 4.000 | (101.6) | 5.55 | (140.9) | 2.25 | (57.1) | 4.74 | (120.3) | 87 | (39.4) |
| BVP400 | 4" | (101.6) | 4.500 | (114.3) | 6.05 | (153.7) | 2.50 | (63.5) | 5.24 | (133.1) | 109 | (49.4) |
| BVP500 | 5" | (127.0) | 5.563 | (141.3) | 6.84 | (173.7) | 3.00 | (76.2) | 6.24 | (158.4) | 136 | (61.6) |
| BVP600 | 6" | (152.4) | 6.625 | (168.3) | 8.24 | (209.3) | 3.56 | (90.4) | 7.36 | (186.9) | 163 | (73.8) |

| Catalog Number | Design Load 1 | | Design Load 2 | | Design Load 3 | |
|----------------|-------------------|--------|-------------------|--------|-------------------|--------|
| | Lbs. ¹ | kN | Lbs. ² | kN | Lbs. ³ | kN |
| BVP025 | 400 | (1.78) | 50 | (0.22) | 50 | (0.22) |
| BVP037 | 600 | (2.67) | 75 | (0.33) | 75 | (0.33) |
| BVP050 | 600 | (2.67) | 75 | (0.33) | 75 | (0.33) |
| BVP075 | 600 | (2.67) | 75 | (0.33) | 75 | (0.33) |
| BVP100 | 600 | (2.67) | 75 | (0.33) | 75 | (0.33) |
| BVP125 | 800 | (3.56) | 125 | (0.56) | 125 | (0.56) |
| BVP150 | 800 | (3.56) | 125 | (0.56) | 125 | (0.56) |
| BVP200 | 800 | (3.56) | 125 | (0.56) | 125 | (0.56) |
| BVP250 | 800 | (3.56) | 125 | (0.56) | 125 | (0.56) |
| BVP300 | 1000 | (4.45) | 200 | (0.89) | 150 | (0.67) |
| BVP350 | 1000 | (4.45) | 200 | (0.89) | 150 | (0.67) |
| BVP400 | 1000 | (4.45) | 200 | (0.89) | 150 | (0.67) |
| BVP500 | 1000 | (4.45) | 200 | (0.89) | 150 | (0.67) |
| BVP600 | 1000 | (4.45) | 200 | (0.89) | 150 | (0.67) |

Reference page 168 for general fitting and standard finish specifications.